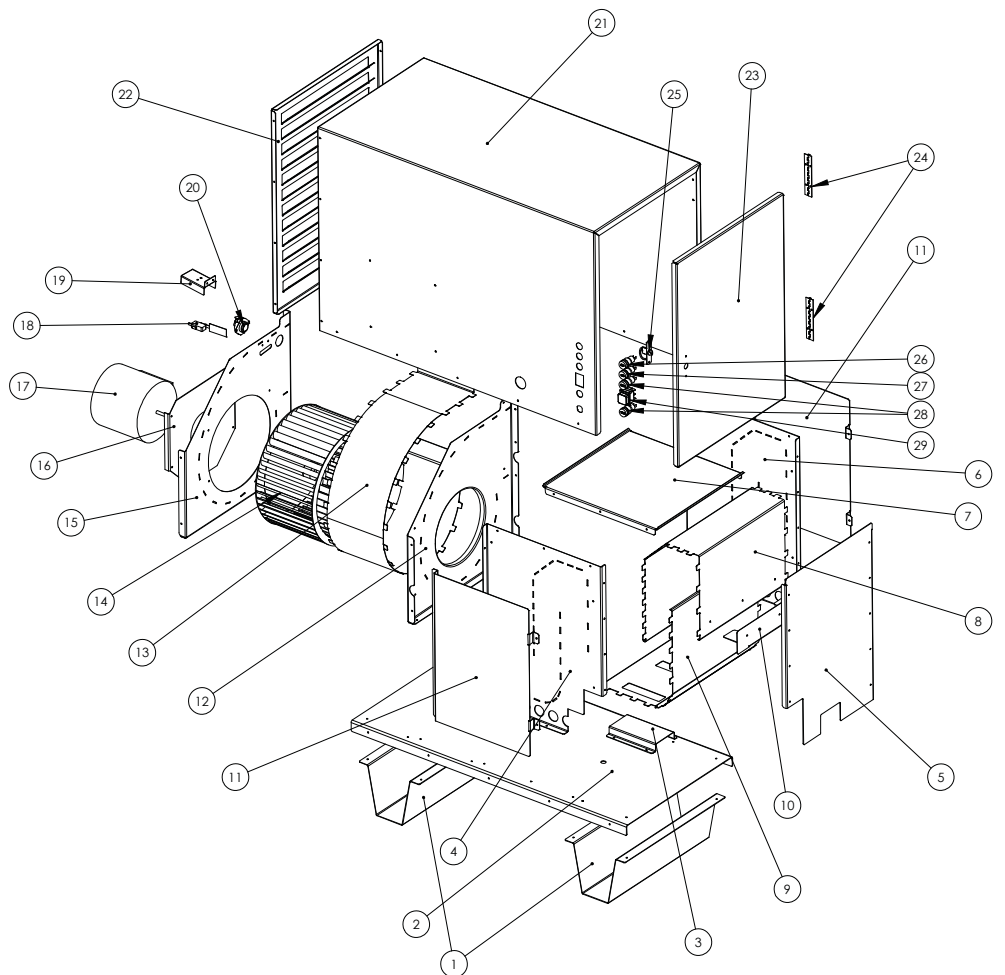
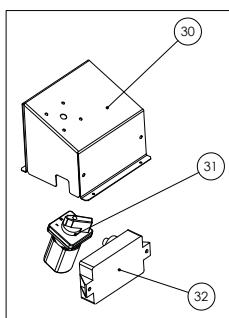
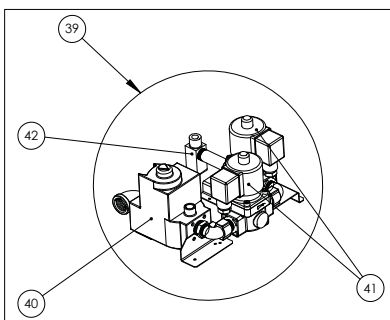
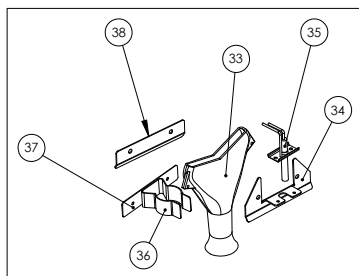
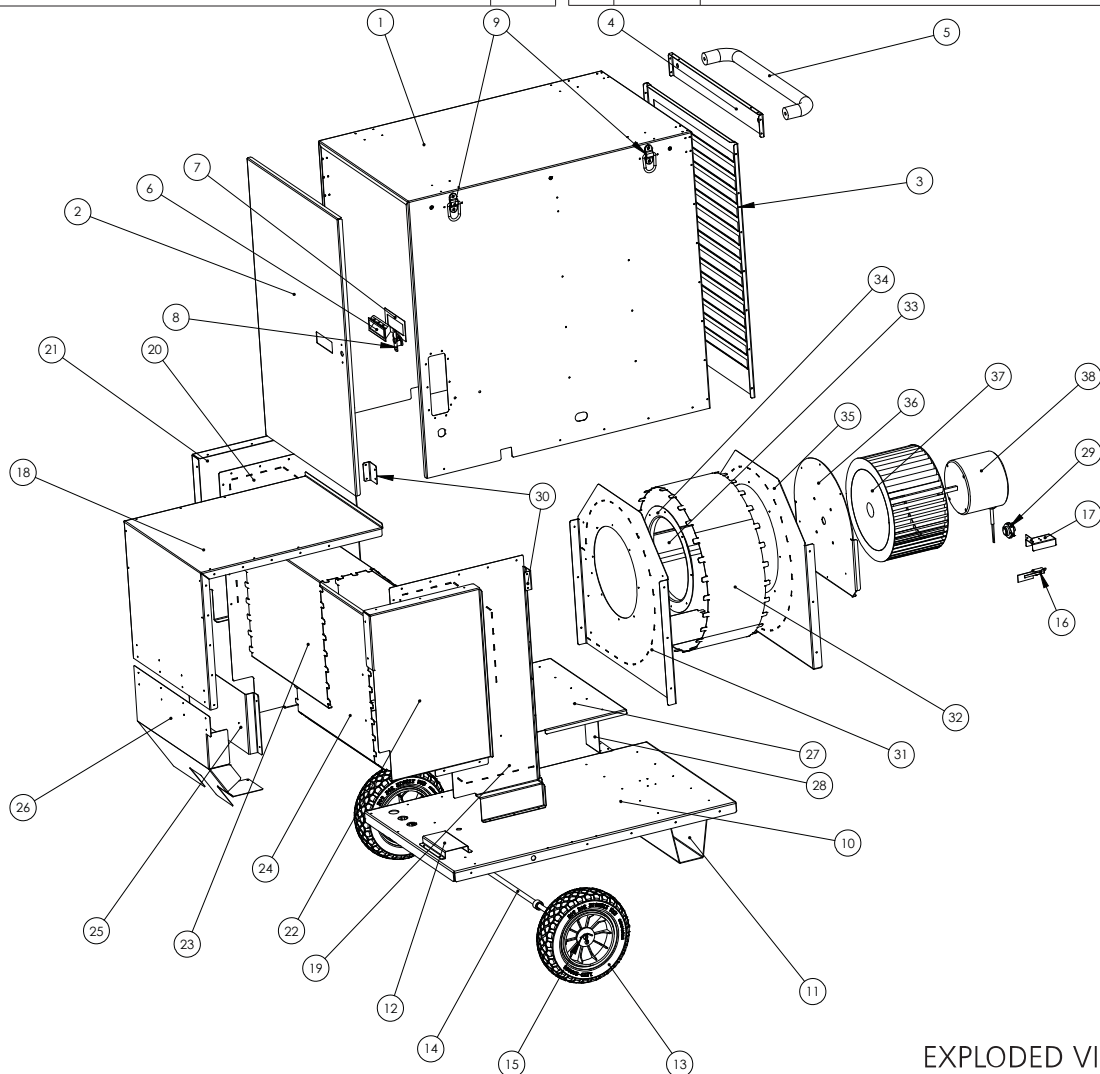


#	P/N	PART DESCRIPTION	QTY	#	P/N	PART DESCRIPTION	QTY
1	60801	HEATER FOOT	2	22	60835	MOTOR DOOR	1
2	60800	HEATER BASE	1	23	60834	CONTROLS DOOR	1
3	60802	SOLENOID SUPPORT	1	24	60837	DOOR HINGE	1
4	60818	COMBUSTION CHAMBER -RIGHT	1	25	60839	D-RING LATCH/LOCK	1
5	60820	COMBUSTION CHAMBER -BACK	1	26	60847	24V RED LED LAMP - FAULT INDICATOR	1
6	60817	COMBUSTION CHAMBER -LEFT	1	27	60846	24V GREEN LED LAMP - GAS VALVE ON INDICATOR	1
7	60819	COMBUSTION CHAMBER -TOP	1	28	60845	120V LED LAMP - GREEN	2
8	60822	COMBUSTION CHAMBER -UPPER FLANGE	1	29	60841	MAIN POWER ROCKER SWITCH	1
9	60821	COMBUSTION CHAMBER -LOWER FLANGE	1	30	60883	SELECTOR SWITCH BRACKET	1
10	60823	LOWER BURNER COVER	1	31	60842	SELECTOR SWITCH	1
11	60824	COMBUSTION CHAMBER -HEAT SHIELD	2	32	27808	FLAME CONTROL BOARD	1
12	60813	INSIDE BLOWER PANEL	1	33	60810	115 BURNER	1
13	60815	BLOWER TUBE	1	34	60827	115 IGNITER BURNER PLATE-FRONT	1
14	60816	115 BLOWER WHEEL	1	35	60139	IGNITER/FLAME SENSE ASSY.	1
15	60812	OUTSIDE BLOWER PANEL	1	36	60831	115 BURNER CLAMP	1
16	60814	MOTOR MOUNTING PLATE	1	37	60832	115 BURNER CLAMP BASE	1
17	60843	115 MOTOR - 1/3HP	1	38	60826	115 IGNITER BURNER PLATE-BACK	1
18	60830	SAIL SWITCH	1	39	00600	GAS TRAIN ASSY.	1
19	60938	SAIL SWITCH BRACKET	1	40	60129	GAS VALVE	1
20	60958	HIGH LIMIT SWITCH	1	41	60848	SOLENOID VALVE	2
21	60833	HEATER COVER	1	42	60809	ORIFICE HOLDER	1



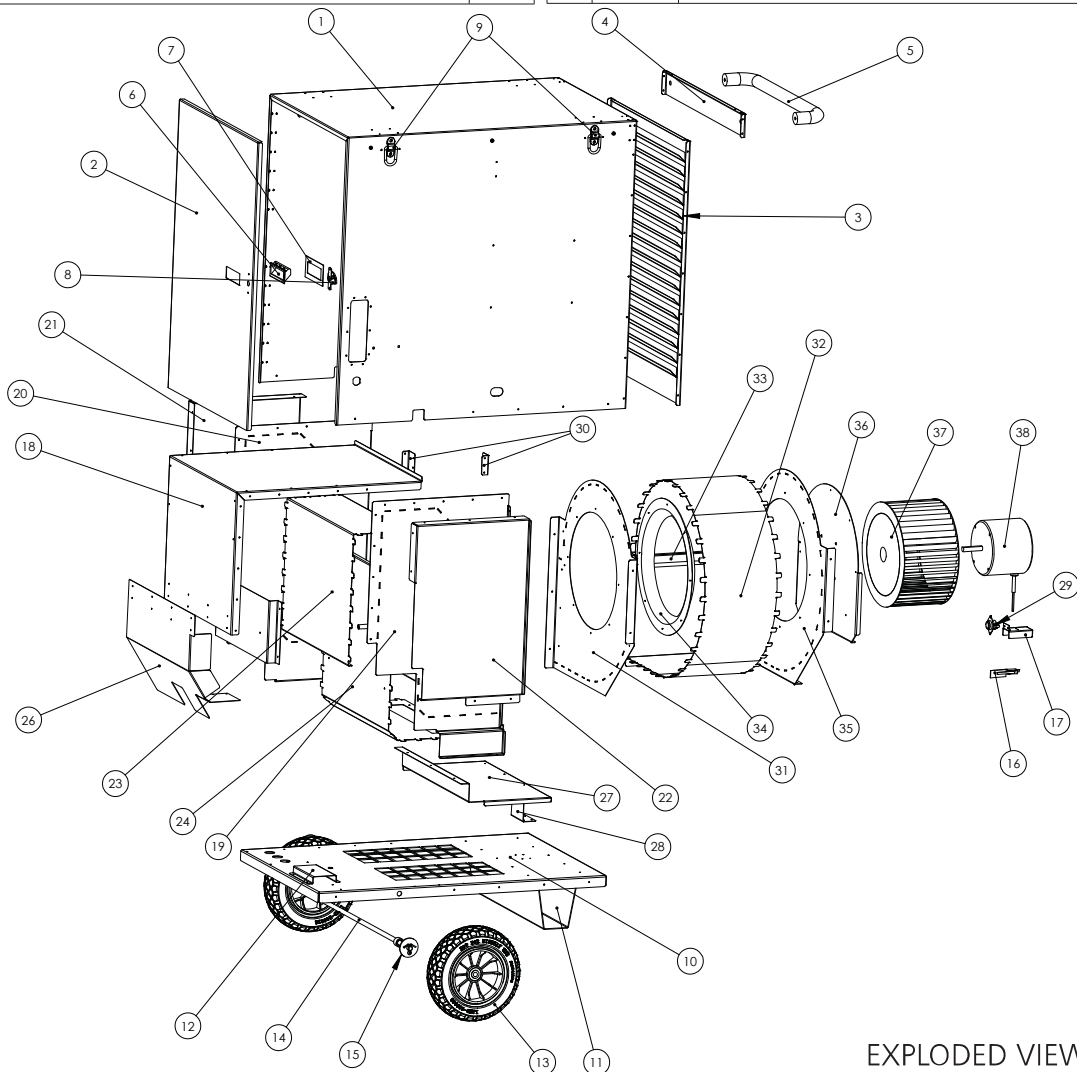
EXPLODED VIEW HS115TC

#	P/N	PART DESCRIPTION	QTY	#	P/N	PART DESCRIPTION	QTY
1	60973	190 COVER	1	22	90924	COMBUSTION CHAMBER-LEFT HEAT SHIELD	1
2	60904	ELECTRICAL DOOR	1	23	60892	COMBUSTION CHAMBER-TOP FLANGE	1
3	60905	MOTOR DOOR	1	24	60893	COMBUSTION CHAMBER-BOTTOM FLANGE	1
4	60906	FIXED PIECE HANDLE MOUNT	1	25	60925	BURNER STAND-OFF	1
5	60908	HANDLE	1	26	60885	COMBUSTION CHAMBER-LOWER HEAT SHIELD	1
6	60916	DOOR HANDLE	1	27	60974	BLOWER SHELF	1
7	60913	DOOR HANDLE SPACER	1	28	60975	BLOWER SHELF SUPPORT	1
8	60917	DOOR LATCH	1	29	60962	HIGH LIMIT SWITCH	1
9	60915	HOIST RINGS	4	30	60894	COMBUSTION CHAMBER SUPPORT	2
10	60884	BASE	1	31	60977	HOUSING RIGHT SIDE	1
11	60901	BASE FOOT	1	32	60978	BLOWER TUBE	1
12	60802	SOLENOID SUPPORT	1	33	60981	HOUSING DEFLECTOR ATTACHMENT	1
13	40940	WHEEL	2	34	60980	HOUSING INLET ADAPTER	1
14	60902	AXEL	1	35	60976	HOUSING LEFT SIDE	1
15	28787	WHEEL HARDWARE KIT	1	36	60979	MOTOR MOUNT	1
16	60851	SAIL SWITCH	1	37	60998	190 BLOWER WHEEL	1
17	60938	SAIL SWITCH BRACKET	1	38	60971	1/2HP MOTOR 190	1
18	60922	COMBUSTION CHAMBER-TOP	1				
19	60891	COMBUSTION CHAMBER-LEFT	1				
20	60890	COMBUSTION CHAMBER-RIGHT	1				
21	60923	COMBUSTION CHAMBER-RIGHT HEAT SHIELD	1				



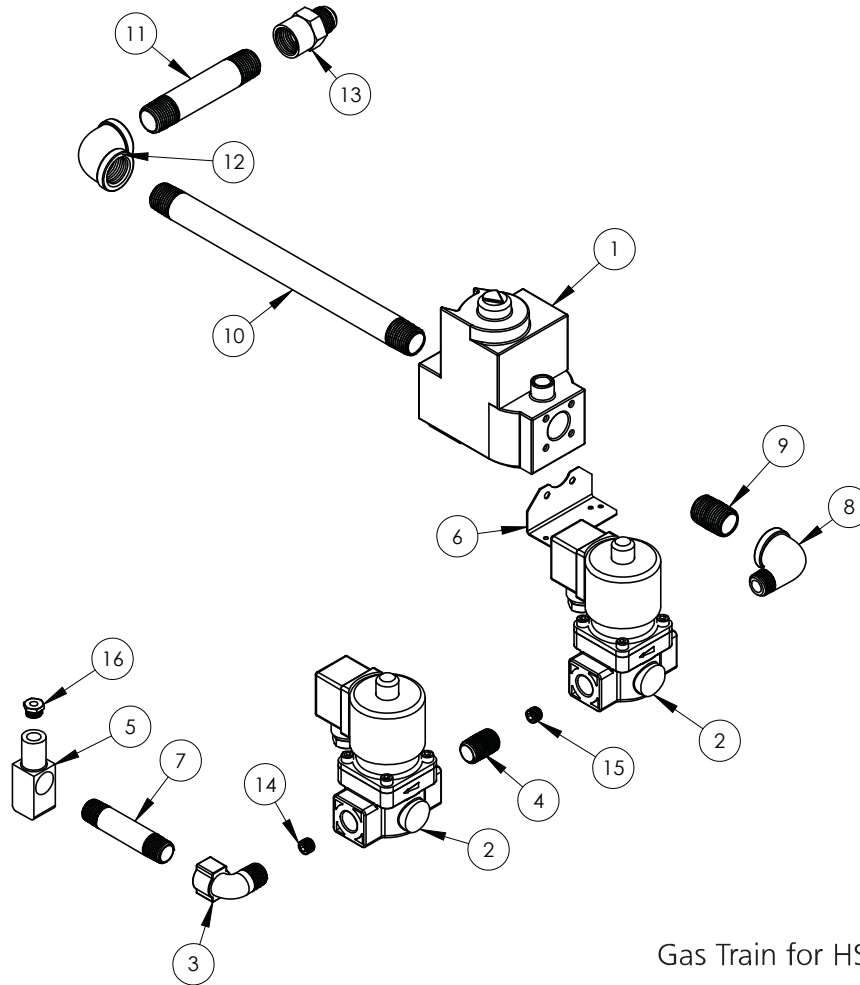
EXPLODED VIEW HS190TC

#	P/N	PART DESCRIPTION	QTY	#	P/N	PART DESCRIPTION	QTY
1	60903	250 COVER	1	22	60924	COMBUSTION CHAMBER-LEFT HEAT SHIELD	1
2	60904	ELECTRICAL DOOR	1	23	60920	COMBUSTION CHAMBER-TOP FLANGE	1
3	60905	MOTOR DOOR	1	24	60921	COMBUSTION CHAMBER-BOTTOM FLANGE	1
4	60906	FIXED PIECE HANDLE MOUNT	1	25	60925	BURNER STAND-OFF	1
5	60908	HANDLE	1	26	60885	COMBUSTION CHAMBER-LOWER HEAT SHIELD	1
6	60916	DOOR HANDLE	1	27	60930	BLOWER SHELF	1
7	60913	DOOR HANDLE SPACER	1	28	60931	BLOWER SHELF SUPPORT	1
8	60917	DOOR LATCH	1	29		HIGH LIMIT SWITCH	1
9	60915	HOIST RINGS	4	30	60894	COMBUSTION CHAMBER SUPPORT	2
10	60900	BASE	1	31	60933	HOUSING RIGHT SIDE	1
11	60901	BASE FOOT	1	32	60934	BLOWER TUBE	1
12	60802	SOLENOID SUPPORT	1	33	60937	HOUSING DEFLECTOR ATTACHMENT	1
13	40940	WHEEL	2	34	60936	HOUSING INLET ADAPTER	1
14	60902	AXEL	1	35	60932	HOUSING LEFT SIDE	1
15	28787	WHEEL HARDWARE KIT	1	36	60935	MOTOR MOUNT	1
16	60851	SAIL SWITCH	1	37	60940	250 BLOWER WHEEL	1
17	60938	SAIL SWITCH BRACKET	1	38	60960	3/4 HP MOTOR 190	1
18	60922	COMBUSTION CHAMBER-TOP	1				
19	60919	COMBUSTION CHAMBER-LEFT	1				
20	60918	COMBUSTION CHAMBER-RIGHT	1				
21	60923	COMBUSTION CHAMBER-RIGHT HEAT SHIELD	1				



EXPLODED VIEW HS250TC

#	P/N	PART DESCRIPTION	QTY	#	P/N	PART DESCRIPTION	QTY
1	60129	HONEYWELL GAS VALVE	1	11	02724	1/2" X 4" PIPE NIPPLE	1
2	60848	SOLENOID VALVE	2	12	60957	1/2" X 1/2" ELBOW	1
3	70597	3/8" FPT X 3/8" MPT - STREET ELBOW	1	13	02744	1/2" MALE FLARE	1
4	60804	3/8" PIPE CLOSE NIPPLE	1	14-A	60881	250 BYPASS ORIFICE 1	1
5	60948	ORIFICE HOLDER	1	15-A	60882	250 BYPASS ORIFICE 2	1
6	60949	GAS VALVE BRACKET	1	16-A	60880	250 MAIN ORIFICE	1
7	60805	3/8" X 3 PIPE NIPPLE	1	14-B	60878	190 BYPASS ORIFICE 1	1
8	60955	1/2" FPT X 3/8" MPT - STREET ELBOW	1	15-B	60879	190 BYPASS ORIFICE 2	1
9	60954	1/2" PIPE CLOSE NIPPLE	1	16-B	60887	190 BYPASS ORIFICE 2	1
10	60956	1/2" X 10" PIPE NIPPLE	1				



Gas Train for HS190TC & HS250TC

WARNING:

USE ONLY MANUFACTURER'S REPLACEMENT PARTS. USE OF ANY OTHER PARTS COULD CAUSE INJURY OR DEATH. REPLACEMENT PARTS ARE ONLY AVAILABLE DIRECT FROM THE FACTORY AND MUST BE INSTALLED BY A QUALIFIED SERVICE AGENCY.

FOR SERVICE OR PARTS INQUIRIES

PLEASE CALL: 866-447-2194 OR 216-916-3000
VISIT: WWW.HEATSTARBYENERCO.COM

INQUIRIES IN CANADA ONLY

PLEASE CALL: 877-477-3353
VISIT IPSPower.COM

COROPORATE ADDRESS

HEATSTAR BY ENERCO
4560 WEST 160TH STREET
CLEVELAND, OHIO 44135

OUR OFFICE HOURS ARE 8:00 AM -5:00 PM EST MONDAY-FRIDAY

WHEN CONTACTING US:

PLEASE HAVE YOUR SERIAL NUMBER AND MODEL NUMBER HANDY. THESE CAN BOTH BE LOCATED ON THE RATING LABEL LOCATED ON THE INSIDE OF THE ACCESS PANEL.
RETAIN THIS MANUAL FOR FUTURE REFERENCE.