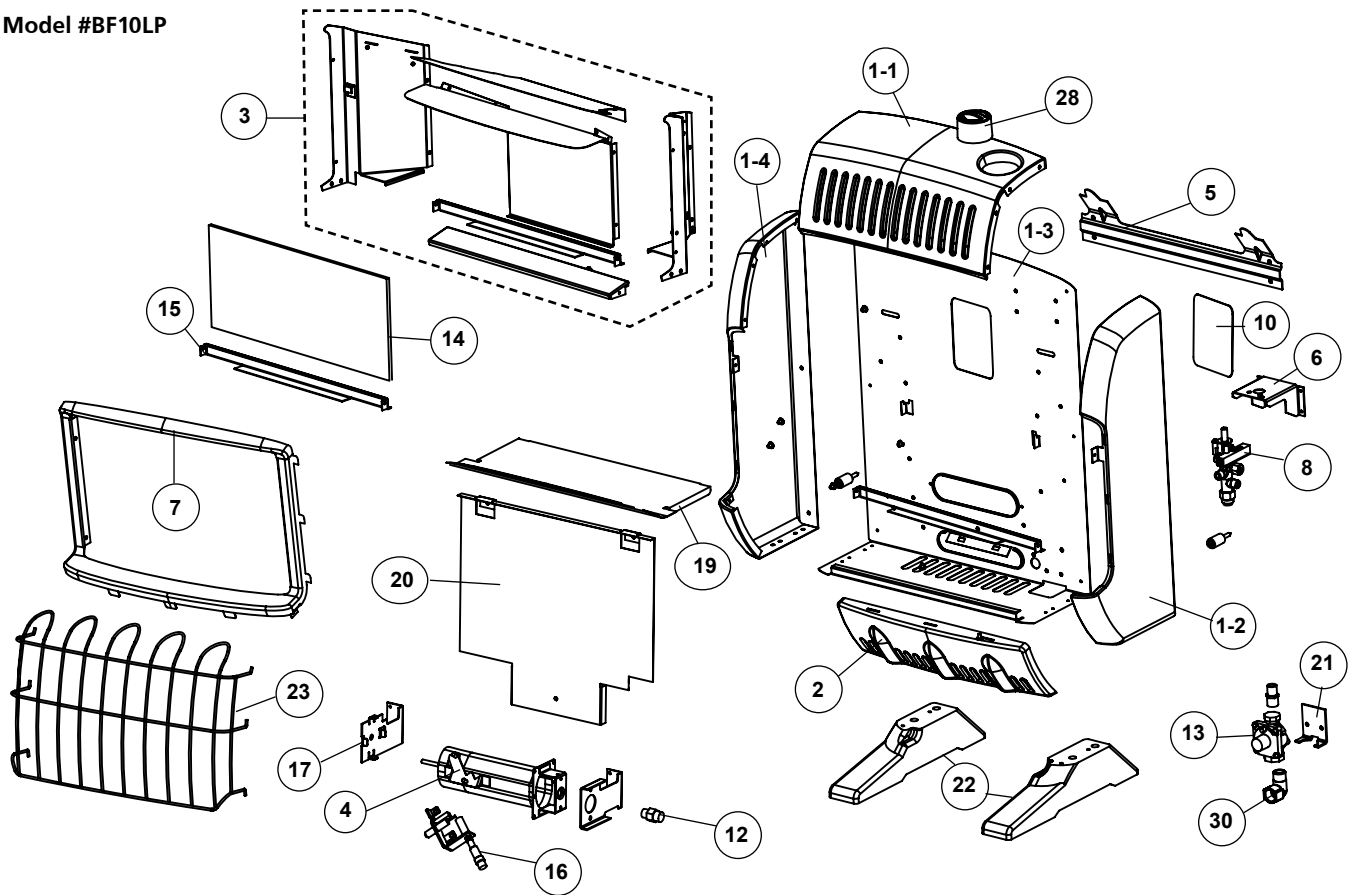
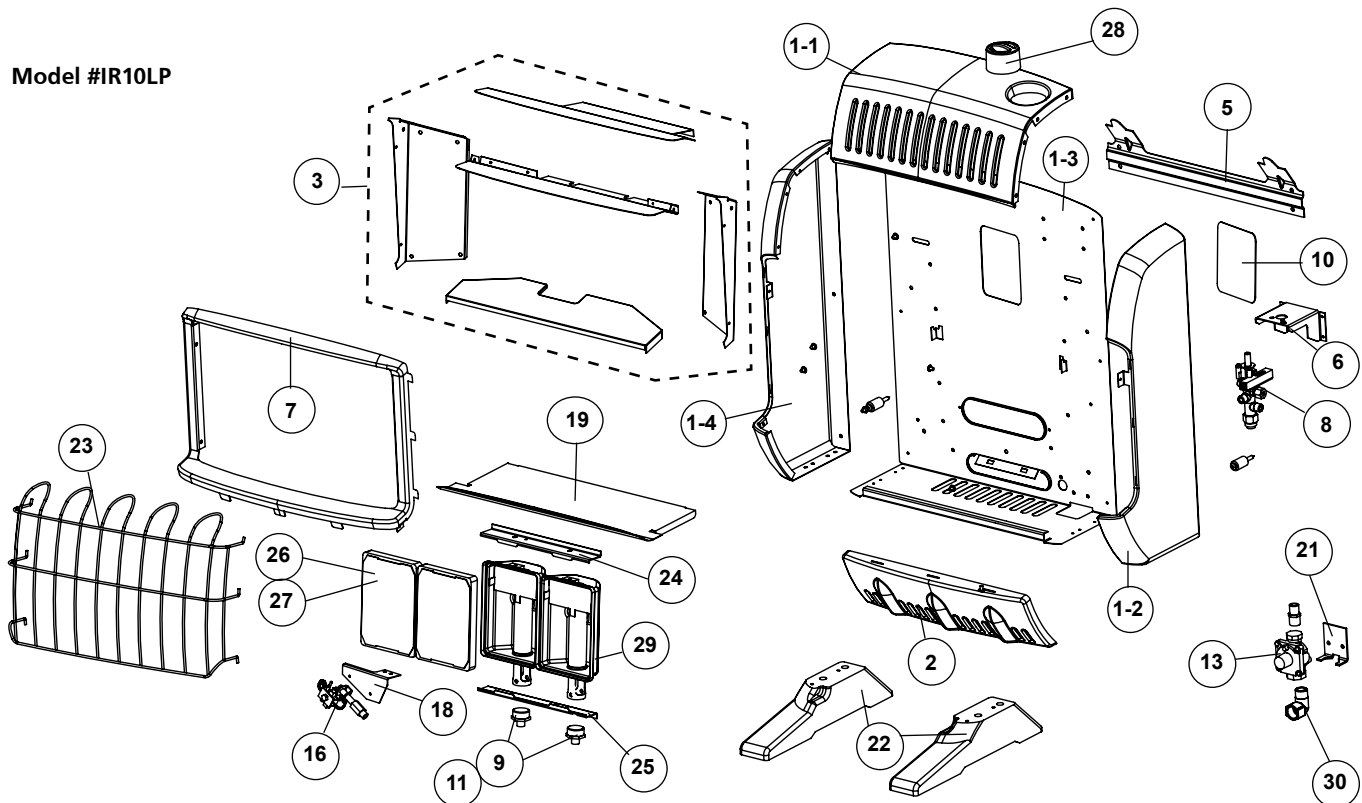


Model #BF10LP



Model #IR10LP



## IR10LP and BF10LP • PARTS LIST

This list contains replacement parts used in your heater. When ordering parts, follow the instructions listed under Replacement Parts on page 16 of this manual.

ITEM	PART NO.		DESCRIPTION	QTY.
	IR10LP	BF10LP		
1	70300	70300	Cabinet Assembly	1
1-1	70301	70301	Cabinet Top Panel	1
1-2	70302	70302	Cabinet Right Panel	1
1-3	70303	70303	Cabinet back Panel	1
1-4	70304	70304	Cabinet Left Panel	1
2	70305	70305	Lower Front panel assembly	1
3	70312	70312	Reflector Assembly	1
4	---	70319	Burner Assembly	1
5	70320	70320	Wall Mounting Bracket	1
6	70321	70321	Valve Mounting bracket	1
7	70820	70820	Bezel, 10K, Only, Vent Free	1
8	70323	70324	Valve / Piezo Assembly	1
9	70825	---	Holder, Orifice, Vent Free	2
10	70325	---	Back Plate	1
11	70841	---	Orifice, IR	2
12	---	70845	Orifice, BF	1
13	70357	70357	Pressure regulator	1
14	---	70326	Glass	1
15	---	70327	Glass Mounting Bracket	1
16	70365	70365	ODS / Pilot Assembly	1
17	---	70826	Bracket, Burner, Mtg, Blue Flame, Vent Free	1
18	70655	---	ODS mounting bracket	1
19	70396	70396	Heat Shield – Top	1
20	---	70331	Heat Shield – Back	1
21	70663	70663	Regulator Mounting Bracket	1
22	70665	70665	Floor mount feet	2
23	70898	70898	Guard, VF, Wire, 10K	1
24	70336	---	Bracket, Top, Plenum, Assembly	1
25	70336	---	Bracket, Bottom, Plenum Assembly	1
26	70677	---	Burner Plaques, 10	2
27	70678	---	Plaque Gasket, 10	2
28	70337	70337	Control Valve Knob	1
29	70829	---	Plenum, Burner, IR	2
30	70597	70597	3/8" FTP x 3/8" MPT Elbow	
*	70342	70342	* Hardware kit	1

\* Item Not Shown \*\* Must purchase assembly