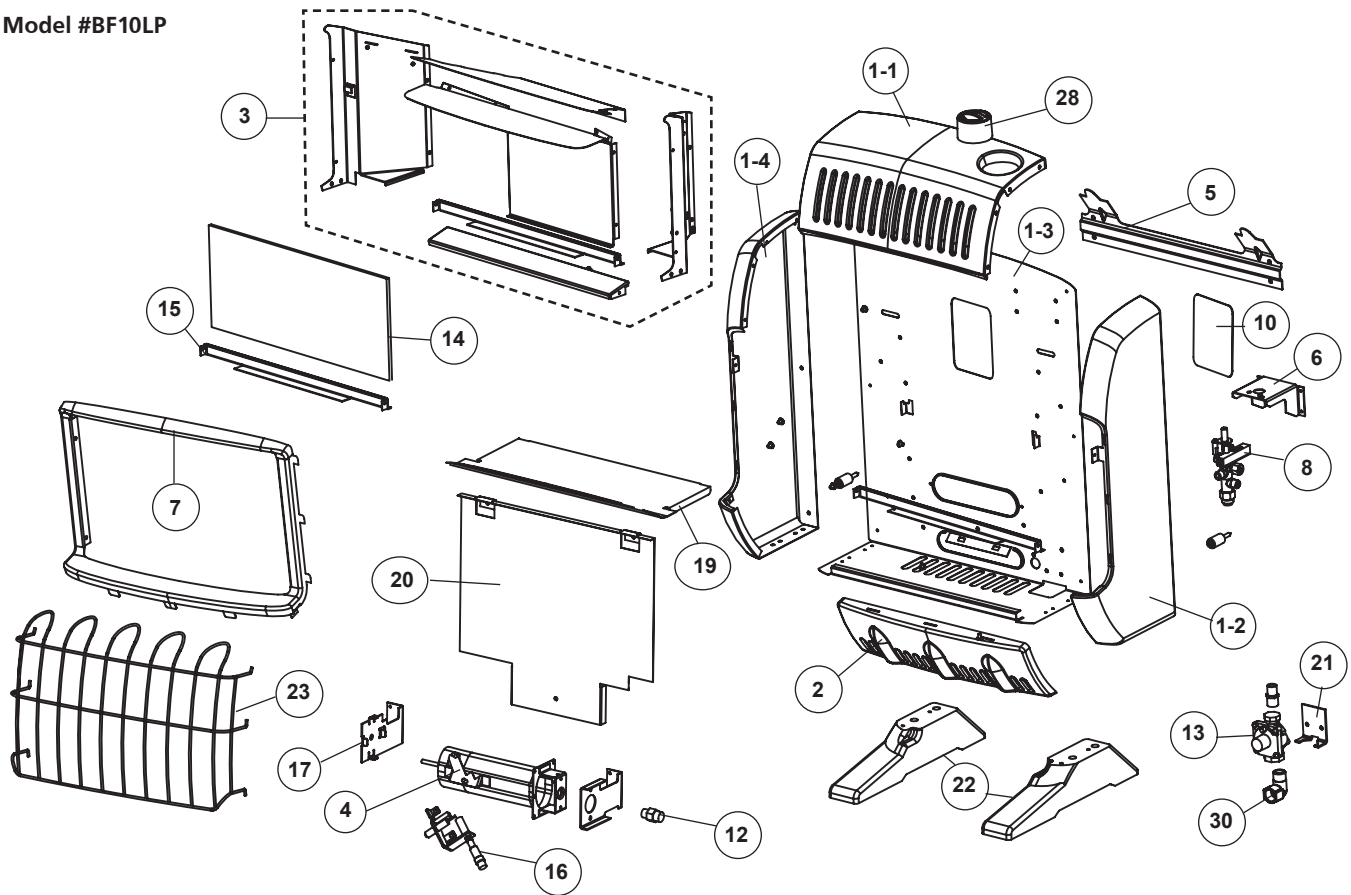
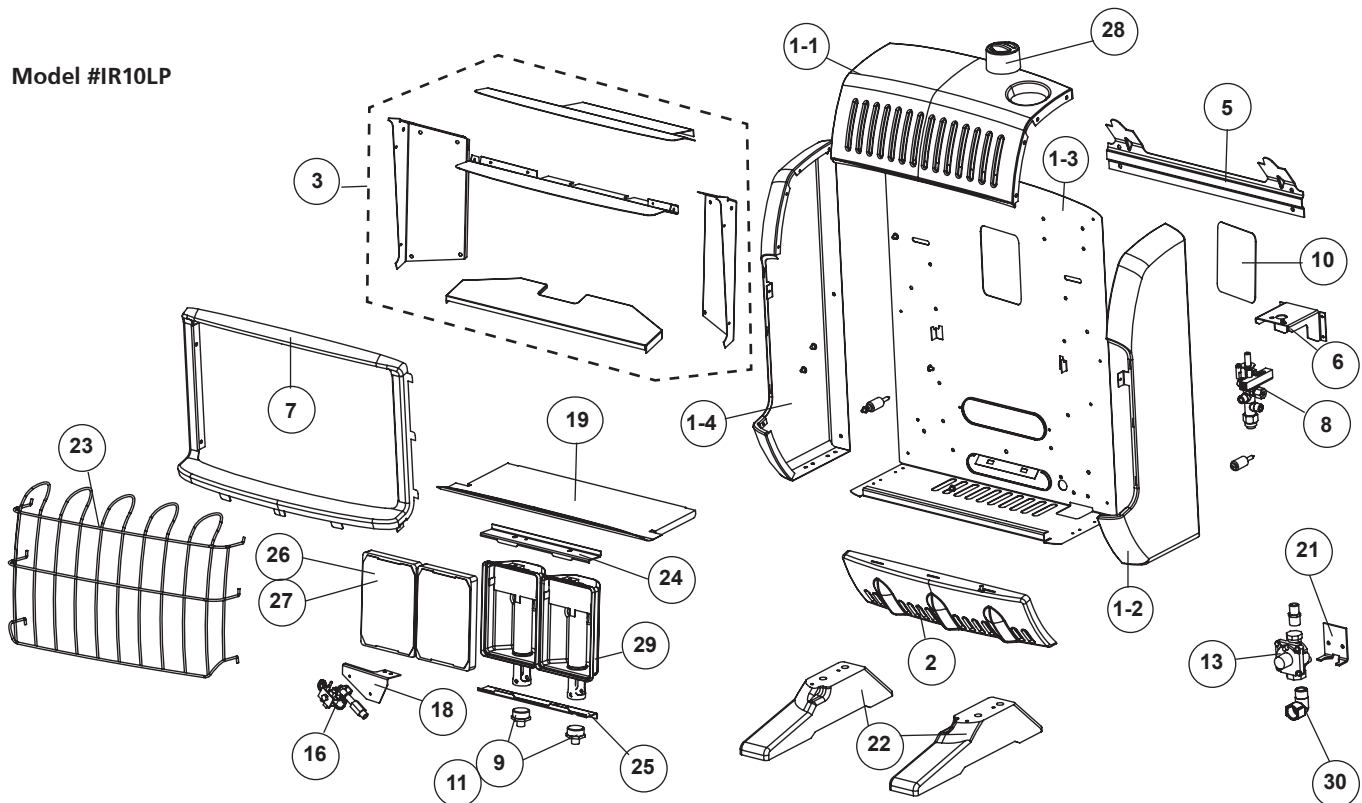


UNVENTED LP-GAS FIRED ROOM HEATER • Model #IR10LP/ BF10LP

Model #BF10LP



Model #IR10LP



IR10LP and BF10LP • PARTS LIST

This list contains replacement parts used in your heater. When ordering parts, follow the instructions listed under Replacement Parts on page 16 of this manual.

| ITEM | PART NO. | | DESCRIPTION | QTY. |
|------|----------|--------|---|------|
| | IR10LP | BF10LP | | |
| 1 | 70300 | 70300 | Cabinet Assembly | 1 |
| 1-1 | 70301 | 70301 | Cabinet Top Panel | 1 |
| 1-2 | 70302 | 70302 | Cabinet Right Panel | 1 |
| 1-3 | 70303 | 70303 | Cabinet back Panel | 1 |
| 1-4 | 70304 | 70304 | Cabinet Left Panel | 1 |
| 2 | 70305 | 70305 | Lower Front panel assembly | 1 |
| 3 | 70312 | 70312 | Reflector Assembly | 1 |
| 4 | --- | 70319 | Burner Assembly | 1 |
| 5 | 70320 | 70320 | Wall Mounting Bracket | 1 |
| 6 | 70321 | 70321 | Valve Mounting bracket | 1 |
| 7 | 70820 | 70820 | Bezel, 10K, Only, Vent Free | 1 |
| 8 | 70323 | 70324 | Valve / Piezo Assembly | 1 |
| 9 | 70825 | --- | Holder, Orifice, Vent Free | 2 |
| 10 | 70325 | --- | Back Plate | 1 |
| 11 | 70841 | --- | Orifice, IR | 2 |
| 12 | --- | 70845 | Orifice, BF | 1 |
| 13 | 70357 | 70357 | Pressure regulator | 1 |
| 14 | --- | 70326 | Glass | 1 |
| 15 | --- | 70327 | Glass Mounting Bracket | 1 |
| 16 | 70365 | 70365 | ODS / Pilot Assembly | 1 |
| 17 | --- | 70826 | Bracket, Burner, Mtg, Blue Flame, Vent Free | 1 |
| 18 | 70655 | --- | ODS mounting bracket | 1 |
| 19 | 70396 | 70396 | Heat Shield – Top | 1 |
| 20 | --- | 70331 | Heat Shield – Back | 1 |
| 21 | 70663 | 70663 | Regulator Mounting Bracket | 1 |
| 22 | 70665 | 70665 | Floor mount feet | 2 |
| 23 | 70898 | 70898 | Guard, VF, Wire, 10K | 1 |
| 24 | 70336 | --- | Bracket, Top, Plenum, Assembly | 1 |
| 25 | 70336 | --- | Bracket, Bottom, Plenum Assembly | 1 |
| 26 | 70677 | --- | Burner Plaques, 10 | 2 |
| 27 | 70678 | --- | Plaque Gasket, 10 | 2 |
| 28 | 70337 | 70337 | Control Valve Knob | 1 |
| 29 | 70829 | --- | Plenum, Burner, IR | 2 |
| 30 | 70597 | 70597 | 3/8" FTP x 3/8" MPT Elbow | |
| * | 70342 | 70342 | * Hardware kit | 1 |

* Item Not Shown ** Must purchase assembly