



# OPERATING INSTRUCTIONS AND OWNER'S MANUAL

Model #  
ERXL-40 ERXL-60  
ERXL-80 ERXL-100  
ERXL-125 ERXL-150  
ERXL-175

**READ INSTRUCTIONS CAREFULLY:** YOUR SAFETY IS IMPORTANT TO YOU AND TO OTHERS Read and follow all instructions. Place instructions in a safe place for future reference. Do not allow anyone who has not read these instructions to assemble, light, adjust or operate the heater.



## Heatstar ERXL

Gas-Fired Low-Intensity Infrared Heaters Approved  
For Residential Garage/Commercial Applications

### LANGUAGES INCLUDED

- ENGLISH
- FRENCH
- SPANISH

**⚠ WARNING:** Improper installation, adjustment, alteration, service or maintenance can cause property damage, injury or death. Read the installation, operating and maintenance instructions thoroughly before installing or servicing this equipment.

#### - WHAT TO DO IF YOU SMELL GAS

- Open Windows
- **DO NOT** try to light any appliance.
- **DO NOT** use electrical switches.
- **DO NOT** use any telephone in your house. Immediately call your local gas supplier from a telephone remote from the area of the leak. Follow the gas supplier's instructions.
- **Do not** touch any electrical switch; do not use any phone in your building.
- Installation and service must be performed by a qualified installer, service agency, or the gas supplier.
- If you cannot reach your gas supplier, call the Fire Department.

#### FOR YOUR SAFETY:

Do not store or use gasoline or other flammable vapors and liquids in the vicinity of this or any other appliance.

**WARNING:** If the information in these instructions are not followed exactly, a fire or explosion may result causing property damage, personal injury or loss of life.

**WARNING:**

⚠ YOUR SAFETY IS IMPORTANT TO YOU AND TO OTHERS, SO PLEASE READ THESE INSTRUCTIONS BEFORE YOU OPERATE THIS HEATER.

**GENERAL HAZARD WARNING:**

- ⚠ FAILURE TO COMPLY WITH THE PRECAUTIONS AND INSTRUCTIONS PROVIDED WITH THIS HEATER, CAN RESULT IN DEATH, SERIOUS BODILY INJURY AND PROPERTY LOSS OR DAMAGE FROM HAZARDS OF FIRE, EXPLOSION, BURN, ASPHYXIATION, CARBON MONOXIDE POISONING, AND/OR ELECTRICAL SHOCK.
- ⚠ ONLY PERSONS WHO CAN UNDERSTAND AND FOLLOW THE INSTRUCTIONS SHOULD USE OR SERVICE THIS HEATER.
- ⚠ IF YOU NEED ASSISTANCE OR HEATER INFORMATION SUCH AS AN INSTRUCTIONS MANUAL, LABELS, ETC. CONTACT THE MANUFACTURER.

**WARNING:**

⚠ FIRE, BURN, INHALATION, AND EXPLOSION HAZARD. KEEP SOLID COMBUSTIBLES, SUCH AS BUILDING MATERIALS, PAPER OR CARDBOARD, A SAFE DISTANCE AWAY FROM THE HEATER AS RECOMMENDED BY THE INSTRUCTIONS NEVER USE THE HEATER IN SPACES WHICH DO OR MAY CONTAIN VOLATILE OR AIRBORNE COMBUSTIBLES, OR PRODUCTS SUCH AS GASOLINE, SOLVENTS, PAINT THINNER, DUST PARTICLES OR UNKNOWN CHEMICALS.

**⚠WARNING:**

THIS PRODUCT CAN EXPOSE YOU TO CHEMICALS INCLUDING LEAD AND LEAD COMPOUNDS, WHICH ARE KNOWN TO THE STATE OF CALIFORNIA TO CAUSE CANCER AND BIRTH DEFECTS OR OTHER REPRODUCTIVE HARM. FOR MORE INFORMATION VISIT WWW.P65WARNINGS.CA.GOV

**⚠WARNING:** Fuels used in liquefied propane gas appliances, and the products of combustion of such fuel, can expose you to chemicals including benzene, which is known to the state of California to cause cancer and cause birth defects or other reproductive harm, for more information go to [www.P65Warnings.ca.gov](http://www.P65Warnings.ca.gov)

**CONTENTS**

Section 1 INTRODUCTION ..... 2

Section 2 PLANNING..... 3

Section 3 INSTALLATION & ASSEMBLY ..... 6

Section 4 ENGINEERING SPECIFICATIONS ..... 13

Section 5 VENTING/DUCTING ..... 14

Section 6 GAS PIPING ..... 17

Section 7 WIRING ..... 18

Section 8 OPERATION MAINTENANCE ..... 18

Section 9 TROUBLESHOOTING..... 21

REPLACEMENT PARTS..... 22

WARRANTY INFORMATION ..... 28

**SECTION 1:Introduction**

Heatstar ERXL models are low-cost, field assembled infrared heaters that are easy to install and require only minimal maintenance. They are designed to provide years of economical operation and trouble-free service.

**Checking Shipment**

Check the shipment against the Bill of Lading for shortages. Also, check for external damage to cartons. Note any shortages, and/or external damage to cartons on the Bill of Lading in the presence of the delivery trucker. The delivery trucker should acknowledge any shortages or damage by initializing this “noted” Bill of Lading. Immediately report any claims for damaged material, or shortages that were not evident at the time of shipment, to the carrier and your Enerco Group, Inc Factory Representative.

**Installer Responsibility**

All heaters and associated gas piping should be installed in accordance with applicable specifications and this installation made only by firms (or individuals) well qualified in this type of work. Consult local building inspectors, Fire Marshals or your local Enerco Group, Inc Factory Representative for guidance. Heatstar ERXL heaters are installed on the basis of information given in a layout drawing, which together with the cited codes and regulations, comprise the basic information needed to complete the installation. The installer must furnish all needed material that is not furnished as standard equipment, and it is his responsibility to see that such materials, as well as the installation methods he uses result in a job that is workmanlike and in compliance with all applicable codes. Enerco Group, Inc Factory Representatives have had training and experience in the application of this equipment and can be called on for suggestions about installation which can save material and money.

## SECTION 2: Planning

The following codes and instructions should be followed when planning the installation of the Heatstar ERXL heater. In addition to these instructions, the warnings in (Section 1) must be carefully adhered to since improper installation may lead to property damage, injury, or death.

### National Standards and Applicable Codes

#### Gas Codes:

The type of gas appearing on the nameplate must be the type of gas used. Installation must comply with local codes and recommendations of the local gas company, and the National Fuel Gas Code, ANSI Z223.1 – latest revision, (same as NFPA Bulletin 54) or the Natural Gas and Propane Installation Code, CSA B149.1.

- Clearance between the heater and its vent and adjacent combustible material (which is part of the building or its contents) shall be maintained to conform with the Standard for Installation of Gas Appliances and Gas Piping, NFPA-54 / ANSI Z223.1 – latest revision, National Fuel Gas Code or the Natural Gas and Propane Installation Code, CSA B149.1.

#### Aircraft Hangers:

Installation in aircraft hangers must be in accordance with the Standard for Aircraft Hangers, ANSI / NFPA-409 – latest revision.

- Heaters in aircraft storage or service areas shall be installed at a height of 10 feet above the upper surface of wings or engine enclosures of the highest aircraft which may be housed in the hanger. (This should be measured from the bottom of the heater to the wing or engine enclosure, whichever is highest from the floor.)
- In other sections of aircraft hangers, such as shops or offices, heaters must not be installed less than 8 feet above the floor.
- Heaters installed in aircraft hangers shall be located so as not to be subject to damage by aircraft, cranes, moveable scaffolding or other objects.

#### Public Garages:

Installations in garages must be made in accordance with the Standard for Parking Structures, NFPA-88A – latest revision or the Standard for Repair Garages, NFPA-88B – latest revision.

- Heaters must not be installed less than 8 feet above the floor. Minimum clearances to combustibles must be maintained from vehicles parked below the heater.
- When installed over hoists, minimum clearances to combustibles must be maintained from the uppermost point on the hoist.

#### Venting:

The venting must be installed in accordance with NFPA-54 / ANSI Z223.1 or CSA 149.1– latest revision, National Fuel Gas Code. Partial information with regard to this code is provided in (Section 5) of this installation manual with regard to size and configurations for venting arrangements.

- Any portion of flue pipe passing through a combustible wall must be dual insulated or have an approved thimble. Refer to ANSI-Z223.1 or CSA149.1– latest revision.

#### Hazardous Locations:

Where there is the possibility of exposure to combustible airborne material or vapor, consult the local Fire Marshal, the fire insurance carrier or other authorities for approval of the proposed installation.

### Critical Considerations

Heatstar ERXL is a suspended heater. Therefore, its stability, flexibility, and safety are very important. Before starting installation, be sure the system can meet the following requirements.

- Maintain specified clearances to combustibles, and safe distance from the heat-sensitive material, equipment and work stations.
- The stated clearances to combustibles represent a surface temperature of 90°F (30°C) above room temperature. Building materials with low heat tolerance (such as plastic, vinyl siding, canvas, etc.) may be subject to degradation at lower temperatures. It is the installers responsibility to assure that adjacent materials are protected from degradation.
- Provide a suspension with vertical length of chain or swinging rod which has at least 2 inches of horizontal travel for each burner in a straight run. Be sure the suspension system is sufficiently flexible to accommodate thermal expansion which occurs as the system heats up (see Figure 6 on page 12).
- Provide access to burners for servicing, preferable on both sides, above and behind the burner for removal.
- Provide a minimum of 18 inches of clearance between burners and building walls. (Always observe minimum clearances to combustibles.)
- Be sure the heater has a downward pitch of one-half inch per 20 feet away from the burner. (1.25 cm per 6.1 m)
- Provide signs in storage areas to specify maximum stacking height to maintain required clearances to combustibles.
- Plan location supports (see Figure 2A-G starting on page 8). Locate a support near all elbows.
- The installation must conform with local building codes or in the absence of local codes, with the National Fuel Gas Code, ANSI Z223.1/NFPA 54 or the Natural Gas and Propane Installation Code, CSA B149.1.
- If an external electrical source is utilized, the heater, when installed, must be electrically grounded in accordance with the National Electrical Code, ANSI/ NFPA 70 or current Canadian Electrical Code, CSA C22.1.

#### Available Venting Kits

F102848	4" Vertical Vent Kit
F102849	6" Vertical Vent Kit
F102860	4" Stainless Steel Horizontal Vent Kit

# Clearances To Combustibles

**TABLE 1:** Minimum Clearances to Combustibles (Use Figure 1 on page 5 as a Guide)

Reflector Type	Position	ERXL-40	ERXL-60	ERXL-80	ERXL-100	ERXL-125	ERXL-150	ERXL-175
Standard Reflector (Horizontal)	A	6" (15.25cm)	6" (15.25cm)	6" (15.25cm)	6" (15.25cm)	6" (15.25cm)	6" (15.25cm)	8" (20.5 cm)
	B	30" (76.25 cm)	30" (76.25 cm)	36" (30.5 cm)	36" (30.5 cm)	36" (30.5 cm)	36" (30.5 cm)	36" (30.5 cm)
	C	55" (140 cm)	55" (140 cm)	55" (140 cm)	74" (188 cm)	87" (221 cm)	87" (221 cm)	87" (221 cm)
	D	30" (76.25 cm)	30" (76.25 cm)	36" (30.5 cm)	36" (30.5 cm)	36" (30.5 cm)	36" (30.5 cm)	36" (30.5 cm)
45° Reflector Tilt	A	12" (30.5 cm)	12" (30.5 cm)	18" (46 cm)	18" (46 cm)	18" (46 cm)	18" (46 cm)	18" (46 cm)
	B	30" (76.25 cm)	30" (76.25 cm)	36" (30.5 cm)	36" (30.5 cm)	36" (30.5 cm)	36" (30.5 cm)	36" (30.5 cm)
	C	55" (140 cm)	55" (140 cm)	55" (140 cm)	74" (188 cm)	87" (221 cm)	87" (221 cm)	87" (221 cm)
	E	36" (30.5 cm)	36" (30.5 cm)	36" (30.5 cm)	36" (30.5 cm)	36" (30.5 cm)	36" (30.5 cm)	36" (30.5 cm)
	F	60" (152.5 cm)	60" (152.5 cm)	60" (152.5 cm)	60" (152.5 cm)	60" (152.5 cm)	60" (152.5 cm)	60" (152.5 cm)
U-Tube Standard (Horizontal)	A	6" (15.25cm)	6" (15.25cm)	6" (15.25cm)	6" (15.25cm)	6" (15.25cm)	6" (15.25cm)	8" (20.5 cm)
	B	30" (76.25 cm)	30" (76.25 cm)	36" (30.5 cm)	36" (30.5 cm)	36" (30.5 cm)	36" (30.5 cm)	36" (30.5 cm)
	C	55" (140 cm)	55" (140 cm)	55" (140 cm)	74" (188 cm)	87" (221 cm)	87" (221 cm)	87" (221 cm)
	D	30" (76.25 cm)	30" (76.25 cm)	36" (30.5 cm)	36" (30.5 cm)	36" (30.5 cm)	36" (30.5 cm)	36" (30.5 cm)
U-Tube Opposite 45°	A	12" (30.5 cm)	12" (30.5 cm)	18" (46 cm)	18" (46 cm)	18" (46 cm)	18" (46 cm)	18" (46 cm)
	B	30" (76.25 cm)	30" (76.25 cm)	36" (30.5 cm)	36" (30.5 cm)	36" (30.5 cm)	36" (30.5 cm)	36" (30.5 cm)
	C	55" (140 cm)	55" (140 cm)	55" (140 cm)	74" (188 cm)	87" (221 cm)	87" (221 cm)	87" (221 cm)
	F	60" (152.5 cm)	60" (152.5 cm)	60" (152.5 cm)	60" (152.5 cm)	60" (152.5 cm)	60" (152.5 cm)	60" (152.5 cm)
U-Tube Full 45°	A	12" (30.5 cm)	12" (30.5 cm)	18" (46 cm)	18" (46 cm)	18" (46 cm)	18" (46 cm)	18" (46 cm)
	B	30" (76.25 cm)	30" (76.25 cm)	36" (30.5 cm)	36" (30.5 cm)	36" (30.5 cm)	36" (30.5 cm)	36" (30.5 cm)
	C	55" (140 cm)	55" (140 cm)	55" (140 cm)	74" (188 cm)	87" (221 cm)	87" (221 cm)	87" (221 cm)
	E	36" (30.5 cm)	36" (30.5 cm)	36" (30.5 cm)	36" (30.5 cm)	36" (30.5 cm)	36" (30.5 cm)	36" (30.5 cm)
	F	60" (152.5 cm)	60" (152.5 cm)	60" (152.5 cm)	60" (152.5 cm)	60" (152.5 cm)	60" (152.5 cm)	60" (152.5 cm)
Unvented	Above A	36" (30.5 cm)	36" (30.5 cm)	36" (30.5 cm)	36" (30.5 cm)	36" (30.5 cm)	36" (30.5 cm)	36" (30.5 cm)

## WARNING:

**⚠ FIRE OR EXPLOSION HAZARD**

### CAN CAUSE PROPERTY DAMAGE, SEVERE INJURY OR DEATH.

In all situations, clearances to combustibles must be maintained. Failure to observe clearances to combustibles may result in property damage, severe injury, or death.

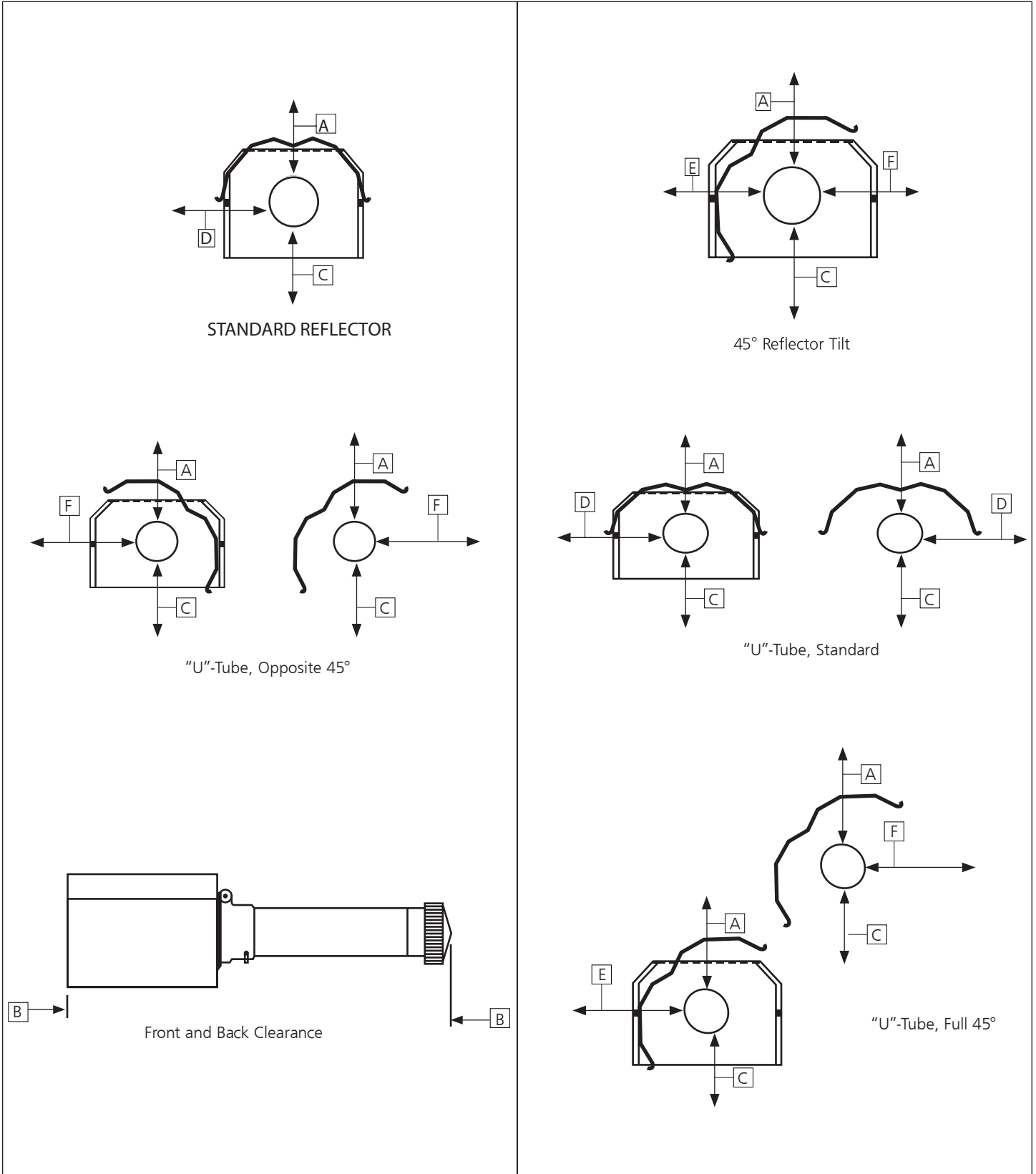
Minimum clearances must be maintained from vehicles parked below the heater. Signs should be posted in storage areas to specify maximum stacking height to maintain required clearances to combustibles.

Caution should be used when running the system near combustible materials such as wood, paper, rubber, etc. Consideration should be given to partitions, storage racks, hoists, building construction, etc.

TABLE 1 gives minimum acceptable clearances to combustibles. Clearances as shown in TABLE 1 are not for use in four-sided enclosures.

# Clearances To Combustibles

**Figure 1:** Clearances To Combustibles (Refer to TABLE 1 on page 4)



### SECTION 3: Installation & Assembly

TUBE COUPLING(14612)



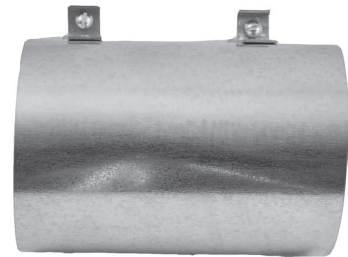
KEY FOR TUBE COUPLING  
(14616)



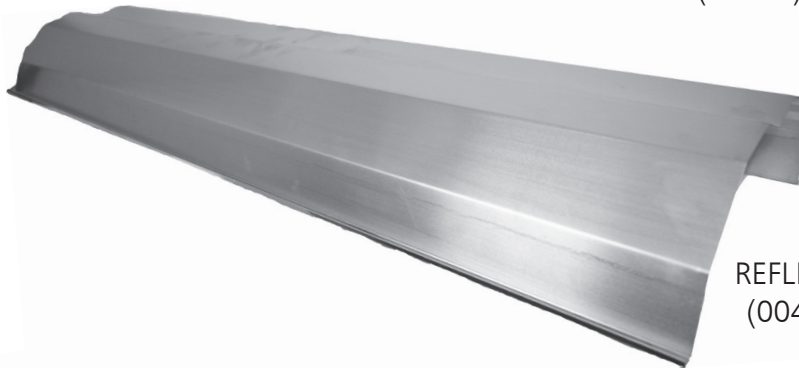
TUBE HANGER  
(14585P)



BURNER BOX



VENT ADAPTER  
(19021)



REFLECTOR 10'  
(00418A)



HEAT EXCHANGER TUBE 10'  
(06413)



TURBULATOR BAFFLE 10' (03445)  
TURBULATOR BAFFLE 5' (03447)

\*\*NOT INCLUDED WITH ALL MODELS\*\*  
\*\*ONLY HEATERS 30' LENGTH AND UNDER\*\*



# Installation Procedure

Take maximum advantage of the building upper structure, beams, joists, purlins, etc., from which to suspend the heater. There is no unique sequence for installation of the tubing. On-site observation will usually reveal a logical sequence. Begin the installation at the most critical dimension. This could save time. Watch for swinging doors, overhead cranes, car lifts etc. Reflectors and tubing can be installed as you move along. Carefully adjust system pitch at each position to level the heater. Pitch down one-half inch in 20 feet (away from burner).

**DON'T** Pressure test the gas line using high pressure (greater than 1/2 PSIG) without closing the high-pressure shutoff cocks. Failure to do so will result in damage to the burners.

**DO** Familiarize yourself with local and national codes.

Develop a planned procedure which will conserve material and labor on the job.

Check to see that all material and equipment is on the job before starting installation.

Allow for thermal expansion of the hot tube.


Install the gas connector only as shown in instructions (see Figure 14 on page 17).

Have slip joints where required between reflectors to keep them from buckling or coming apart.

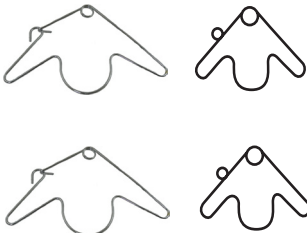
Provide 1 sq. inch of free air opening to each 1,000 BTU/hr. of heater input (but not less than 100 sq. inches) in enclosed spaces. One opening should be within 12 inches of the top and one within 12 inches of the bottom of the enclosure.

**FIGURE 2: Ener-Radiant XL Overview**

Assemble the heater components as shown in Figures 2A, 2B, 2C, 2D, 2E, 2F and 2G. Optional reflector configurations are shown in Figure 1. Install appropriated suspension hardware, beam clamps, chain or rod at predetermined locations. Adjustment of chain length will provide uniform pitch.



**Burner Housing**  
Must always be installed horizontally.



**Tube and Reflector Hanger**  
Install immediately after first coupling.

**Tube and Reflector Hanger**  
Suspend system from these hangers. Minimum two (2) required per tube.



10' 2-1/2"

**Reflectors**  
Alternate overlap as shown on overview. Length of reflector and amount of overlap is indicated.

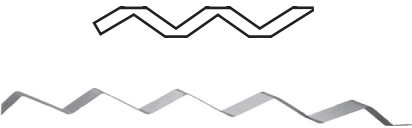
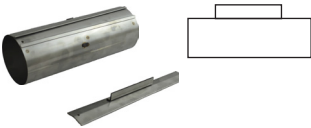


ALUMINIZED


**Heat Exchange Tubes**  
Supplied in 10 ft. lengths.

**Turbulator Assembly**  
Enerco Group, Inc normally ships Ener-Radiant heaters with turbulators assembled into appropriate tubes.

**Where Field Changes Occur**  
Turbulator Sections and Adapter are available in sections and must be assembled before installation (See Figure 3 for details). The number of sections required is indicated.

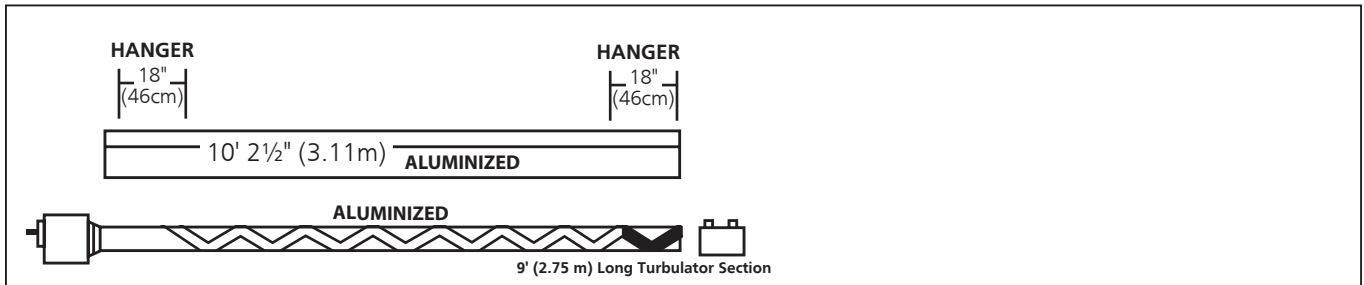
**Tube Coupling Assembly**  
Coupling should be oriented with slide bar on top, and all couplings should "point" in the same direction.



**Vent Adapter**  
Used to attach the heat exchanger tubing to vent pipe.

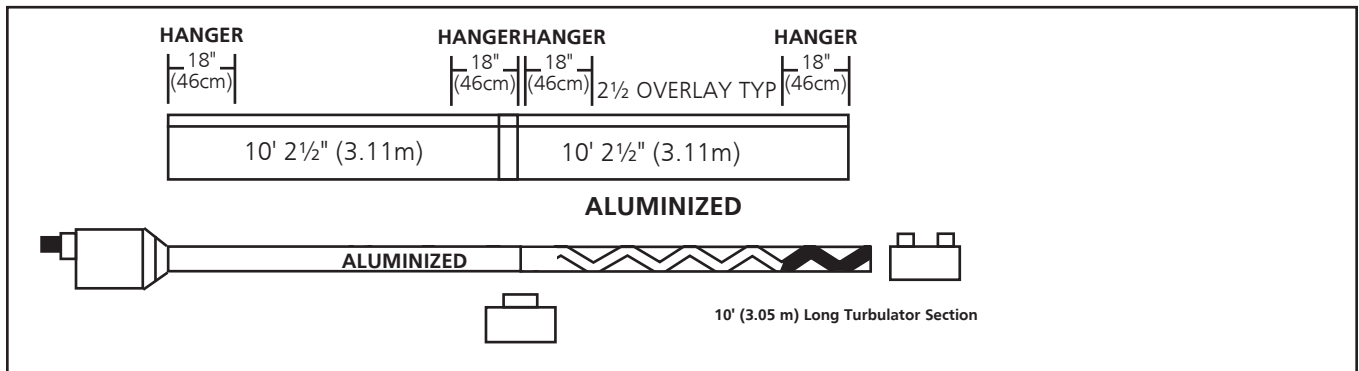
**FIGURE 2A: Ener-Radiant XL Model ERXL-40**

10 ft. Exchanger length. 11 ft. - 4 in. Total Heater length. 2 Suspension points as indicated.



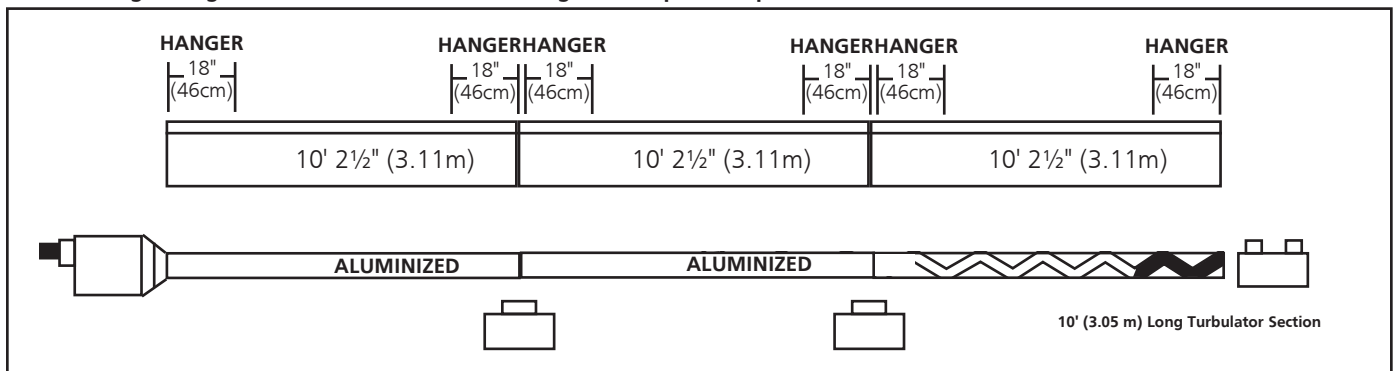
**FIGURE 2B: Ener-Radiant XL Model ERXL-60, ERXL-80, Assembly Overview**

20 ft. Exchanger length. 21 ft. - 4 in. Total Heater length. 4 Suspension points indicated.



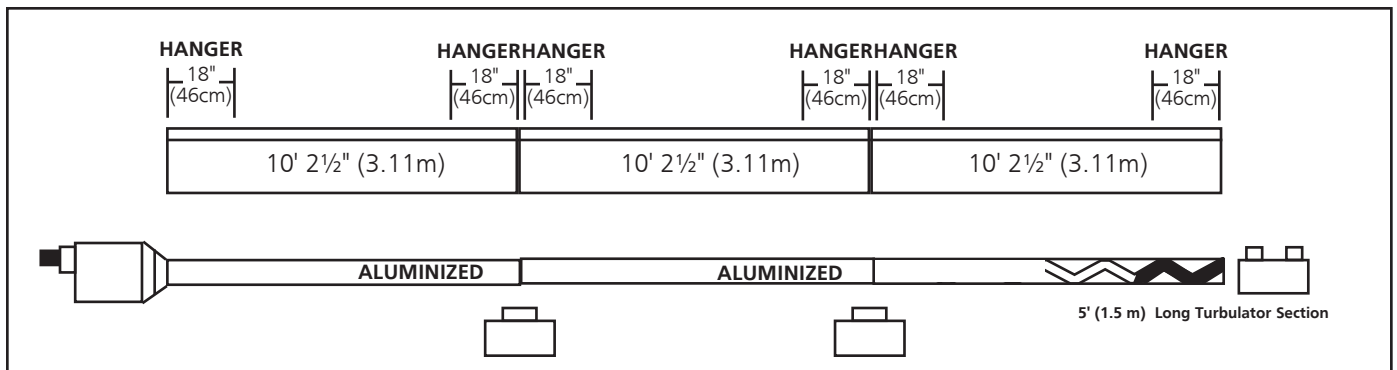
**FIGURE 2C: Ener-Radiant XL Model ERXL-80, Assembly Overview**

30 ft. Exchanger length. 31 ft. - 4 in. Total Heater length. 6 Suspension points as indicated



**FIGURE 2D: Ener-Radiant XL Model ERXL-100 Assembly Overview**

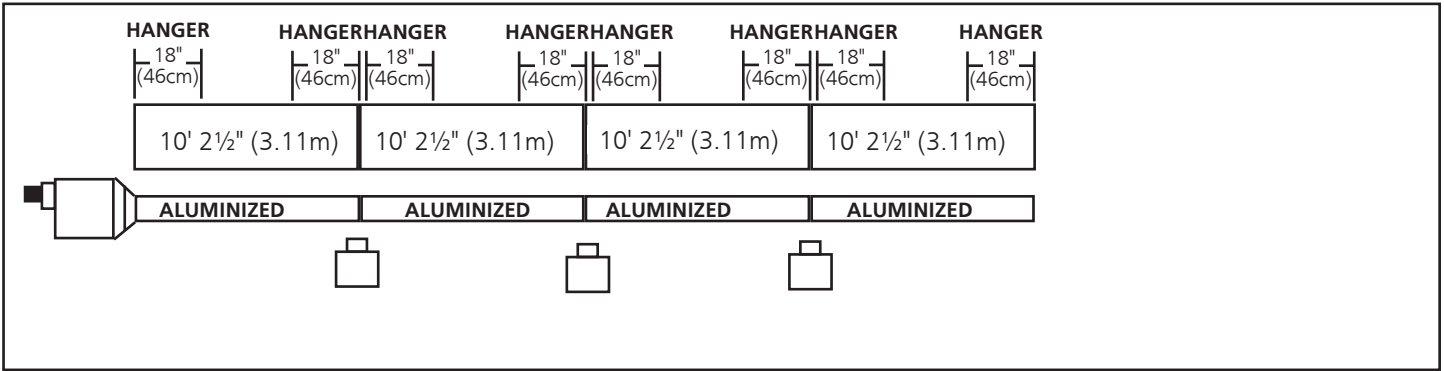
30 ft. Exchanger length. 31 ft. - 4 in. Total Heater length. 6 Suspension points as indicated.





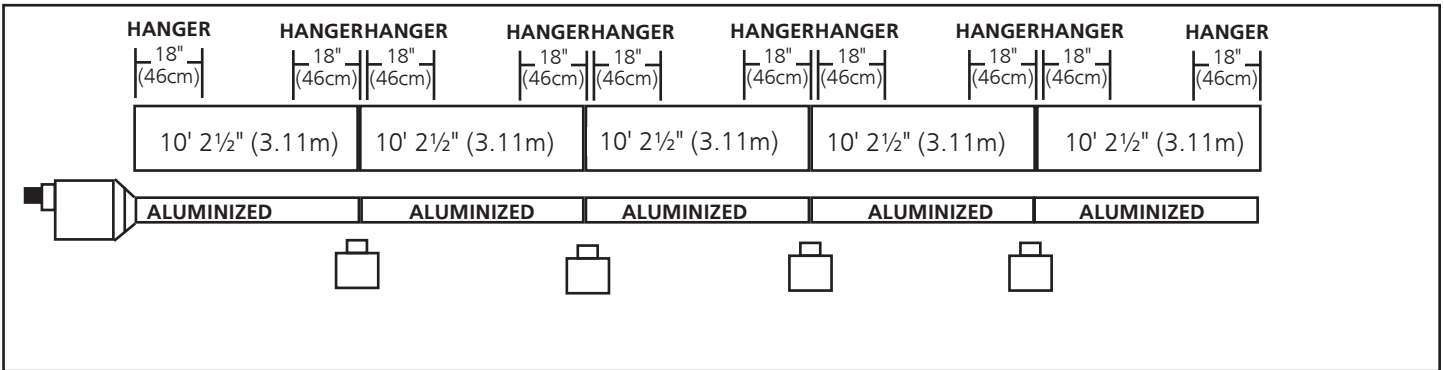
**FIGURE 2E: Ener-Radiant XL Model ERXL-100, ERXL-125**

40 ft. Exchanger length. 41 ft. - 4 in. Total Heater length. 8 Suspension points as indicated.



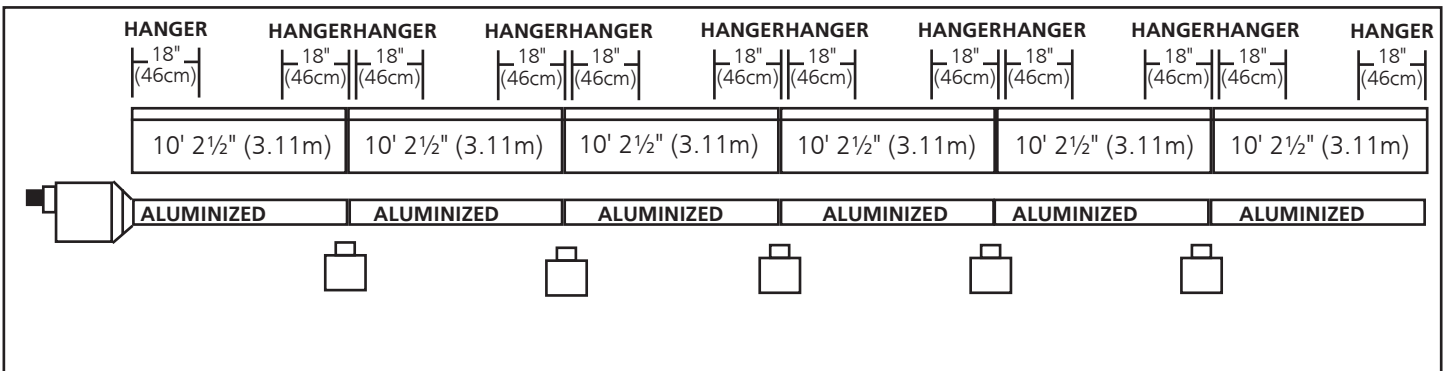
**FIGURE 2F: Ener-Radiant XL Model ERXL-125, ERXL-150, ERXL-175**

50 ft. Exchanger length. 51 ft. - 4 in. Total Heater length. 10 Suspension points as indicated.

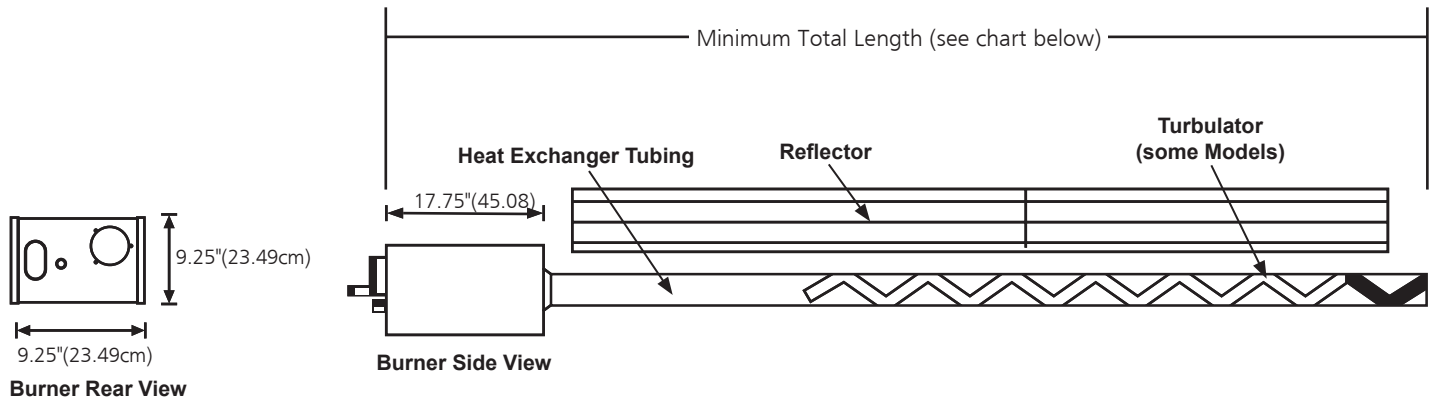


**FIGURE 2G: Ener-Radiant XL Model ERXL-150, ERXL-175**

60 ft. Exchanger length. 61 ft. - 4 in. Total Heater length. 12 Suspension points as indicated.



**FIGURE 3: Ener-Radiant XL Dimensions & Suggested Mounting Heights**

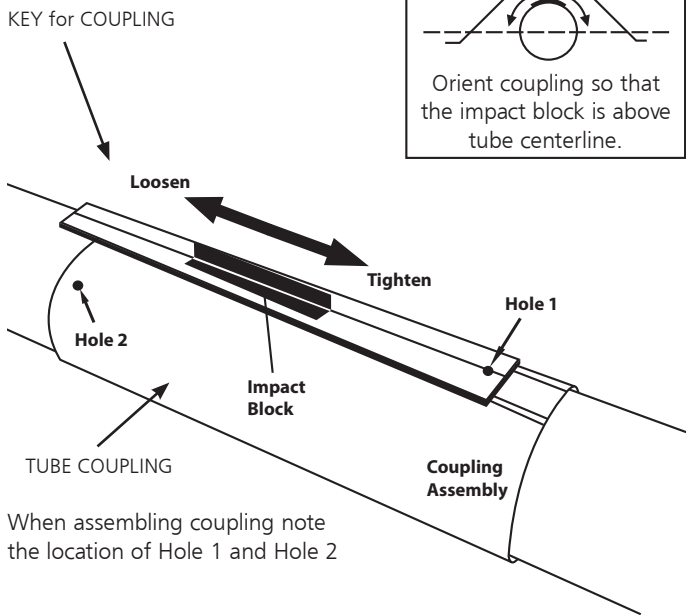


Burner Ratings and Heat Exchanger Lengths: (NG and LP)				Suggested Mounting Heights	
Model #	Rate (BTU/Hr.)	Heat Exchanger Length	Turbulator	Minimum Total Length	Typical Mounting Height Spot
ERXL-40	40,000	10 ft. (3.05 m)	9 ft. (2.75 m)	11 ft. 4" (3.45 m)	10' (3.05 m) - 14' (4.27 m)
ERXL-60	60,000	20 ft. (6.1 m)	10 ft. (3.05 m)	21 ft. 4" (6.50 m)	10' (3.05 m) - 14' (4.27 m)
ERXL-80	80,000	20 ft. (6.1 m)	10 ft. (3.05 m)	21 ft. 4" (6.50 m)	12' (3.66 m) - 15' (4.57 m)
ERXL-80	80,000	30 ft. (9.15 m)	10 ft. (3.05 m)	31 ft. 4" (9.55 m)	12' (3.66 m) - 15' (4.57 m)
ERXL-100	100,000	30 ft. (9.15 m)	5 ft. (1.5 m)	31 ft. 4" (9.55 m)	12' (3.66 m) - 15' (4.57 m)
ERXL-100	100,000	40 ft. (12.2 m)	None	41 ft. 4" (12.60 m)	12' (3.66 m) - 15' (4.57 m)
ERXL-125	125,000	40 ft. (12.2 m)	None	41 ft. 4" (12.60 m)	14' (4.27 m) - 19' (5.79 m)
ERXL-125	125,000	50 ft. (15.25 m)	None	51 ft. 4" (15.65 m)	14' (4.27 m) - 19' (5.79 m)
ERXL-150	150,000	50 ft. (15.25 m)	None	51 ft. 4" (15.65 m)	15' (4.57 m) - 25' (7.62 m)
ERXL-150	150,000	60 ft. (18.3 m)	None	61 ft. 4" (18.69 m)	15' (4.57 m) - 25' (7.62 m)
ERXL-175	175,000	50 ft. (15.25 m)	None	51 ft. 4" (15.65 m)	15' (4.57 m) - 25' (7.62 m)
ERXL-175	175,000	60 ft. (18.3 m)	None	61 ft. 4" (18.69 m)	15' (4.57 m) - 25' (7.62 m)

## COUPLING ASSEMBLY

**Couplings:** Tube and tube fittings are connected by wrap-around couplings which clamp by means of a tapered, hammer-driven lock member. The starting ends of the coupling and lock member are identified by 1/4" holes which are put together when starting assembly. Be sure the tube ends are in line and tube ends butt against stop pin(s) inside coupling. The slide bar is to be hammer-driven to a point of securing the coupling snugly to the tubes. Over-driving will result in distortion of the coupling or slide bar lip to a point decreasing the holding capability of the coupling. (See Figure 4)

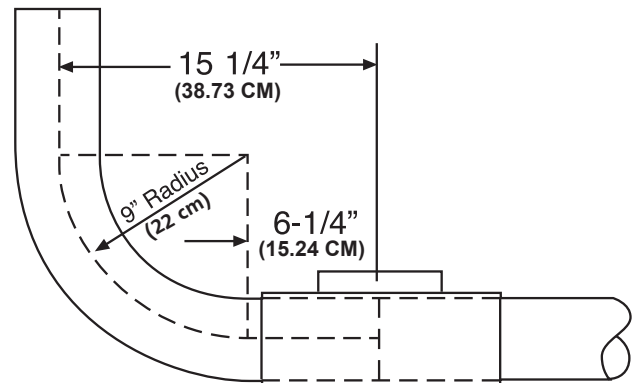
**FIGURE 4:**



Plain Coupling - 14612  
Key for Coupling - 14616

**FIGURE 5: Installation of Elbow & Coupling**

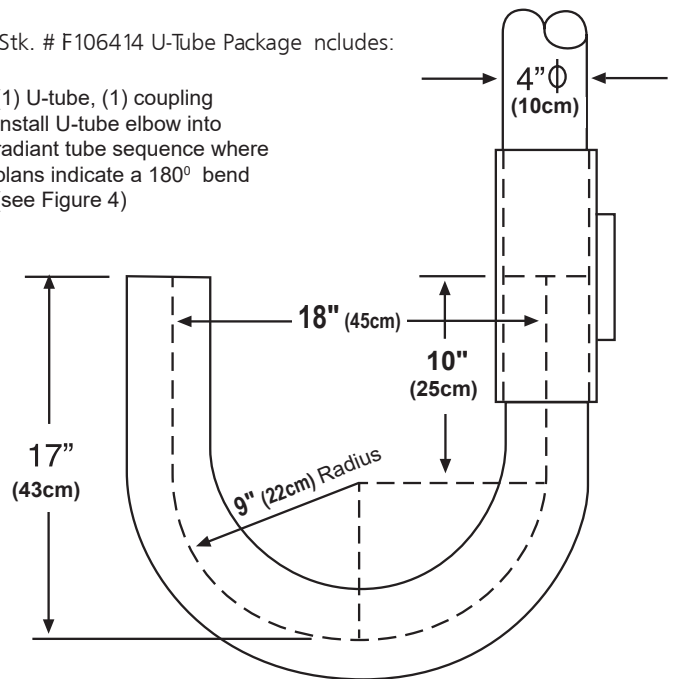
Elbow Package: Stk. # F106415 Elbow Package includes:  
(1) elbow, (1) coupling. Install elbow into radiant tube sequence where plans indicate a 90° bend (see Figure 4).



90° Elbow Fitting Dimensions

Stk. # F106414 U-Tube Package includes:

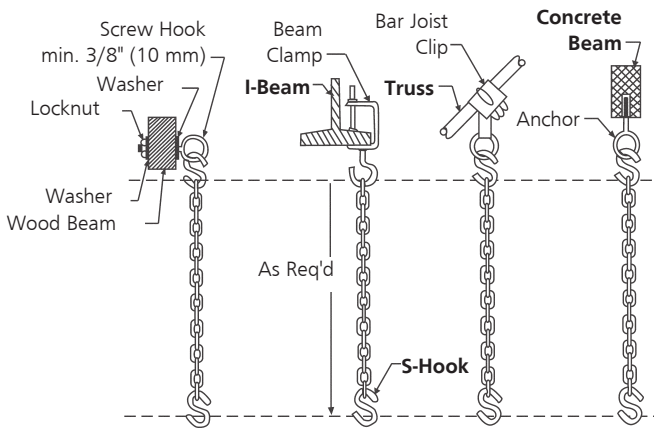
(1) U-tube, (1) coupling  
Install U-tube elbow into radiant tube sequence where plans indicate a 180° bend (see Figure 4)



U-Tube Fitting Dimensions

180° U-Tube

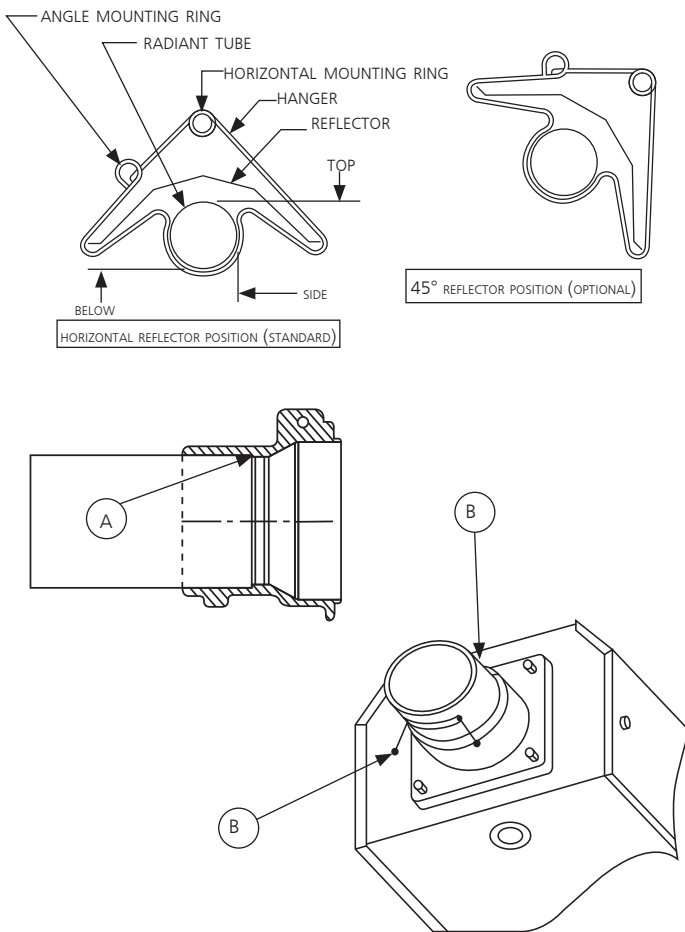
**FIGURE 6: Typical Suspension Details**



Chain kit - Stk. #17370

One chain kit will suspend one 10 ft. section of tube and one 10 ft. section of reflector.

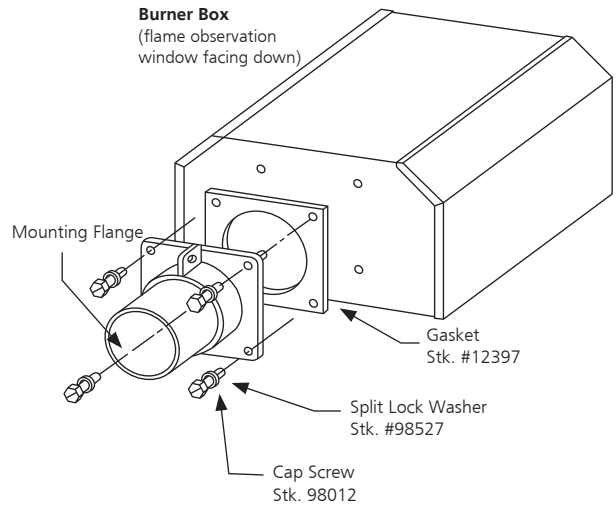
**FIGURE 7: Tube and Reflector Hanger**



**FIGURE 7: Mounting Flange / Tube Detail**

- 1) Insert tube 06413 into front casting to point (A).
- 2) Tighter all set screws marked (B) until snug.
- 3) After both set screws are snug, turn each additional 1/4 turn to secure tube in place.

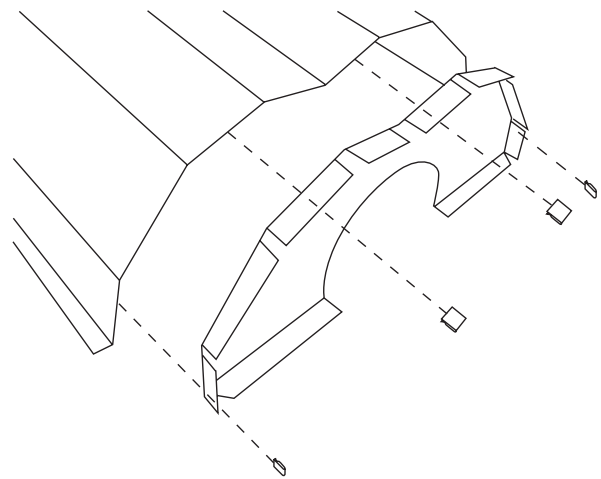
**FIGURE 8: Burner Box / Transition Tube Detail**



Flange Kit #06428XL

Kit Includes: Flange, Screws(4), Lock Washers(4), Gasket(1)

**FIGURE 9: Reflector End Cap**



Parts list

- |   |       |                           |
|---|-------|---------------------------|
| 1 | 00419 | Reflector End Cap (Qty 1) |
| 2 | 09369 | Spring Clip (Qty 4)       |

## SECTION 4

### Engineering Specifications

The total heating system supplied shall be design certified by CSA under ANSI Z83.20a latest revision and CGA 2.34a latest revision.

#### A. Burner & Burner Controls

1. Burners shall be capable of firing with one of the fuel options as specified on the purchase documents: Natural Gas or LP.
2. Burners shall be supplied to fire at any one of the input rates as specified.

ERXL-40	40,000 BTU/Hr.	(11.72 kW)
ERXL-60	60,000 BTU/Hr.	(17.58 kW)
ERXL-80	80,000 BTU/Hr.	(23.45 kW)
ERXL-100	100,000 BTU/Hr.	(29.31 kW)
ERXL-125	125,000 BTU/Hr.	(36.63 kW)
ERXL-150	150,000 BTU/Hr.	(43.96 kW)
ERXL-175	175,000 BTU/Hr.	(51.29 kW)

3. Burner shall be equipped with a direct sense silicon-carbide hot surface ignition control system with 100% shut-off ignition device. Power supplied to each heater shall be 120V, 60Hz, single phase. Burners shall be rated for 1.0 Amp (run) and 5.0 Amp (start.)
4. Burner shall be equipped with thermal overload motor protection, balanced air rotor, combustion air proving safety pressure switch, and viewing window for flame observation.
5. When specified, in contaminated environments, the burner shall be capable of supplying outside air to each burner for the support of combustion.
6. All burners shall be pre-wired with a grounded electrical cord and plug.
7. At customer's choice, burners may be controlled with either an optional line voltage thermostat or by optional low voltage thermostats with an appropriate low voltage transformer relay.
8. Gas supply to the burners shall conform to the following:

1/2" NPT gas connector size

Natural Gas: 4.5" W.C. MIN, 11.0" W.C. MAX  
(1.12 kPa MIN, 2.74 kPa MAX)

LP Gas: 11" W.C. MIN, 14.0" W.C. MAX  
(2.74 kPa MIN, 3.48 kPa MAX)

#### B. Heat Exchanger

1. Radiant tubing shall be 4" (10 cm) diameter aluminized steel supplied in 10 ft. sections (3.05 m). Sections shall be joined with stainless steel wrap-around couplings.
2. Reflector to be of aluminum material and designed to direct all radiant output below horizontal center line of radiant tube.
3. Heaters shall be vented according to manufacturer's recommendations.

#### Gas pressure at MANIFOLD:

Natural Gas: 3.5" W.C. (0.87 kPa)

LP Gas: 10.5" W.C. (2.61 kPa)

1/2" NPT Gas Connector Size

#### Gas INLET pressure:

Natural Gas: 4.5" W.C. Min (1.12 kPa MIN)

11.0" W.C. Max (2.74 kPa MAX)

LP Gas: 11.0" W.C. Min (2.74 kPa MIN)

14.0" W.C. Max (3.48 kPa MAX)

1/2" NPT Gas Connector Size

#### Electrical Rating: (All Models)

120V - 60Hz

1.0 AMP (Run) 5.0 AMP (Start)

#### Dimensions:

Flue Connection Size.....4" (10 cm)

Outside Air Connection Size.....4" (10 cm)

## SECTION 5

### Venting / Ducting

#### General Requirements

This heater must be vented in accordance with the specifications contained in this manual and with the following national codes and any state, provincial or local codes which may apply:

- Refer to National Fuel Gas Code NFPA 54/ANSI Z223.1- latest revision.
- CANADA: Refer to Natural Gas and Propane Installation Code CSA B149.1- latest revision.

The heater may be vented to the outdoors either vertically or horizontally.

Optional outside air supply may be directed to the heater horizontally or vertically.

Be sure that the method selected for venting heater complies with all codes as required for each particular location

The use of single-wall vent pipe (26 gauge) is recommended. A section of double-wall vent pipe is recommended when passing through the roof or wall.

Exhaust end of heater will accept a 4' (10 cm) vent pipe using the vent adapter. Install the vent adapter with the seam on top, secure all vent joints with a minimum of 3 #8 x 3/8" sheet metal screws and seal all joints using a high temperature silicone sealant.

If condensation in the flue is a problem, the flue length should be shortened or insulated.

Vent pipe must be sloped downward away from the burner 1/4" (0.6 cm) for ever 10' (3m).

#### VENT LENGTHS:

- Maximum total vent length allowed in thirty (30') (9.15 m) feet.
- Maximum outside air supply duct allowed thirty (30') (9.15 m) feet.
- Maximum total vent length plus outside air supply length shall not exceed fifty (50') (15.25 m) feet.

#### NOTE:

A total of two (2) elbows are allowed for vent and outside air supply combination. Subtract 5' feet (1.5 m) per additional elbow from maximum length allowed if 3 or more elbows are used.

Install a minimum 18" (30 cm) straight length of duct for air intake or vent before any Tee or elbow.

#### Alternative Arrangements / Optional Equipment for Venting Unvented Operation

- Sufficient ventilation must be provided in the amount of 4 CFM per 1,000 BTU/hr. firing rate.
- Refer to ANSI Z223.1 - latest revision, NFPA-54 and local codes for additional information.
- Use of optional outside combustion air is not recommended with unvented heaters due to pressure considerations. Refer to page 16

#### Horizontal Venting

- Four (4") inch (10 cm) O.D. flue pipe is required. Thirty (30') (9.15 m) feet maximum length is recommended.
- All flue joints should be sealed using suitable product such as

General Electric RTV106 or Permatex Form-A-Gasket Red High Temperature Silicone Adhesive Sealant.

- Do not install any elbow or 45 fitting to bring vent lower than the horizontal tube system.
- Vent terminal should be installed at a height sufficient to prevent blockage by snow.
  - Vent must exit building not less than seven (7') feet (2.13 m) above grade when located adjacent to public walkways.
  - Vent must terminate at least three (3') feet (.91 m) above any forced air inlet located within ten feet (10') (3.05 m).
  - Vent must terminate at least four (4') feet (1.2 m) below, four (4') feet (1.2 m) horizontally from, or one (1') foot (30.5 cm) above any door, window, or gravity inlet into any building.
  - Vent terminal shall be located at least twelve (12") inches (30.5 cm) from any opening through which vent gases could enter the building.
  - Vent terminal must be beyond any combustible over hang

#### Vertical Venting

- Four (4") inch (10 cm) O.D. flue pipe, maximum thirty (30') feet (9.15 m) in length may be used as shown with approved vent cap. (See General Requirements on this page for additional information.)
- An insulated thimble may be required to pass through combustible structures (check local codes).
- All flue joints should be sealed using suitable products (see recommendation for horizontal venting.)

#### Common Venting

- Horizontal run to vent must never exceed 75% of the vertical height of the vent. Refer to ANSI Z223.1 - latest revision, NFA-54 for proper vent sizes and installation.
- Open area of common vent must equal the sum of the open area of individual vents connected to it. (See chart below and diagrams - page 14.)
- Use double wall vent as required (check codes.)
- All joints must be sealed using suitable products.
- Connections to common stack must be positioned to avoid direct opposition between streams of combustion gases.

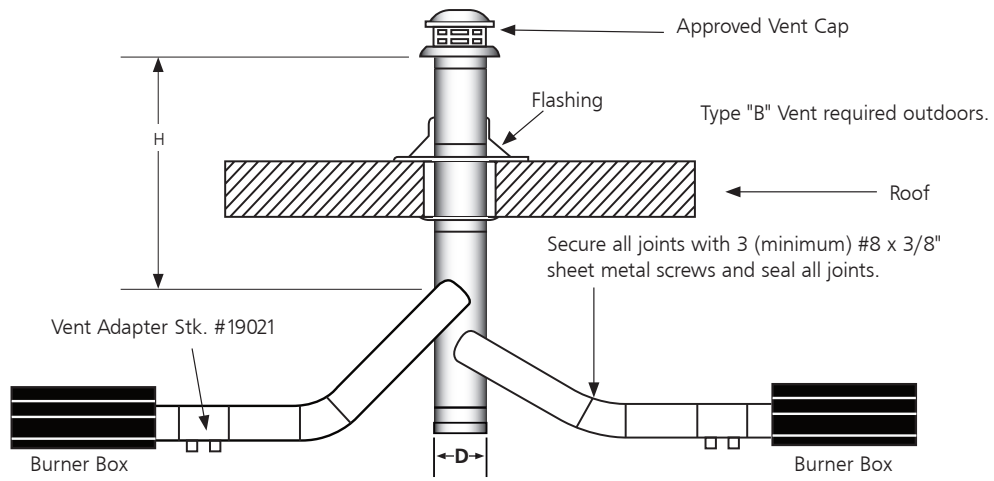
#### COMMON VENTING - (2) Heaters (Horizontal and Vertical)

Model #	H = 6 ft. (1.82 m)	H = 8 ft. (2.44 m)	H = 15 ft. (4.57 m)
ERXL-40	D = 7" (17.8 cm)	D = 6" (15.25cm)	D = 6" (15.25cm)
ERXL-60	D = 7" (17.8 cm)	D = 6" (15.25cm)	D = 6" (15.25cm)
ERXL-80	D = 8" (20.5 cm)	D = 7" (17.8 cm)	D = 6" (15.25cm)
ERXL-100	D = 8" (20.5 cm)	D = 8" (20.5 cm)	D = 7" (17.8 cm)
ERXL-125	D = 10" (25.4 cm)	D = 10" (25.4 cm)	D = 8" (20.5 cm)
ERXL-150	D = 10" (25.4 cm)	D = 10" (25.4 cm)	D = 8" (20.5 cm)
ERXL-175	D = 10" (25.4 cm)	D = 10" (25.4 cm)	D = 8" (20.5 cm)

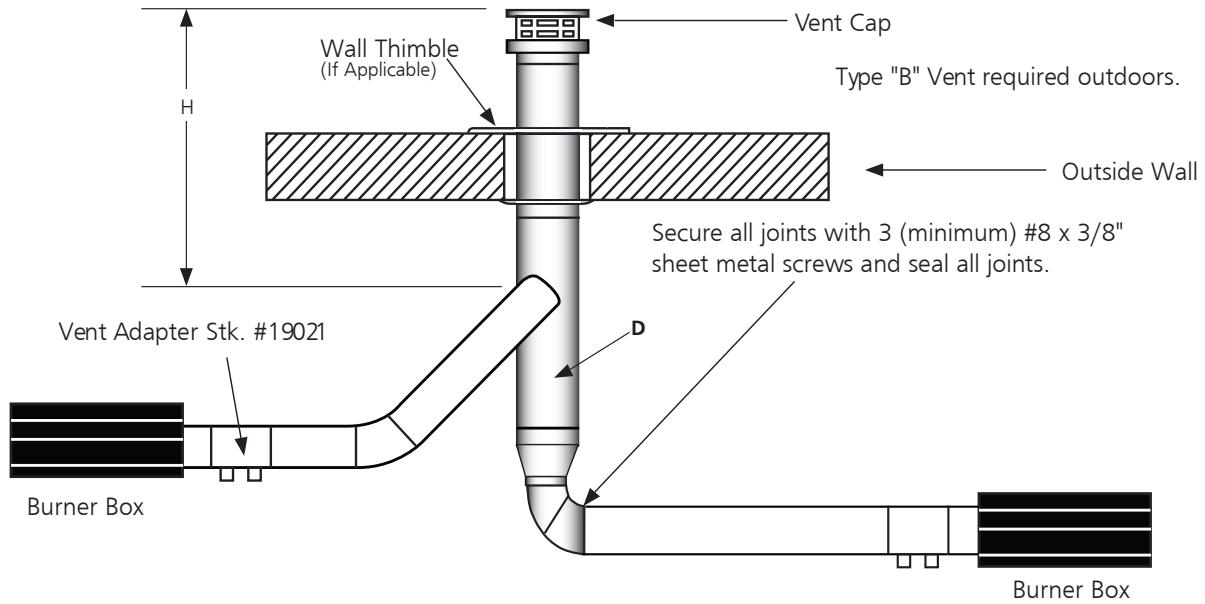
**FIGURE 12: Common Roof Venting**

**VERTICAL COMMON VENTING**

**SIDE VIEW**

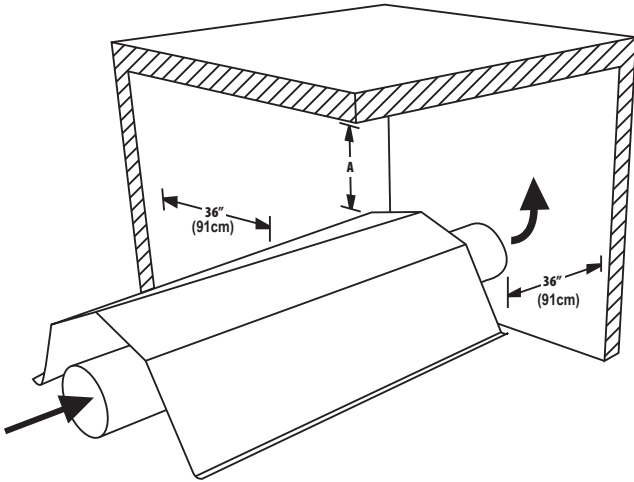


**HORIZONTAL COMMON VENTING**





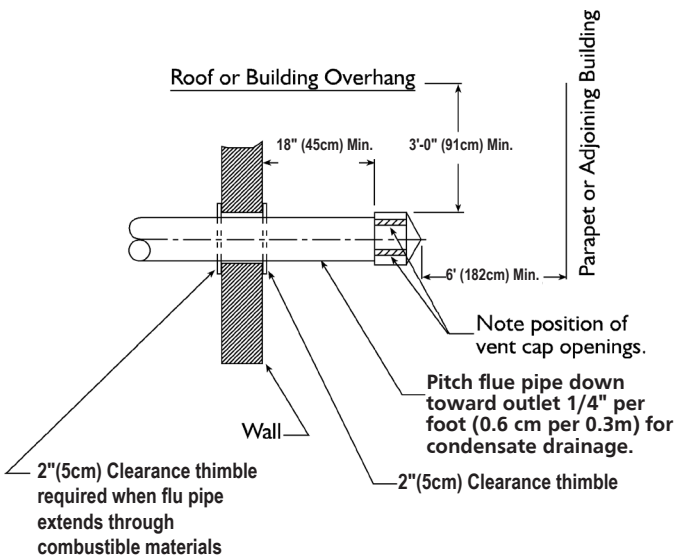
**FIGURE 10: Unvented Operation**



1. Ventilation equal to 4 CFM per 1,000 BTU/HR firing rate must be provided in unvented heater installations
2. For dimensions A "unvented" refer to ( Figure 1- Minimum Clearances to Combustibles.)

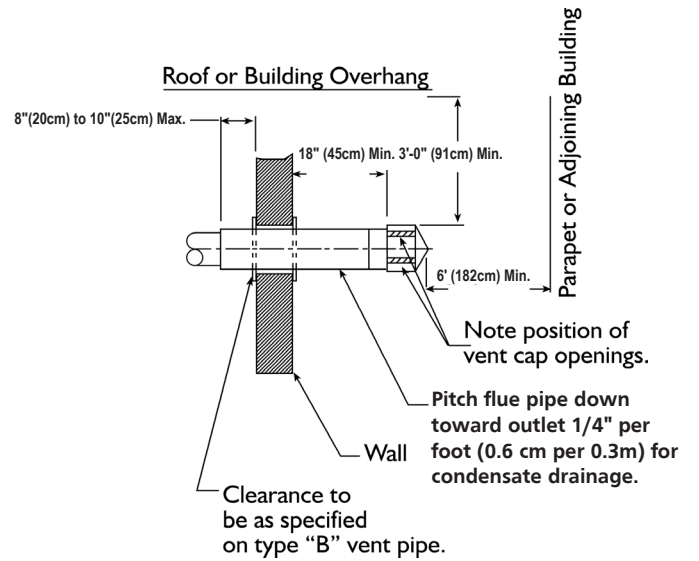
**FIGURE 10A: Single Wall**

Single wall vent run  
Single wall terminal end

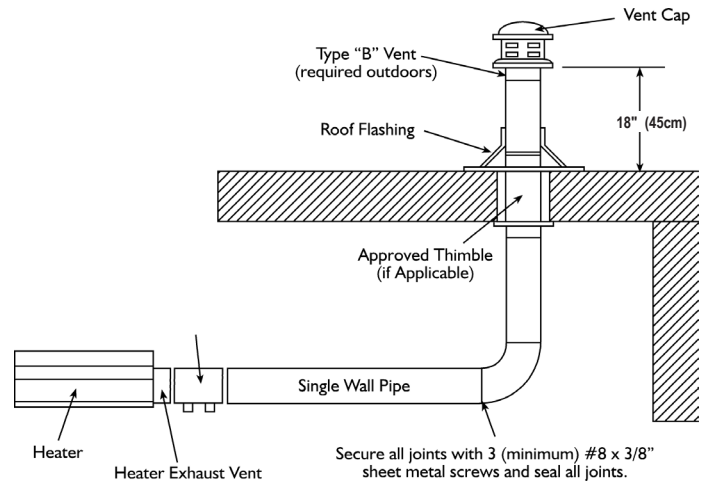


**FIGURE 10b: Double Wall**

Double wall vent run  
Double wall terminal end



**FIGURE 11: Vertical Venting**



## Outside Combustion Air Supply

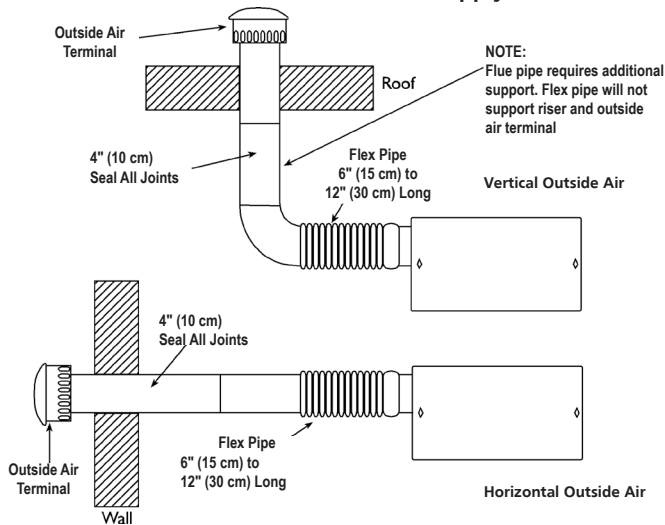
The Ener-Radiant XL heater is approved for installation with an outside air supply system. Some compounds such as halogenated hydrocarbons or other corrosive chemicals in the air can be drawn into the equipment and cause an accelerated rate of corrosion of some of the heater components. The use of such chemical compounds near the enclosure should be avoided.

**IMPORTANT: If the building has a slight negative pressure or contaminants are present in the air, an outside combustion air supply to the heaters is strongly recommended.**

For an outside air supply, a four (4") inch (10 cm) O.D. single wall pipe may be attached to the heater. The duct may be up to thirty (30') ft (9.15 m) maximum length or two (2') ft. minimum (0.61m) length with no more than two (2) elbows. (See General Requirements on page 14 for additional information.)

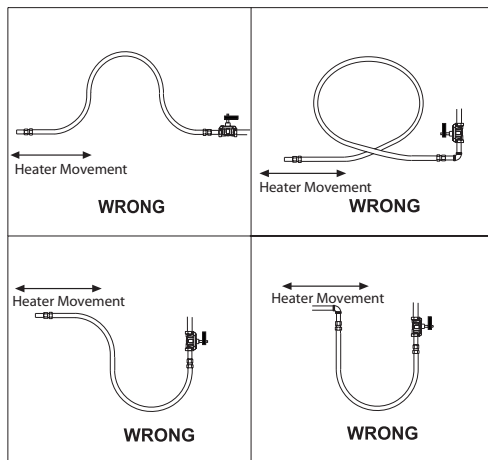
The air supply duct may have to be insulated to prevent condensation on the outer surface. The outside air terminal should be securely fastened to the outside wall by drilling four (4) 1/4" (0.635 cm) diameter holes in the outside flange; wood screws or bolts and expansion sleeves may be used to fasten terminal.

**FIGURE 13: Non-Pressurized Outside Air Supply Duct**



PVC Pipe, "Dryer Hose", or equivalent may be used instead of standard vent pipe.

**FIGURE 14A: Incorrect Gas Line Connection with Stainless Steel Flex Gas Connector**



## SECTION 6

### Gas Piping

Read applicable warnings in (Section 1) before proceeding with Gas Pipe installation. Improper installation may result in property damage, severe injury, or death.

Meter and service must be large enough to handle all the burners being installed plus any other connected load. The gas line which feed the system must be large enough to supply the required gas with a maximum pressure drop of 1/2" water column (0.12 kPa). When gas piping is not included in the layout drawing, the local gas supplier will usually help in planning the gas piping.

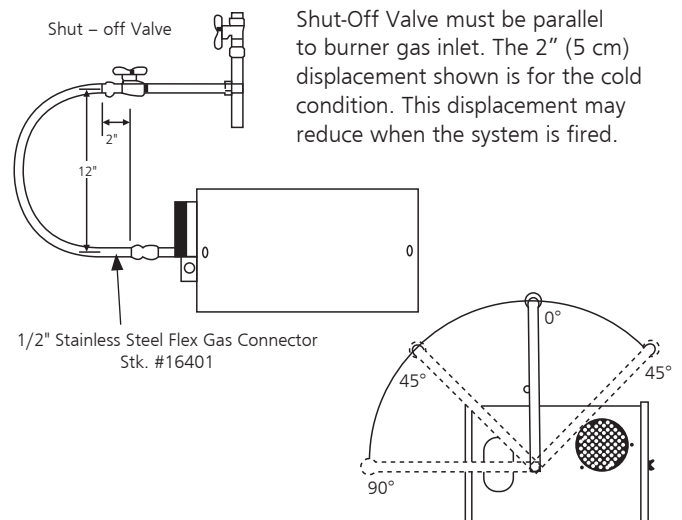
A 1/2" tapping at each burner location must be located and oriented as shown in (Figure 14). To check system pressure, put a plugged 1/8" NPT tapping in the gas line at the connection to the burner farthest from the supply. Before connecting the burners to the supply system, verify that all high pressure testing of the gas piping has been completed. Do not high pressure test the gas piping with the burners connected.

Follow these instructions to ensure a professional gas supply installation:

- Support all gas piping with suitable pipe hanging materials.
- Use wrought iron or wrought steel pipe and malleable iron fitting. All pipe fittings should be new and free from defects. Carefully ream the pipe and tubing ends to remove obstructions and burrs.
- Use L.P. gas-resistant joint compound on all pipe threads.
- Check the pipe and tubing ends for leaks before placing heating equipment into service. When checking for gas leaks, use soap and water solution: **NEVER USE AN OPEN FLAME.**

Install the flex gas connector as shown. The flex gas connector accommodates expansion of the heating system and allows for easy installation and service of the burner.

**FIGURE 14: Gas Line Connection with Stainless Steel Flex Gas Connector**



## SECTION 7

### Wiring

Heaters are normally controlled by thermostats. Line voltage thermostats are wired directly (see Figure 15), 24V thermostats are wired directly by finding and removing the jumper wire on the back of the burner box and wiring the thermostat to the terminals (see Figure 16). Heaters must be grounded in accordance with the National Electric Code ANSI/NFPA- 70 or current Canadian Electrical Code, CSA C22.1. Heaters may also be controlled with a manual line voltage switch or timer switch in place of the thermostat.

FIGURE 15: Line Voltage Thermostat Wiring

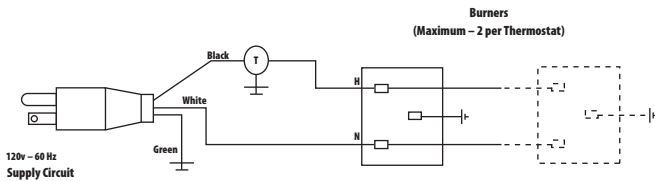


FIGURE 16: Low Voltage Thermostat Wiring

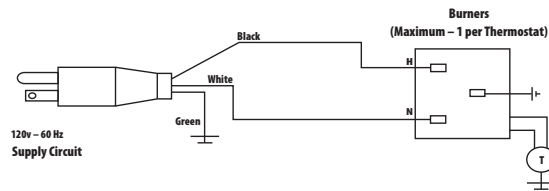


FIGURE 17: Ener-Radiant XL Burner Internal Wiring

- If any of the original wire as supplied with the appliance must be replaced, it must be replaced with wiring material having a temperature rating of at least 105°C and 600 volts.
- Each burner must be electrically grounded in accordance with the National Electric Code ANSI/NFPA - 70 or current Canadian Electrical Code, CSA C22.1.

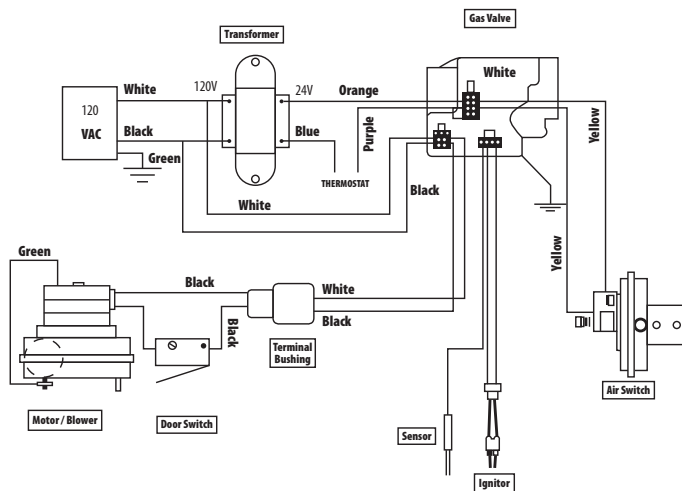
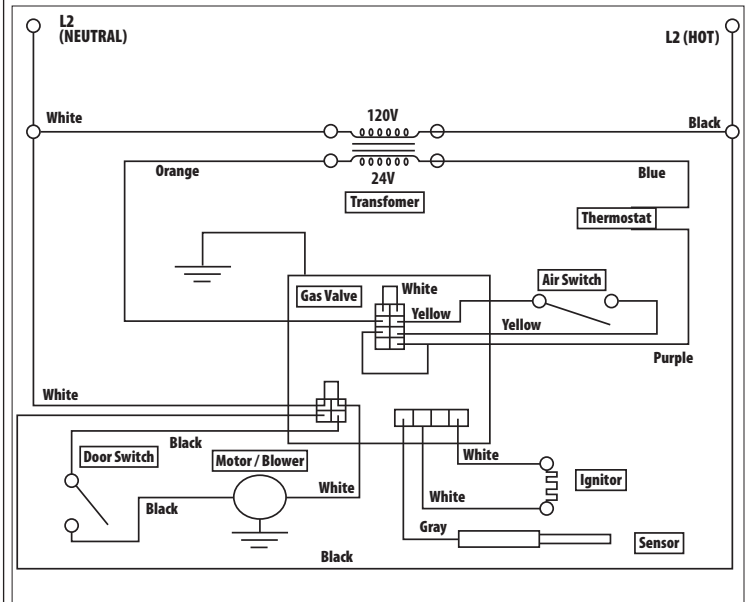


FIGURE 18: Ener-Radiant XL Burner Internal Wiring Ladder Diagram



## SECTION 8

### Operation & Maintenance

#### Sequence of Operation

1. Turn the thermostat up. When the thermostat calls for heat, blower motor will energize.
2. When the motor approaches nominal running RPM, the air proving switch closes and activates the ignition module.
3. The ignition module then energizes the hot surface igniter for a timed warm-up period (approximately 45 to 60 seconds.)
4. After the warm-up period, the gas valve is energized.
5. During the last part of the sequence, the igniter is de-energized and is converted to a flame sensing rod.
6. If a flame is detected, the gas valve remains open. When the call for heat is satisfied, and the system control mechanism de-energizes the burner line voltage supply, the gas valves are turned off.
7. If no flame is detected on a single-try module, the gas valve is closed, and the module will lockout until it is reset. Reset is accomplished by removing power from the module for at least five (5) seconds (thermostat cycle required.)
8. If no flame is detected on a three-trial module, the gas valve is closed, and a purge period begins. After the purge, the module acts to power the igniter for a second warm-up period, and a second trial for ignition period. If flame is still not established, a third and final purge, warm-up, and trial cycle begins. After three trials, the module will lockout until reset. Reset is accomplished by removing power from the module for at least five (5) seconds (thermostat cycle required.)
9. On a three-trial module, if flame is established and lost on the first or second trial, the gas valve is turned off, a purge, warm-up, and trial for ignition will occur on a three-trial module, only three trials for ignition are allowed per thermostat cycle.

## HIGH ALTITUDE

Heaters may be fired at full input up to 2000 ft. (610m) above sea level. Above 2000 ft. (610m) a high altitude conversion kit may be required to ensure proper burner performance, please consult the manufacturer. Be prepared to answer factory questions regarding: type of fuel for the proposed appliance conversion, gas pressure available at site, and specific altitude at site. The conversion shall be carried out by a manufacturer's authorized representative, in accordance with the requirements of the manufacturer, provincial, or territorial authorities having jurisdiction and in accordance with the requirements of the CSA B149.1 or CSA149.2 installation codes.

## Maintenance

For best performance, the following maintenance procedures should be performed before each heating season:

1. Be sure gas and electrical supply to heater are off before performing any service or maintenance.
2. Check condition of blower scroll and motor. Dirt and dust may be blown out with compressed air, or a vacuum cleaner may be used. When using compressed air do not exceed 30 psi in order to not damage fragile hot surface igniter.
3. Check condition of burner. Carefully remove any dust or debris from inside the burner box or burner cup.
4. Inspect the igniter. Replace igniter if there is excessive carbon residue, erosion, breakage or other defects.
5. Check the inside of the firing tube with a flashlight. If carbon or scale are present, scrape out the deposits with a wire brush or rod, or metal plate attached to a wooden pole.
6. Check to see that the burner observation window is clean and free of cracks or holes. Clean or replace as necessary.
7. Check the flue pipe for soot or dirt. After cleaning as necessary, re-attach the flue pipe to the heater.
8. Outside surfaces of heater may be cleaned by wiping with a damp cloth.
9. A qualified service agency should be contacted for service other than routine maintenance.
10. Check vent terminal and fresh air inlet to see that they have not been blocked during the non-heating season. If either pipe is restricted, the air switch won't close, resulting in a no-heat situation.

## Troubleshooting

**CAUTION:** Before opening the Ener-Radiant XL burner door for any type of service, be sure the gas supply has been shut off at the heater and the electrical cord from the burner box has been unplugged.

### Blower Motor Fails to Run:

1. Is the thermostat calling for heat? Is there 115V at the burner receptacle?
2. Check blower side door for seal. Check door switch. Replace if necessary.
3. Check blower for obstructions. Replace blower if necessary.

### Igniter Does Not Glow:

1. Check igniter for damage. Replace if necessary.
2. Check voltage and resistance at igniter. (Voltage should be 115V. Resistance should be 40-75 ohms.)
3. Check for obstructions to the air inlet and outlet.
4. Check wiring and hose connections to the air switch. Replace if necessary.
5. Check voltages at transformer primary and secondary. Replace transformer or module if necessary.

### Valve Does Not Come On:

Gas pressure downstream of gas control can be measure by using a manometer and connecting to pressure tap on control/.

1. Check to see if manual valve heater is ON.
2. Check to see if manual valve knob on heater gas control in ON.
3. Supply gas pressure can be checked at 1/8" NPT pressure tapping on heater external manual valve.
4. Check to see if gas control is opening: no manifold pressure indicates valve is closed.

If the valve is closed, either the gas valve or the ignition module is faulty.

**WARNING:** Do not disconnect ground leads inside heater. Do not interchange grounded and ungrounded leads on transformer or ignition module.

### Burner Does Not Light:

1. Check to see if gas lines were properly purged of air.
2. Check inlet and outlet gas pressure during ignition period.

- Natural inlet pressure should be 4.5" (1.12 kPa)
  - Natural outlet pressure at manifold should be 3.5" (0.87 kPa)
  - LP inlet pressure should be 11.0" (2.74 kPa)
  - LP outlet pressure at manifold should be 10.5" (2.61 kPa)
3. Check for proper orifice and air plate.

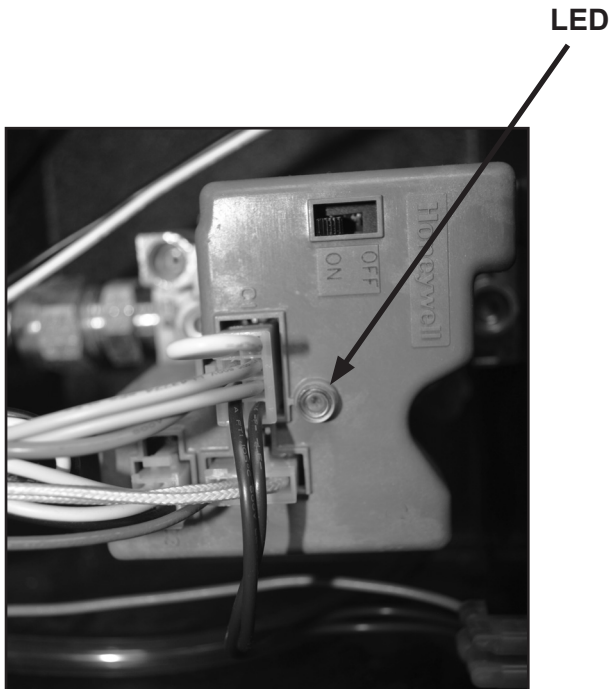
- Burner Does Not** 1. Check ground wire continuity.  
**Stay Lit:** 2. Check burner internal wiring for reversed leads.  
 3. Check insulation on the igniter leads.  
 4. Replace module if necessary.

**Honeywell Valve LED Status**

The Ener-Radiant XL series Tube Heater is equipped with a honeywell Smart Valve. This valve has a built-in diagnostic program, which will assist in troubleshooting in the event of a valve-related problem. The LED or (Light Emitting Diode) is located on the top of the valve as shown in diagram below. The LED status indications are listed below to help with the troubleshooting.

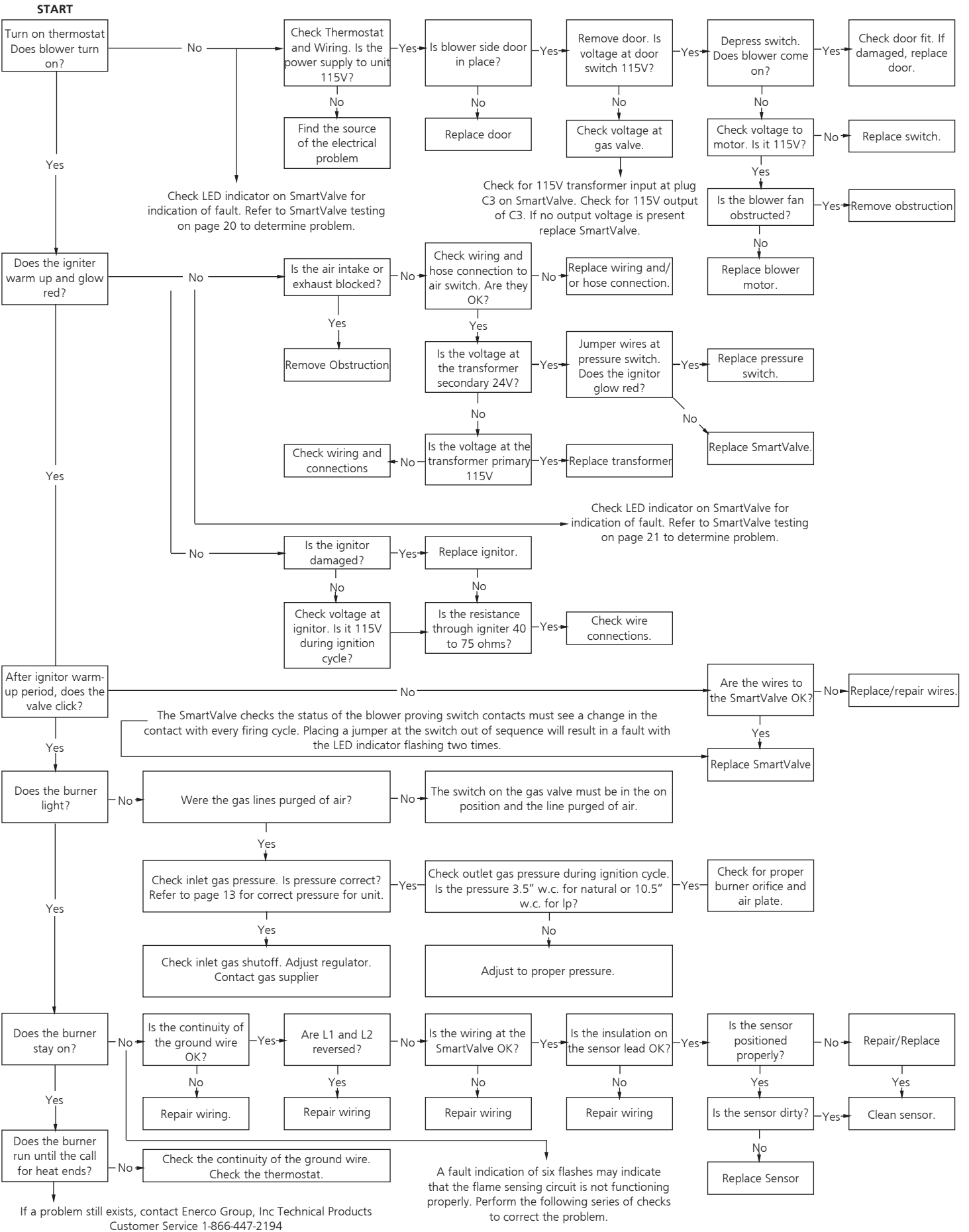
**FIGURE 19:**

OFF	INDICATED
Off	No power to the control
Bright-Dim	Normal operation. This indication shows whenever the system is powered, unless some abnormal event has occurred.
2-Flashes	Airflow providing switch remains closed longer than 30 seconds after call for heat begins (air providing switch stuck closed.)
3-Flashes	Airflow providing switch remains open longer than 30 seconds after combustion air blower is energized - or blower does not energize.
4-Flashes	White jumper wire is loose.
5-Flashes	Flame signal sensed out of proper sequence.
6-Flashes	System Lockout.

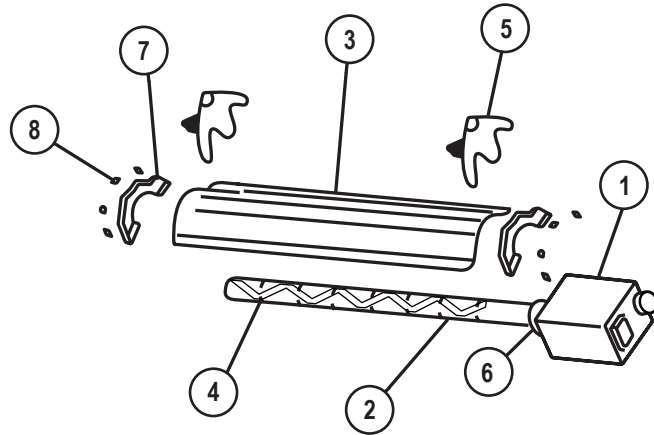


Honeywell Smart Valve

# SECTION 9: Troubleshooting Guide. Ener-Radiant XL

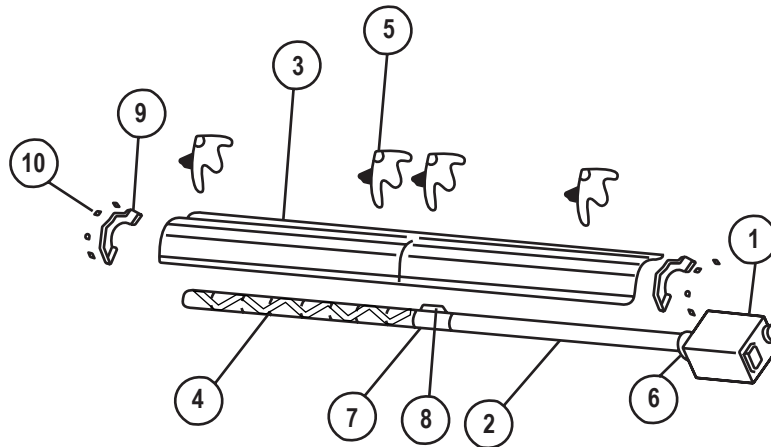


# Parts List for Ener-Radiant XL Tube Heaters



## ERXL-40

Item	Stock #	Description	QTY	Item	Stock#	Description	QTY
1	F102594XL	ERXL-40 NG / BRN & Cont Box	1	6	02753	Front Flange	1
1	F102595XL	ERXL-40 LP / BRN & Cont Box	1	7	00419	Reflector End Cap	2
2	F106408XL	Tube Set- 10'	1	8	09369	Spring Clips	8
	06413	Tube H.E. 4" O.D. X 10'	2				
3	00418A	Reflector	2				
4	03445	Turbulator Baffle 9'	1				
5	14585P	Hanger	4				

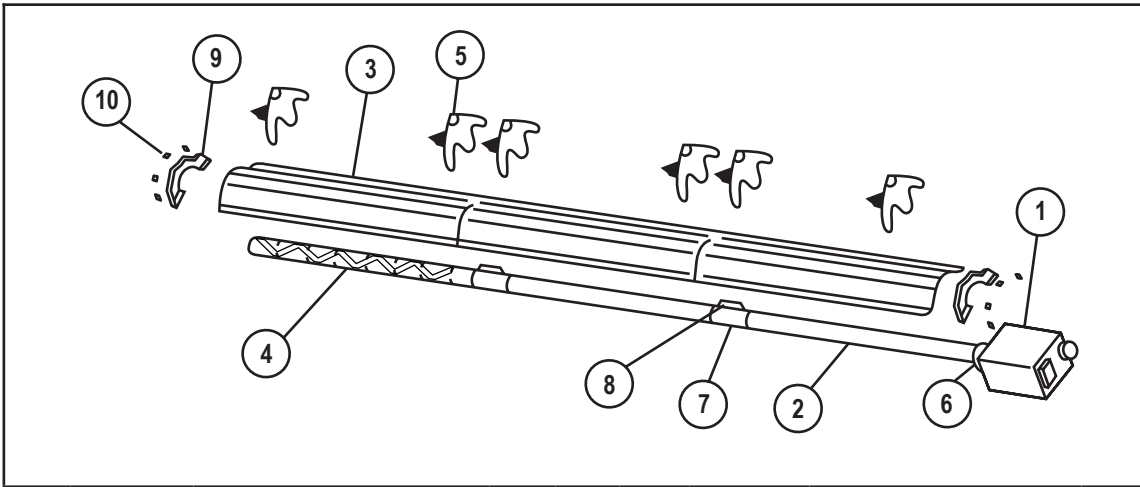


## ERXL-60

## ERXL-80

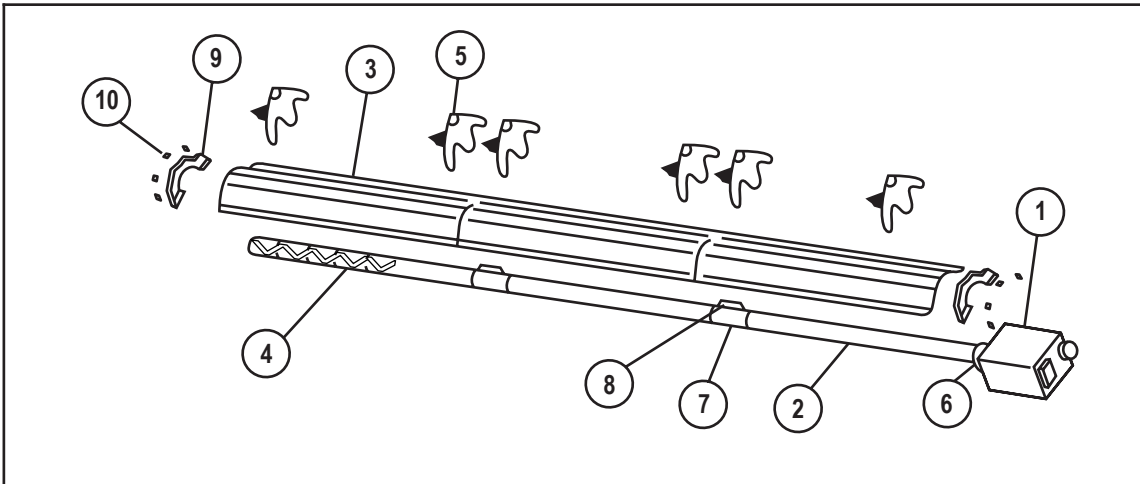
Item	Stock #	Description	QTY	Item	Stock#	Description	QTY
1	F102650XL	ERXL-60 NG / BRN & Cont Box	1	1	F102652XL	ERXL-80 LP / BRN CONT Box	1
	F102651XL	ERXL-60 LP / BRN & Cont Box	1		F102653XL	ERXL-80 NG / BRN CONT Box	1
2	F106404XL	ERXL-60, / Tube Set- 20'	1	2	F106404XL	ERXL-80, / Tube Set- 20'	1
	06413	Tube H.E. 4" O.D. X 10'	2		06413	Tube H.E. 4" O.D. X 10'	2
3	00418A	Reflector	2	3	00418A	Reflector	2
4	03445	Turbulator Baffle 10'	1	4	03445	Turbulator Baffle 10'	1
5	14585P	Hanger	4	5	14585P	Hanger	4
6	02753	Front Flange		6	02753	Front Flange	
7	14612	Tube Coupling	1	7	14612	Tube Coupling	1
8	14616	Key for Tube Coupling	1	8	14616	Key for Tube Coupling	1
9	00419	Reflector End Cap	2	9	00419	Reflector End Cap	2
10	09369	Spring Clips	8	10	09369	Spring Clips	8





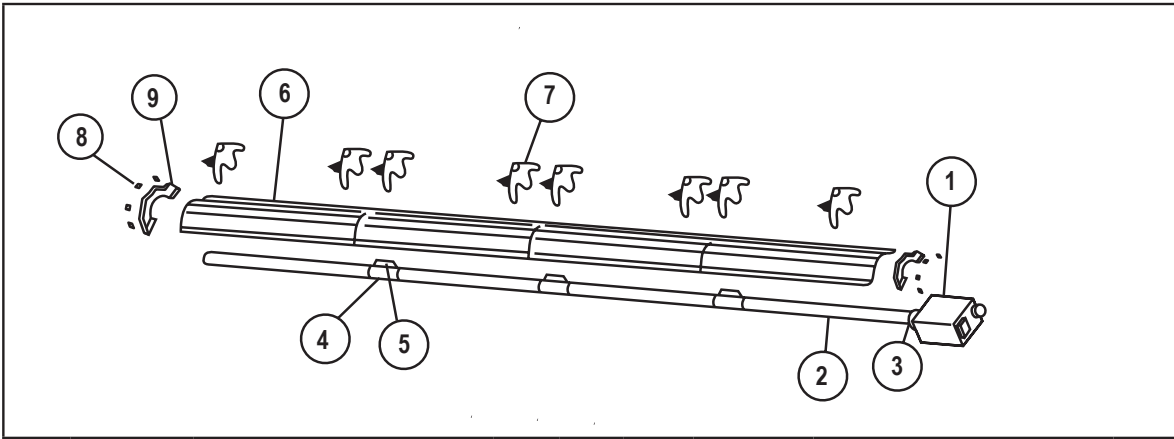
### ERXL-80

Item	Stock #	Description	QTY	Item	Stock#	Description	QTY
1	F102652XL	ERXL-80 NG / BRN & Cont Box	1	6	02753	Front Flange	1
	F102653XL	ERXL-80 LP / BRN & Cont Box	1	7	14612	Tube Coupling	2
2	F106405XL	ERXL-80, / Tube Set- 30'	1	8	14616	Key for Tube Coupling	2
	06413	Tube H.E. 4" O.D. X 10'	3	9	00419	Reflector End Cap	2
3	00418A	Reflector	3	10	09369	Spring Clips	8
4	03445	Turbulator Baffle 10'	1				
5	14585P	Hanger	6				

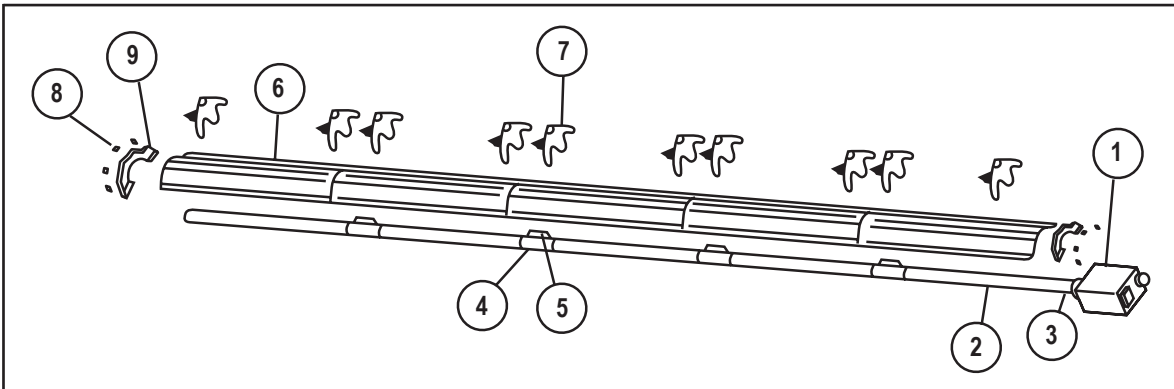


### ERXL-100

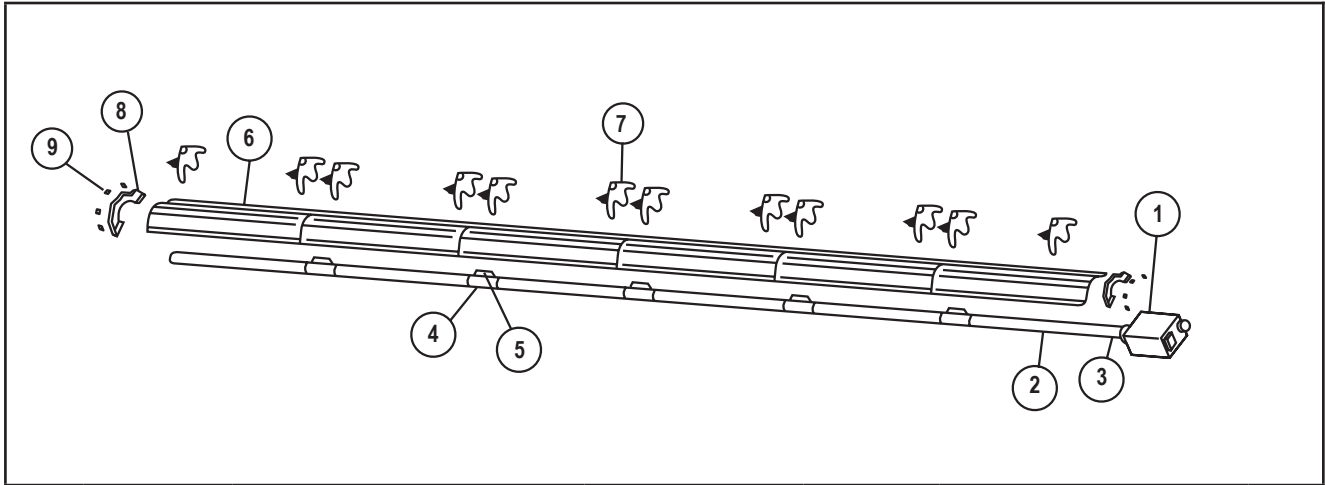
Item	Stock #	Description	QTY	Item	Stock#	Description	QTY
1	F102654XL	ERXL-100 NG / BRN & Cont Box	1	6	02753	Front Flange	1
	F102655XL	ERXL-100 LP / BRN & Cont Box	1	7	14612	Tube Coupling	2
2	F106401XL	ERXL-100, / Tube Set- 30'	1	8	14616	Key for Tube Coupling	2
	06413	Tube H.E. 4" O.D. X 10'	3	9	00419	Reflector End Cap	2
3	00418A	Reflector	3	10	09369	Spring Clips	8
4	03447	Turbulator Baffle 5'	1				
5	14585P	Hanger	4				



ERXL-100				ERXL-125			
Item	Stock #	Description	QTY	Item	Stock#	Description	QTY
1	F102654XL	ERXL-100 NG / BRN & Cont Box	1	1	F102656XL	ERXL-125 NG / BRN & Cont Box	1
	F102655XL	ERXL-100 LP / BRN & Cont Box	1		F102657XL	ERXL-125 LP / BRN & Cont Box	1
2	F106406XL	ERXL-100, / Tube Set- 40'	1	2	F106406XL	ERXL-125, / Tube Set- 40'	1
	06413	Tube H.E. 4" O.D. X 10'	4		06413	Tube H.E. 4" O.D. X 10'	4
6	02753	Front Flange	1	3	02753	Front Flange	1
4	14612	Tube Coupling	1	4	14612	Tube Coupling	1
5	14616	Key for Tube Coupling	1	5	14616	Key for Tube Coupling	1
6	00418A	Reflector	4	6	00418A	Reflector	4
7	14585P	Hanger	8	7	14585P	Hanger	8
8	00419	Reflector End Cap	2	8	00419	Reflector End Cap	2
9	09369	Spring Clips	8	9	09369	Spring Clips	8



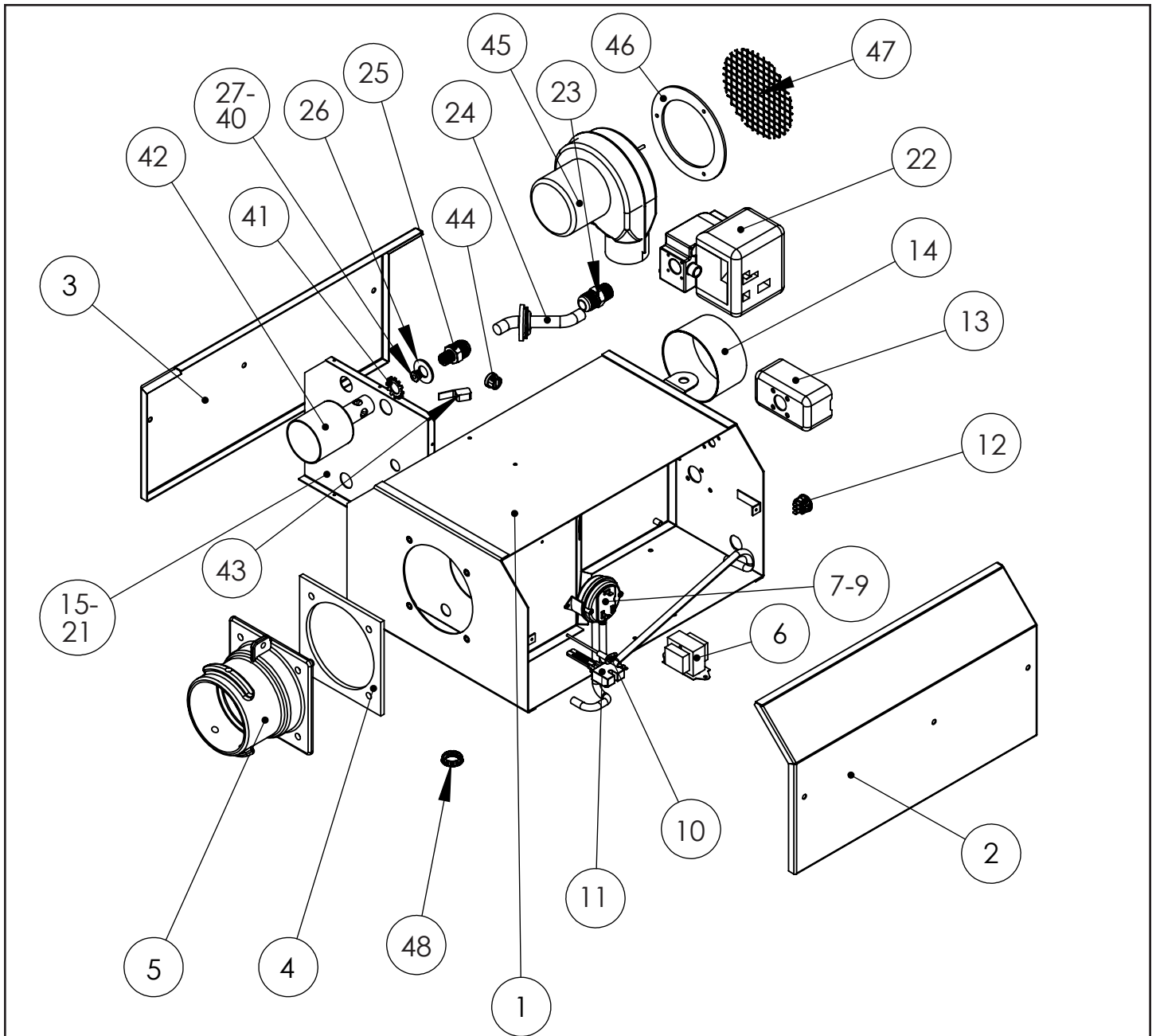
ERXL-125 / ERXL-150 / ERXL-175							
Item	Stock #	Description	QTY	Item	Stock#	Description	QTY
1	F102656XL	ERXL-125 NG / BRN & Cont Box	1	3	02753	Front Casting	1
1	F102657XL	ERXL-125 LP / BRN & Cont Box	1	4	14612	Tube Flange	2
1	F102658XL	ERXL-150 NG / BRN & Cont Box	1	5	14616	Key for Tube Coupling	2
1	F102659XL	ERXL-150 LP / BRN & Cont Box	1	6	00418A	Reflector	5
1	F102660XL	ERXL-175 NG / BRN & Cont Box	1	7	14585	Hanger	10
1	F102661XL	ERXL-175 LP / BRN & Cont Box	1	8	00419	Reflector End Cap	2
2	F106407XL	Tube Set- 50'	1	9	09369	Spring Clips	8
	06413	Tube H.E. 4" O.D. X 10'	3				



ERXL-150				ERXL-175			
Item	Stock #	Description	QTY	Item	Stock#	Description	QTY
1	F102658XL	ERXL-150 NG / BRN & Cont Box	1	1	F102660XL	ERXL-175 NG / BRN & Cont Box	1
1	F102659XL	ERXL-150 LP / BRN & Cont Box	1	1	F102661XL	ERXL-175 LP / BRN & Cont Box	1
2	F106403XL	Tube Set- 60'	1	2	F106403XL	Tube Set- 60'	1
	06413	Tube H.E. 4" O.D. X 10'	6		06413	Tube H.E. 4" O.D. X 10'	6
3	02753	Front Flange	1	3	02753	Front Flange	1
4	14612	Tube Coupling	5	4	14612	Tube Coupling	5
5	14616	Key for Tube Coupling	5	5	14616	Key for Tube Coupling	5
6	00418A	Reflector	6	6	00418A	Reflector	6
7	14585P	Hanger	12	7	14585P	Hanger	12
8	00419	Reflector End Cap	2	8	00419	Reflector End Cap	2
9	09369	Spring Clips	8	9	09369	Spring Clips	8

## ACCESSORY PARTS LIST

Stock Number	Description	INSTALLATION KITS			
10371.....	Thermostat 24 volt	F111751.....	Installation kit for 20' tube heater		
10392.....	Thermostat 110Volt	F111752.....	Installation kit for 30' tube heater		
17370.....	Chain Kit	F111753.....	Installation kit for 40' tube heater		
16401.....	24" Stainless Steel Flexible	F111754.....	Installation kit for 50' tube heater		
16405.....	1/2"x24" 3/4" Stainless Steel	F111755.....	Installation kit for 60' tube heater		
F106414.....	180° U-Tube Accessory Kit	Installation kit includes:			
F106415.....	90° Elbow Accessory Kit	24-volt thermostat, vent cap, 24" stainless steel flexible gas connector, gas shutoff valve, and chain kits required to hang heater.			
19021.....	Vent Adaptor	CONVERSION KITS			
06430.....	Vent Cap	<b>ERXL-40</b>			
00438.....	Side Reflector kit	<b>ERXL-60</b>	11732	LP TO NG	11733 NG TO LP
01376.....	Deflector kit (5')	<b>ERXL-80</b>	11734	LP TO NG	11735 NG TO LP
19031.....	Turnbuckle 5/16"-18"	<b>ERXL-100</b>	11736	LP TO NG	11737 NG TO LP
		<b>ERXL-125</b>	11738	LP TO NG	11739 NG TO LP
		<b>ERXL-150</b>	11740	LP TO NG	11741 NG TO LP
		<b>ERXL175</b>	11730	LP TO NG	11731 NG TO LP



ITEM#	EGI #	DESCRIPTION	QTY	ITEM#	EGI #	DESCRIPTION	QTY	ITEM#	EGI #	DESCRIPTION	QTY
1	02716XL	ENCLOSURE	1	17	05502XL	80K AIR PLATE	1	33	05712	100K ORIFICE (NG)	1
2	02725XL	CONTROL SIDE COVER	1	18	05501XL	100K AIR PLATE	1	34	05733	100K ORIFICE (LP)	1
3	02749XL	MOTOR SIDE COVER	1	19	05500XL	125K AIR PLATE	1	35	05703	125K ORIFICE (NG)	1
4	12397	FRONT FLANGE GASKET	1	20	05503XL	150K AIR PLATE	1	36	05730	125K ORIFICE (LP)	1
5	02753	FRONT TUBE FLANGE	1	21	05508XL	175K AIR PLATE	1	37	05796	150K ORIFICE (NG)	1
6	08364A	TRANSFORMER	1	22A	00016	HONEYWELL SMARTVALVE(NG)	1	38	05728	150K ORIFICE (LP)	1
7	02836	40K PRESSURE SWITCH	1	22B	00017	HONEYWELL SMARTVALVE(LP)	1	39	05799	175 ORIFICE (NG)	1
8	10413A	60-125K PRESSURE SWITCH	1	23	02758	GAS VALVE OUTLET FITTING	1	40	05725	175K ORIFICE (LP)	1
9	10414A	150K-175K PRESSURE SWITCH	1	24	17379	GAS MANIFOLD	1	41	98547	EXTERNAL TOOTH WASHER	1
10	02730	FLAME SENSOR ROD	1	25	02720	ORIFICE HOLDER FITTING	1	42	02371	BURNER CUP	1
11	02765	HOT SURFACE IGNITER	1	26	98541	ORIFICE HOLDER FLAT WASHER	1	43	10391A	DOOR SWITCH	1
12	02847	THERMOSTAT 3 TERMINAL BUSHING	1	27	05794	40K ORIFICE (NG)	1	44	02721	BLOWER 2-TERMINAL BUSHING	1
13	99101	ELECTRICAL JUNCTION BOX	1	28	05749	40K ORIFICE (LP)	1	45	07376	MOTOR	1
14	02747	BLOWER INTAKE FLANGE	1	29	05726	60K ORIFICE (NG)	1	46	12395	BLOWER GASKET	1
15	05510XL	40K AIR PLATE	1	30	05744	60K ORIFICE (LP)	1	47	02718	BLOWER SCREEN	1
16	05505XL	60K AIR PLATE	1	31	05718	80K ORIFICE (NG)	1	48	02795	SIGHT WINDOW	1
				32	05737	80K ORIFICE (LP)	1				



# OPERATING INSTRUCTIONS AND OWNER'S MANUAL



110V MODELS

ERXL-40	ERXL-60
ERXL-80	ERXL-100
ERXL-125	ERXL-150
ERXL-175	



## WARNING:

USE ONLY MANUFACTURER'S REPLACEMENT PARTS. USE OF ANY OTHER PARTS COULD CAUSE INJURY OR DEATH. REPLACEMENT PARTS ARE ONLY AVAILABLE DIRECT FROM THE FACTORY AND MUST BE INSTALLED BY A QUALIFIED SERVICE AGENCY.

## PARTS ORDERING INFORMATION:

### FOR INFORMATION REGARDING SERVICE OR PARTS

Contact your local heating service technician or dealer.

### FOR ADDITIONAL INFORMATION:

Please call Toll-Free 866-447-2194—[www.heatstarbyenerco.com](http://www.heatstarbyenerco.com)

Our office hours are 8:00 AM — 5:00 PM, EST, Monday through Friday.

Please have the model number, serial number and date of purchase ready.

## LIMITED WARRANTY

The company warrants this product to be free from imperfections in material or workmanship, under normal and proper use in accordance with instructions of the Heatstar Company, for a period of 10 years from the date of delivery to the buyer with the following exceptions.

- For installation in a car wash and in areas with exposure to corrosive chemicals, such as ammonia, chlorine, etc., the warranty will be limited to 2 years on tubes and 1 year on all other components.

The Heatstar Company, at its option, will repair or replace products returned by the buyer to the factory, transportation prepaid within said warranty period and found by the Heatstar Company to have imperfections in material or workmanship.

If a part is damaged or missing, call our Customer Service Department at 866-447-2194.

Address any Warranty Claims to the Customer Service Department, Enerco Group, Inc, 4560 W. 160TH ST., CLEVELAND, OHIO 44135. Include your name, address and telephone number and include details concerning the claim. Also, supply us with the purchase date and the name and address of the dealer from whom you purchased our product.

The foregoing is the full extent of the responsibility of the Heatstar Company. There are no other warranties, express or implied. Specifically there is no warranty of fitness for a particular purpose and there is no warranty of merchantability. In no event shall the Company be liable for delay caused by imperfections, for consequential damages, or for any charges of the expense of any nature incurred without its written consent. The cost of repair or replacement shall be the exclusive remedy for any breach of warranty. There is no warranty against infringement of the like and no implied warranty arising from course of dealing or usage of trade. This warranty will not apply to any product which has been repaired or altered outside of the factory in any respect which in our judgment affects its condition or operation.

Some states do not allow the exclusion or limitation of incidental or consequential damages, so the above limitation or exclusion may not apply to you. This Warranty gives you specific legal rights, and you may have other rights which vary from state to state.

Enerco Group, Inc reserves the right to make changes at any time, without notice or obligation, in colors, specifications, accessories, materials and models.

Enerco Group, Inc, 4560 W. 160TH ST., CLEVELAND, OHIO 44135 • 866-447-2194  
© 2018, Enerco Group, Inc All rights reserved





# INSTRUCTIONS D'UTILISATION ET MANUEL DU PROPRIÉTAIRE

No de modèle  
ERXL-40 ERXL-60  
ERXL-80 ERXL-100  
ERXL-125 ERXL-150  
ERXL-175

**VEUILLEZ LIRE ATTENTIVEMENT LES INSTRUCTIONS: VOTRE SÉCURITÉ EST IMPORTANTE POUR VOUS ET POUR LES AUTRES.** Lire et observer toutes les instructions. Conserver ces instructions dans un endroit sécuritaire pour vous y référer ultérieurement. Interdisez à quiconque n'ayant pas lu les présentes instructions d'assembler, d'allumer, de régler ou de faire fonctionner cette fournaise.



## Heatstar ERXL

Fournaises à infrarouge de faible intensité alimentées au gaz et approuvées pour applications commerciales

### LANGUES INCLUSES

- ANGLAIS
- FRANÇAIS
- ESPAGNOL

**AVERTISSEMENT:** Une installation, un réglage, une modification, une réparation ou un entretien incorrect peut entraîner des dommages matériels, des blessures ou la mort. Lisez attentivement les instructions d'installation, de fonctionnement et d'entretien avant de procéder à l'installation ou à l'entretien de cet équipement.

— QUOI FAIRE SI VOUS SENTEZ DU GAZ

- Ouvrez les fenêtres
- **N'ESSAYEZ PAS** d'allumer quelque appareil que ce soit.
- **NE BASCULEZ PAS** les interrupteurs électriques.
- **N'UTILISEZ PAS** les téléphone dans l'édifice. Appelez immédiatement votre fournisseur de gaz local à partir du téléphone d'un voisin. Suivez les instructions du fournisseur de gaz.
- **Ne touchez** à aucun commutateur électrique; n'utilisez aucun téléphone dans votre bâtiment.
- L'installation et l'entretien doivent être réalisés par un installateur qualifié, une entreprise d'entretien ou un fournisseur de gaz.
- Si vous ne pouvez pas rejoindre votre fournisseur de gaz, appelez le service des incendies.

### POUR VOTRE SÉCURITÉ :

N'entrez et n'utilisez pas d'essence ou d'autres liquides ou vapeurs inflammables à proximité de ce type d'appareil ou de tout autre appareil.

**AVERTISSEMENT :** Si l'information dans ces instructions n'est pas suivie exactement, un incendie ou une explosion pourrait se produire causant des dommages aux biens, des blessures personnelles ou un décès.



### AVERTISSEMENT:

⚠ VOTRE SÉCURITÉ EST IMPORTANTE POUR VOUS ET POUR LES AUTRES, PAR CONSÉQUENT VEUILLEZ LIRE CES DIRECTIVES AVANT DE FAIRE FONCTIONNER CET APPAREIL DE CHAUFFAGE.

### AVERTISSEMENT GÉNÉRAL DE DANGER:

- ⚠ LE NON-RESPECT DES MESURES DE PRÉVENTION ET DES INSTRUCTIONS FOURNIES AVEC CET APPAREIL DE CHAUFFAGE RISQUE DE CAUSER LA MORT, DES BLESSURES GRAVES ET DES DOMMAGES OU DES PERTES MATÉRIELLES RÉSULTANT D'INCENDIE, D'EXPLOSION, DE BRÛLURE, D'ASPHYXIE, D'INTOXICATION AU MONOXYDE DE CARBONE ET/OU D'ÉLECTROCUTION.
- ⚠ SEULES LES PERSONNES APTES À COMPRENDRE ET À RESPECTER LES INSTRUCTIONS DEVRAIENT UTILISER OU EFFECTUER LE SERVICE DE CET APPAREIL DE CHAUFFAGE.
- ⚠ SI VOUS AVEZ BESOIN D'AIDE OU D'INFORMATION CONCERNANT la fournaise TELS QUE MANUEL D'INSTRUCTIONS, ÉTIQUETTES, ETC., VEUILLEZ COMMUNIQUER AVEC LE FABRICANT.

### WARNING:

⚠ DANGER D'INCENDIE, D'INHALATION ET D'EXPLOSION. GARDEZ LES COMBUSTIBLES SOLIDES TELS QUE LES MATÉRIEAUX DE CONSTRUCTION LE PAPIER ET LE CARTON À UNE DISTANCE SÉCURITAIRE DE L'APPAREIL DE CHAUFFAGE TEL QUE RECOMMANDÉ DANS LES INSTRUCTIONS. N'UTILISEZ JAMAIS la fournaise DANS UN ENDROIT QUI CONTIENT OU RISQUE DE CONTENIR DES COMBUSTIBLES VOLATILES OU EN SUSPENSION DANS L'AIR, OU DES PRODUITS TELS QUE DE L'ESSENCE, DES SOLVANTS, DU DILUANT À PEINTURE, DES PARTICULES DE POUSSIÈRE OU DES PRODUITS CHIMIQUES INCONNUS.

⚠ **AVERTISSEMENT:** LES SOUS-PRODUITS DE COMBUSTION ÉMIS LORS DE L'UTILISATION DE CET APPAREIL CONTIENNENT DU MONOXYDE DE CARBONE, UN PRODUIT CHIMIQUE RECONNU PAR L'ÉTAT DE CALIFORNIE COMME POUVANT CAUSER LE CANCER ET DES MALFORMATIONS CONGÉNITALES (OU AUTRES DOMMAGES AU SYSTÈME REPRODUCTEUR). POUR PLUS D'INFORMATIONS, VISITEZ [WWW.P65WARNINGS.CA.GOV](http://WWW.P65WARNINGS.CA.GOV)

⚠ **AVERTISSEMENT:** Les carburants utilisés dans les appareils à des produits chimiques, notamment le benzène, connu en Californie pour causer le cancer et causer des malformations congénitales ou d'autres problèmes de reproduction. [www.P65Warnings.ca.gov](http://www.P65Warnings.ca.gov)

## CONTENU

Section 1 PRÉSENTATION .....	2
Section 2 PLANIFICATION .....	3
Section 3 INSTALLATION ET ASSEMBLAGE .....	6
Section 4 SPÉCIFICATIONS D'INGÉNIERIE .....	13
Section 5 AÉRATION/CONDUITE .....	14
Section 6 CONDUITE DE GAZ .....	17
Section 7 CÂBLAGE .....	18
Section 8 ENTRETIEN DU FONCTIONNEMENT .....	18
Section 9 DÉPANNAGE .....	21
PIÈCES DE RECHANGE .....	22
INFORMATION SUR LA GARANTIE .....	28

## SECTION 1 : Présentation

Les modèles Heatstar ERXL sont des fournaises économiques, à infrarouge facilement assemblées sur le terrain et qui demandent seulement un entretien minime. Elles sont conçues pour fournir des années d'utilisation économique et de service exempt de problèmes.

### Vérification de l'expédition

Vérifiez l'expédition par rapport au connaissance pour toute pièce manquante. De plus, vérifiez pour tout dommage externe aux boîtes. Prenez note de toute pièce manquante, ou de tout dommage externe aux boîtes, sur le connaissance en présence du conducteur

du camion de livraison. Le conducteur du camion de livraison doit reconnaître toute pièce manquante ou tout dommage en posant ses initiales sur ce connaissance « annoté ». Signalez immédiatement toute réclamation pour du matériel endommagé ou des pièces manquantes qui n'étaient pas évidents au moment de l'expédition, au transporteur et à votre représentant d'usine Enerco Group, Inc.

### Responsabilité de l'installateur

Toutes les fournaises et les conduites de gaz associées doivent être installées selon les spécifications applicables et cette installation doit être effectuée selon par des entreprises (ou des individus) très qualifiés dans ce type de travail. Consultez les inspecteurs locaux des bâtiments, le service des incendies ou votre représentant local d'usine Enerco Group, Inc pour de l'aide.

Les fournaises Heatstar ERXL sont installées sur la base de l'information fournie dans un dessin de la disposition des lieux, qui ensemble avec les codes et réglementations cités, sont l'information de base requise pour terminer l'installation. L'installateur doit fournir tout le matériel requis qui n'est pas fournis comme équipement standard, et il en est de sa responsabilité de s'assurer qu'un tel matériel, ainsi que les méthodes d'installation utilisées lors d'une installation, sont professionnels et selon tous les codes en vigueur.

Les représentants d'usine Enerco Group, Inc ont reçu une formation et ont l'expérience dans l'installation de cet équipement et peuvent être appelés pour des suggestions concernant l'installation, ce qui peut économiser du matériel et de l'argent.

## SECTION 2 : Planification

Les codes et instructions suivants doivent être suivis lors de la planification de l'installation de la fournaise Heatstar ERXL. En plus de ces instructions, les avertissements à la (Section 1) doivent être soigneusement suivis puisqu'une installation incorrecte peut mener à des dommages aux biens, des blessures ou même la mort.

### Normes nationales et codes applicables

#### Codes du gaz :

- Le type de gaz apparaissant sur la plaque d'identification doit être le type de gaz utilisé. L'installation doit être conforme avec les codes locaux et les recommandations de l'entreprise locale de gaz, ainsi qu'avec le code national du gaz combustible, ANSI Z223.1, dernière révision, (même que le NFPA bulletin 54), ou le code d'installation du propane et du gaz naturel, CSA B149.1.
- L'espace libre entre la fournaise et son évent et le matériel combustible près (qui fait partie du bâtiment ou de son contenu) doivent être maintenus conformes selon la norme pour l'installation des appareils au gaz et des conduites de gaz, NFPA-54 / ANSI Z223.1, dernière révision, code national du gaz combustible ou code d'installation du gaz naturel et du propane, CSA B149.1.

#### Hangars d'aéronefs :

- L'installation dans des hangars d'aéronefs doit être en conformité avec la norme pour les hangars d'aéronefs, ANSI/NFPA-409, dernière révision.
- Les fournaises dans les zones d'entretien ou d'entreposage d'aéronefs doivent être installées à une hauteur de 3 m (10 pi) au-dessus de la surface des ailes ou des bords de l'aéronef le plus élevé pouvant être abrité dans le hangar. (Cela doit être mesuré du bas de la fournaise jusqu'à l'aile ou le bord de l'aéronef, selon la partie la plus élevée à partir du plancher).
  - Dans les autres sections des hangars d'aéronefs, comme les boutiques ou les bureaux, les fournaises ne doivent pas être installées à moins de 2,4 m (8 pi) au-dessus du plancher.
  - Les fournaises installées dans les hangars d'aéronefs doivent être placées de façon à ne pas subir de dommages par les aéronefs, les grues, les échafaudages mobiles ou les autres objets.

#### Garages publics :

- Les installations dans les garages doit être effectuées selon la norme pour les structures de stationnement, NFPA-88A, dernière révision ou la norme pour les garages de réparation, NFPA-88B, dernière révision.
- Les fournaises ne doivent pas être installées à moins de 2,4 m (8 pi) du plancher. L'espace libre minimum des combustibles doit être maintenu des véhicules stationnés sous la fournaise.
  - Lorsque les fournaises sont installés au-dessus d'appareils de levage, un espace libre minimum des combustibles doit être maintenu de la partie la plus élevée de l'appareil de levage.

#### Aération :

- L'aération doit être installée selon la dernière révision d'ANSI Z223.1 ou CSA 149.1. L'information partielle concernant ce code est fournie dans (Section 5) de ce manuel d'installation avec la grandeur et les configurations pour les dispositions d'aération.
- Toute partie de la conduite de fumées passant à travers un mur combustible doit être isolée en double ou avoir une bague approuvée. Consultez la dernière révision d'ANSI Z223.1 ou CSA 149.1.

#### Emplacements dangereux :

Là où il est possible d'avoir une exposition à des vapeurs ou des matériaux aériens combustibles, consultez le service des incendies local, la compagnie d'assurance-incendie ou les autres autorités pour l'approbation de l'installation proposée.

### Considérations critiques

Ener-Radiant ER2STG est une fournaise suspendue. Ainsi, sa stabilité, flexibilité et sécurité sont très importantes. Avant de commencer l'installation, assurez-vous que le système répond aux exigences suivantes.

- Conservez des espaces libres minimum des combustibles, et une distance sécuritaire de tout matériau, équipement et station de travail sensibles à la chaleur.
- Les espaces libres indiqués vers les combustibles représentent une température de surface de 30 °C (90 °F) au-dessus de la température de la pièce. Les matériaux de construction avec une faible tolérance à la chaleur (comme le plastique, les parements de vinyle, les toiles, etc.) peuvent être sujets à de la dégradation aux températures les plus basses. Il en est de la responsabilité de l'installateur de s'assurer que les matériaux adjacents sont protégés de la dégradation.
- Offrir une suspension avec la longueur verticale d'une chaîne ou d'une tige de rotation qui possède au moins 5,1 cm (2 po) de déplacement horizontal pour chaque brûleur en course droite. Assurez-vous que le système de suspension est assez flexible pour accommoder l'expansion thermique qui se produit alors que le système se réchauffe (voir la Fig. 6 à la page 12).
- Offrir un accès aux brûleurs pour l'entretien, de préférence sur les deux côtés, au-dessus et derrière le brûleur pour le retrait.
- Offrir un espace libre minimum de 45,7 cm (18 po) entre les brûleurs et les murs de construction. (Respectez toujours les espaces libres minimum vers les combustibles).
- S'assurer que le brûleur possède une pente descendante de 1,2 cm (0,5 po) par éloignement de 6,1 m (20 pi) du brûleur.
- Poser des avis dans les zones d'entreposage pour spécifier la hauteur d'empilement maximal pour conserver les espaces libres requis vers les combustibles.
- Planifier le soutien sur les lieux (voir la Fig. 2A-G à la page 8). Trouvez un soutien près de tous les coudes.
- L'installation doit se conformer avec les codes locaux de construction, ou en l'absence de tels codes, avec le code national du gaz combustible, ANSI Z223.1/NFPA 54 ou le code d'installation du propane et du gaz naturel, CSA B149.1.
- Si une source électrique externe est utilisée, la fournaise, lorsqu'elle est installée, doit être électriquement mise à la terre selon le code national de l'électricité, ANSI/NFPA 70 ou l'actuel code canadien de l'électricité, CSA C22.1.

#### Available Venting Kits

F102848	Kit D'évent Vertical (4 pouce. 10 cm)
F102849	Kit D'évent Vertical (4 pouce. 15 cm)
F102860	Kit D'évent Vertical (4 pouce. 10 cm)

## Espaces libres aux combustibles

TABLEAU 1 : Espaces libres minimum aux combustibles (utiliser la Fig. 1 sur la page 5 comme guide)

Reflector Type	Position	ERXL-40	ERXL-60	ERXL-80	ERXL-100	ERXL-125	ERXL-150	ERXL-175
Standard Reflector (Horizontal)	A	6" (15,25cm)	6" (15,25cm)	6" (15,25cm)	6" (15,25cm)	6" (15,25cm)	6" (15,25cm)	8" (20,5 cm)
	B	30" (76,25 cm)	30" (76,25 cm)	36" (30,5 cm)	36" (30,5 cm)	36" (30,5 cm)	36" (30,5 cm)	36" (30,5 cm)
	C	55" (140 cm)	55" (140 cm)	55" (140 cm)	74" (188 cm)	87" (221 cm)	87" (221 cm)	87" (221 cm)
	D	30" (76,25 cm)	30" (76,25 cm)	36" (30,5 cm)	36" (30,5 cm)	36" (30,5 cm)	36" (30,5 cm)	36" (30,5 cm)
45° Reflector Tilt	A	12" (30,5 cm)	12" (30,5 cm)	18" (46 cm)	18" (46 cm)	18" (46 cm)	18" (46 cm)	18" (46 cm)
	B	30" (76,25 cm)	30" (76,25 cm)	36" (30,5 cm)	36" (30,5 cm)	36" (30,5 cm)	36" (30,5 cm)	36" (30,5 cm)
	C	55" (140 cm)	55" (140 cm)	55" (140 cm)	74" (188 cm)	87" (221 cm)	87" (221 cm)	87" (221 cm)
	E	36" (30,5 cm)	36" (30,5 cm)	36" (30,5 cm)	36" (30,5 cm)	36" (30,5 cm)	36" (30,5 cm)	36" (30,5 cm)
	F	60" (152,5 cm)	60" (152,5 cm)	60" (152,5 cm)	60" (152,5 cm)	60" (152,5 cm)	60" (152,5 cm)	60" (152,5 cm)
U-Tube Standard (Horizontal)	A	6" (15,25cm)	6" (15,25cm)	6" (15,25cm)	6" (15,25cm)	6" (15,25cm)	6" (15,25cm)	8" (20,5 cm)
	B	30" (76,25 cm)	30" (76,25 cm)	36" (30,5 cm)	36" (30,5 cm)	36" (30,5 cm)	36" (30,5 cm)	36" (30,5 cm)
	C	55" (140 cm)	55" (140 cm)	55" (140 cm)	74" (188 cm)	87" (221 cm)	87" (221 cm)	87" (221 cm)
	D	30" (76,25 cm)	30" (76,25 cm)	36" (30,5 cm)	36" (30,5 cm)	36" (30,5 cm)	36" (30,5 cm)	36" (30,5 cm)
U-Tube Opposite 45°	A	12" (30,5 cm)	12" (30,5 cm)	18" (46 cm)	18" (46 cm)	18" (46 cm)	18" (46 cm)	18" (46 cm)
	B	30" (76,25 cm)	30" (76,25 cm)	36" (30,5 cm)	36" (30,5 cm)	36" (30,5 cm)	36" (30,5 cm)	36" (30,5 cm)
	C	55" (140 cm)	55" (140 cm)	55" (140 cm)	74" (188 cm)	87" (221 cm)	87" (221 cm)	87" (221 cm)
	F	60" (152,5 cm)	60" (152,5 cm)	60" (152,5 cm)	60" (152,5 cm)	60" (152,5 cm)	60" (152,5 cm)	60" (152,5 cm)
U-Tube Full 45°	A	12" (30,5 cm)	12" (30,5 cm)	18" (46 cm)	18" (46 cm)	18" (46 cm)	18" (46 cm)	18" (46 cm)
	B	30" (76,25 cm)	30" (76,25 cm)	36" (30,5 cm)	36" (30,5 cm)	36" (30,5 cm)	36" (30,5 cm)	36" (30,5 cm)
	C	55" (140 cm)	55" (140 cm)	55" (140 cm)	74" (188 cm)	87" (221 cm)	87" (221 cm)	87" (221 cm)
	E	36" (30,5 cm)	36" (30,5 cm)	36" (30,5 cm)	36" (30,5 cm)	36" (30,5 cm)	36" (30,5 cm)	36" (30,5 cm)
	F	60" (152,5 cm)	60" (152,5 cm)	60" (152,5 cm)	60" (152,5 cm)	60" (152,5 cm)	60" (152,5 cm)	60" (152,5 cm)
Unvented	Above A	36" (30,5 cm)	36" (30,5 cm)	36" (30,5 cm)	36" (30,5 cm)	36" (30,5 cm)	36" (30,5 cm)	36" (30,5 cm)

### AVERTISSEMENT :

#### RISQUES D'EXPLOSION ET D'INCENDIE

#### PEUT PROVOQUER DES DOMMAGES AUX BIENS, DES BLESSURES GRAVES OU MÊME LA MORT.

Dans tous les cas, les espaces libres aux combustibles doivent être maintenus. Omettre de respecter les espaces libres aux combustibles peut entraîner des dommages aux biens, des blessures graves et même la mort.

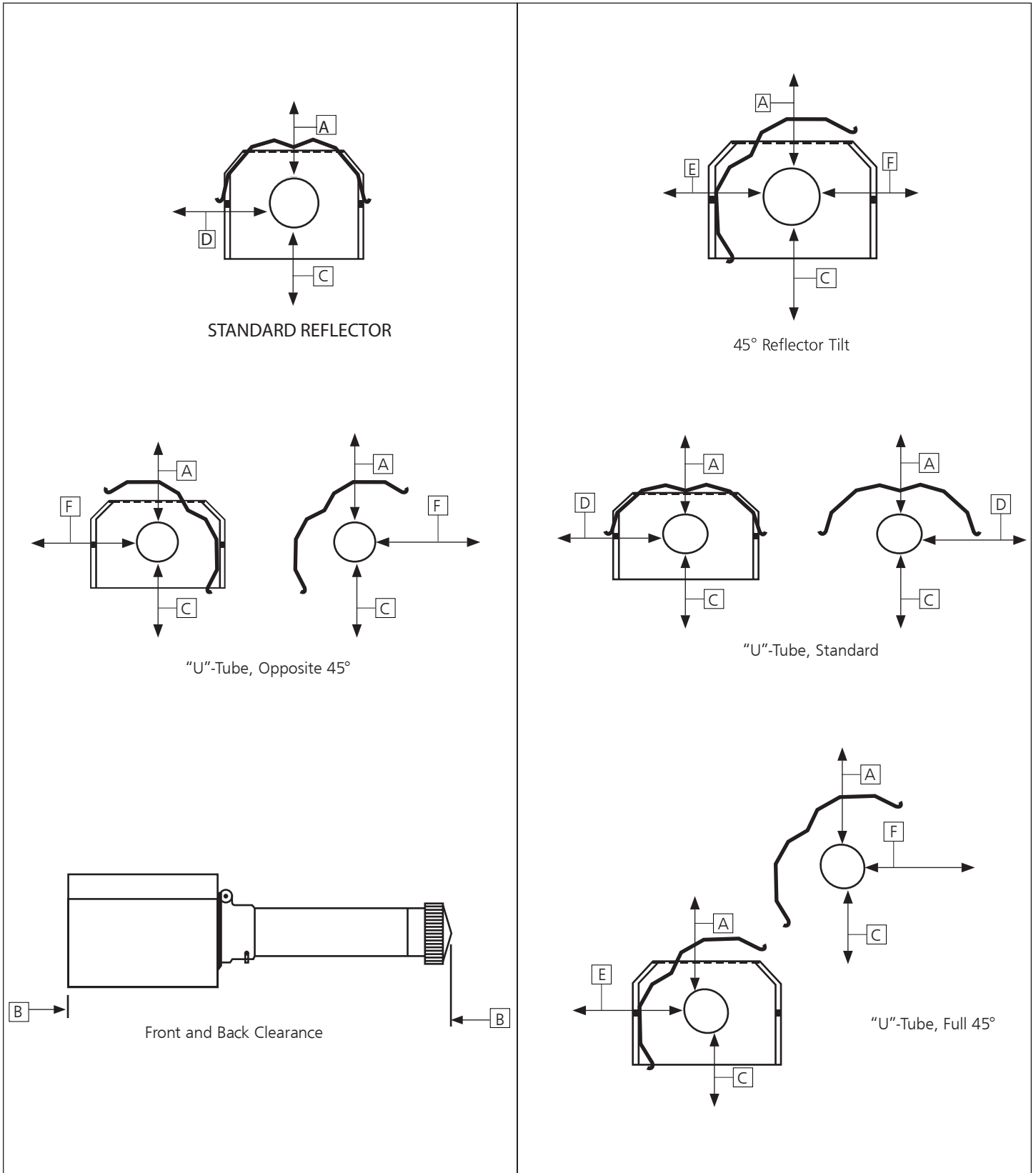
Les espaces libres minimum doivent être maintenus des véhicules stationnés sous la fournaise. Des avis doivent être placés dans les zones d'entreposage pour spécifier la hauteur d'empilement maximal pour conserver les espaces libres requis vers les combustibles.

On doit être prudent lors de l'utilisation du système près de matériaux combustibles comme le bois, le papier, le caoutchouc, etc. Également lorsqu'il s'agit des partitions, des étagères de rangement, des appareils de levage, de construction de bâtiments, etc.

Le TABLEAU 1 indique les espaces libres acceptables minimum aux combustibles. Les espaces libres indiqués dans le TABLEAU 1 ne sont pas pour être utilisé dans des enceintes sur les quatre côtés.

# Espaces libres aux combustibles

Figure 1 : Espaces libres aux combustibles (voir le TABLEAU 1 à la page 4)



## SECTION 3 : Installation et assemblage

COUPLAGE DU TUBE (14612)



CLÉ POUR LE COUPLAGE DU TUBE  
(14616)

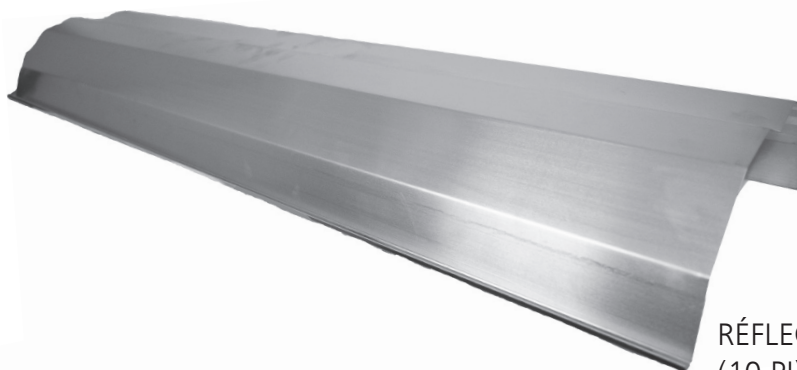
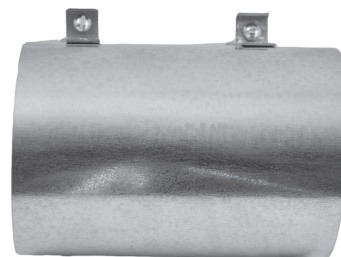


SUPPORT DU TUBE  
(14585P)

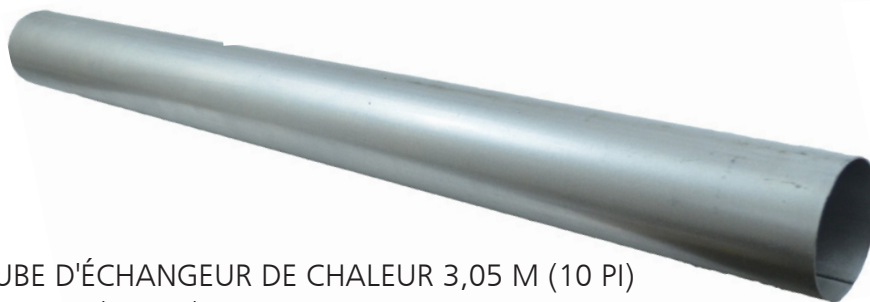


BOÎTE DU BRÛLEUR

RACCORD D'ÉVENT  
(19021)



RÉFLECTEUR 3,05 M  
(10 PI) (00418A)



TUBE D'ÉCHANGEUR DE CHALEUR 3,05 M (10 PI)  
(06413)



DÉFLECTEUR TURBULATEUR 1,5 M (5 PI) (03445)  
DÉFLECTEUR TURBULATEUR 3 M (10 PI) (03447)

\*\*NON INCLUS AVEC TOUS LES MODÈLES\*\*

## Procédures d'installation

Prenez avantage au maximum de la structure supérieure du bâtiment, des poutres, des solives, des pannes, etc., d'où il est possible de suspendre la fournaise. Il n'existe pas une séquence unique d'installation des conduites. Les observations sur le site révèlent habituellement une séquence logique. Commencez l'installation à la dimension la plus critique. Cela pourrait vous sauver du temps. Faites attention aux portes pivotantes, aux ponts roulants, aux appareils de levage de véhicules, etc. Les réflecteurs et les conduites peuvent être installés au fur et à mesure. Réglez soigneusement la pente du système à chaque position afin de mettre à niveau la fournaise. Réglez vers le bas de 1,2 cm (0,5 po) par éloignement de la fournaise de 6,1 m (20 pi).

### NE PAS FAIRE

Tester la pression des conduites de gaz à l'aide d'une pression élevée (plus de 3,45 KPa/0,5 PSIG) sans fermer le robinet d'arrêt de la pression élevée. Omettre cela peut endommager les brûleurs.

## À FAIRE

Familiarisez-vous avec les codes locaux et nationaux.

Développez une procédure planifiée qui conserve les matériaux et la main-d'œuvre sur le site.

Vérifiez que tout le matériel et l'équipement sont sur le site avant de commencer l'installation.

Permettez une expansion thermique des tubes chauds.

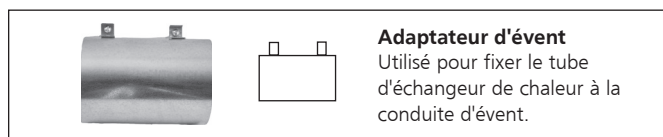
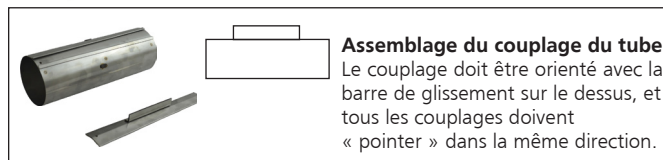
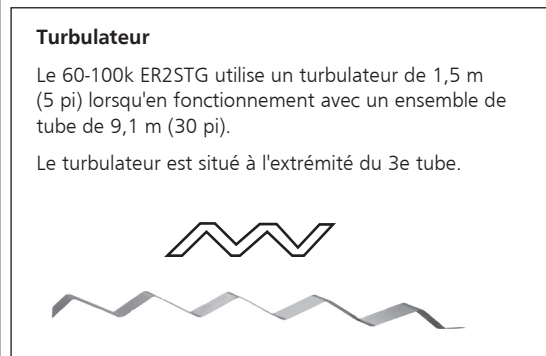
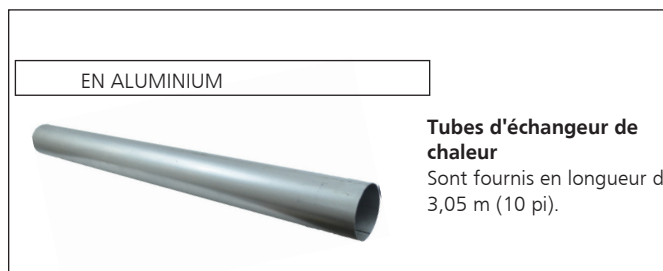
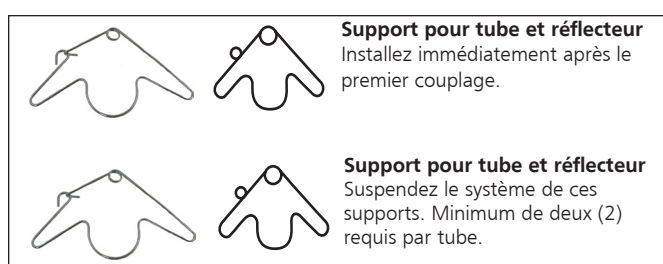
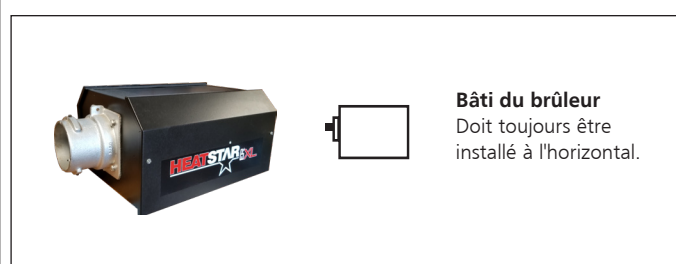
Installez le connecteur de gaz seulement comme indiqué dans les instructions (voir la Fig. 14 à la page 16).

Ayez des joints coulissants requis entre les réflecteurs pour les empêcher de gauchir ou de se séparer.

Fournissez 6,45 cm ca (1 po ca) d'ouverture d'air pour chaque 293 W d'entrée de fournaise (mais pas moins que 645 cm ca/100 po ca) dans des espaces clos. Une ouverture doit être dans les 30,5 cm (12 po) du haut et une autre dans les 30,5 cm (12 po) du bas de l'enceinte.

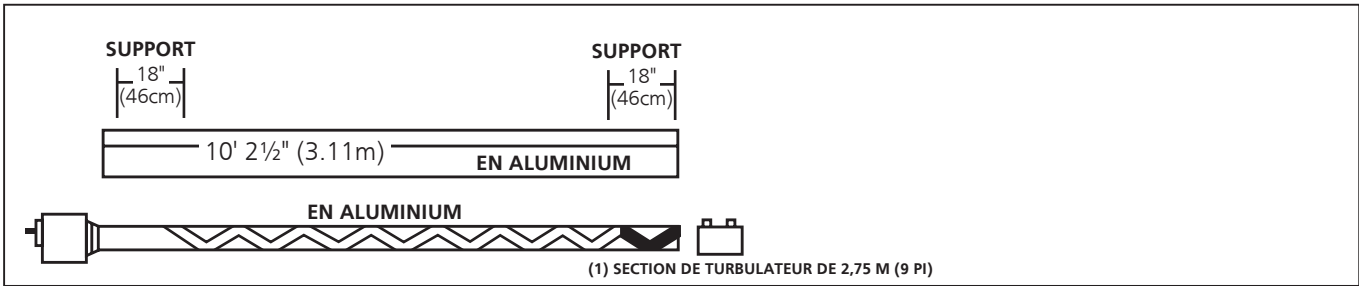
FIGURE 2 : Aperçu Ener-Radiant XL

Assemblez les composants de la fournaise comme illustrés aux Fig. 2a, 2b, 2c, 2d. Les configurations des réflecteurs en option sont illustrées à la (Fig. 1). Installez la quincaillerie appropriée de suspension, les pinces de poutres, la chaîne ou la tige aux emplacements prédéterminés. Le réglage de la longueur de la chaîne offre un pas uniforme.



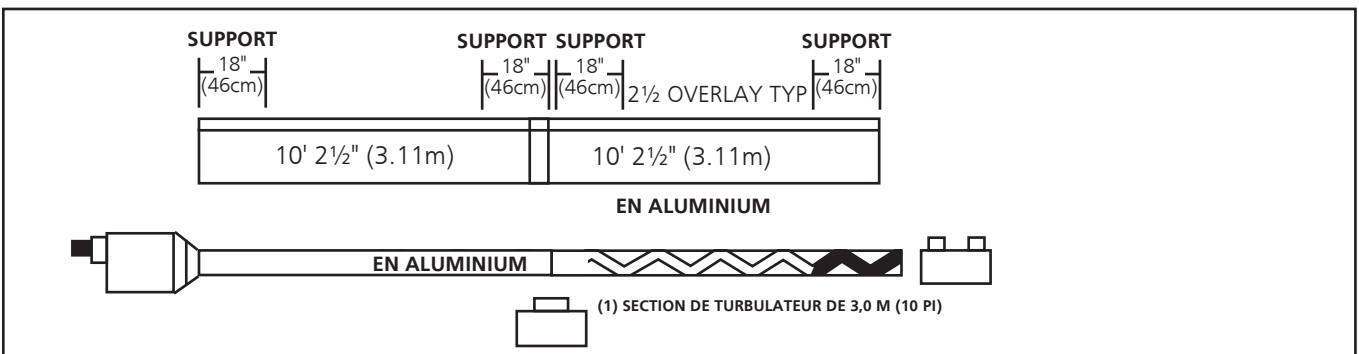
**FIGURE 2A : Aperçu de l'assemblage Ener-Radiant modèle ERXL-40**

Longueur de l'échangeur de 3,0 m (10 pi). Longueur totale de la fournaise de 3,35 m (11 pi) 10 cm (4 po) . 2 points de suspension comme indiqué.



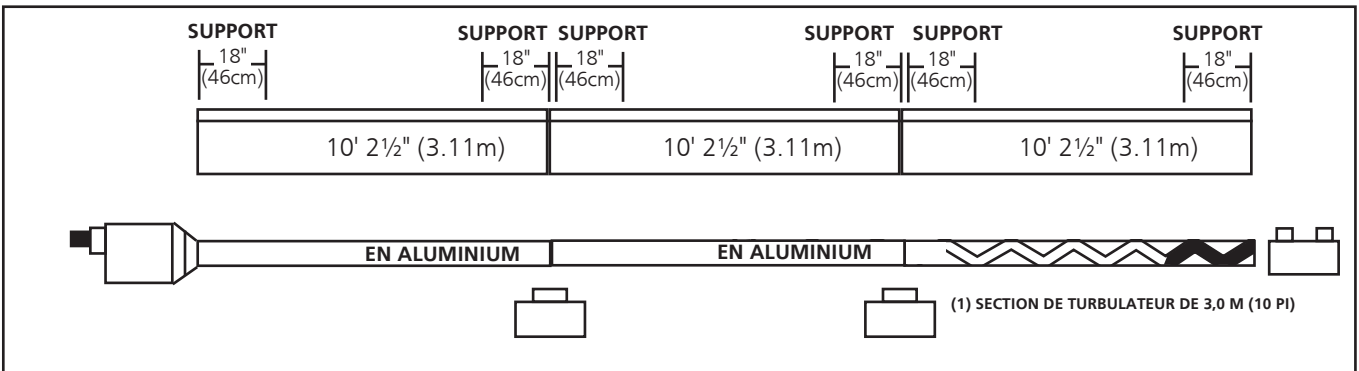
**FIGURE 2B : Modèle Ener-Radiant Ener-Radiant XL Model ERXL-60, ERXL-80**

Longueur de l'échangeur de 6,0 m (20 pi). Longueur totale de la fournaise de 6,4 m (21 pi) - 10 cm (4 po). 4 points de suspension comme indiqué.



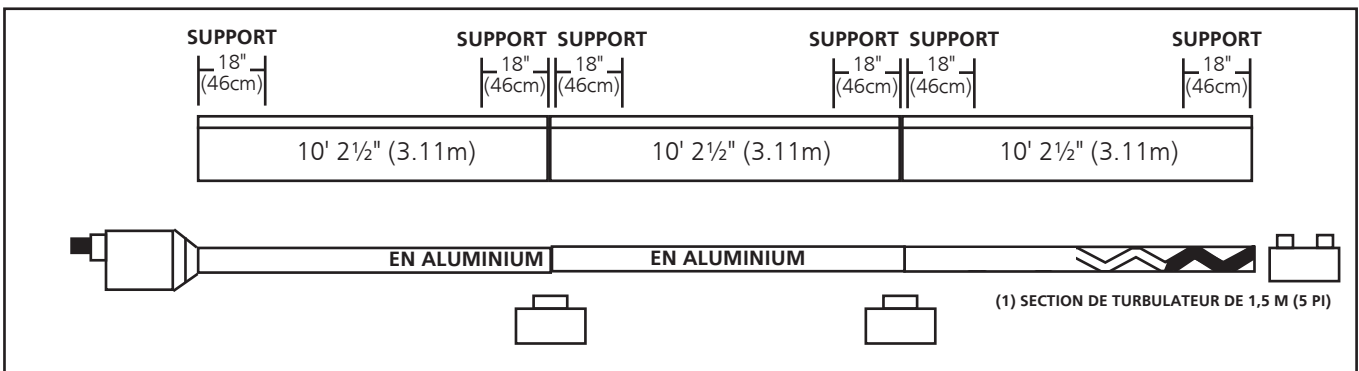
**FIGURE 2C : Modèle Ener-Radiant Ener-Radiant XL Model ERXL-80**

Longueur de l'échangeur de 9,1 m (30 pi). Longueur totale de la fournaise de 9,4 m (31 pi) - 10 cm (4 po). 6 points de suspension comme indiqué.



**FIGURE 2D : Modèle Ener-Radiant Ener-Radiant XL Model ERXL-100**

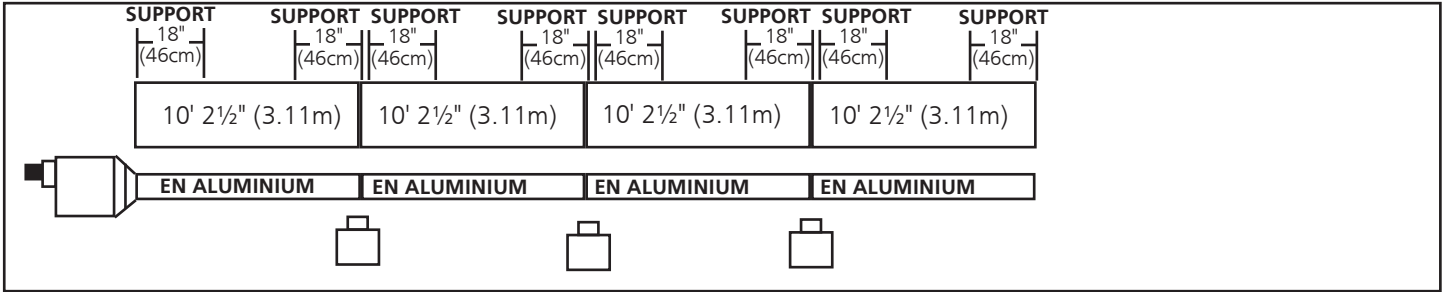
Longueur de l'échangeur de 9,1 m (30 pi). Longueur totale de la fournaise de 9,4 m (31 pi) - 10 cm (4 po). 6 points de suspension comme indiqué.





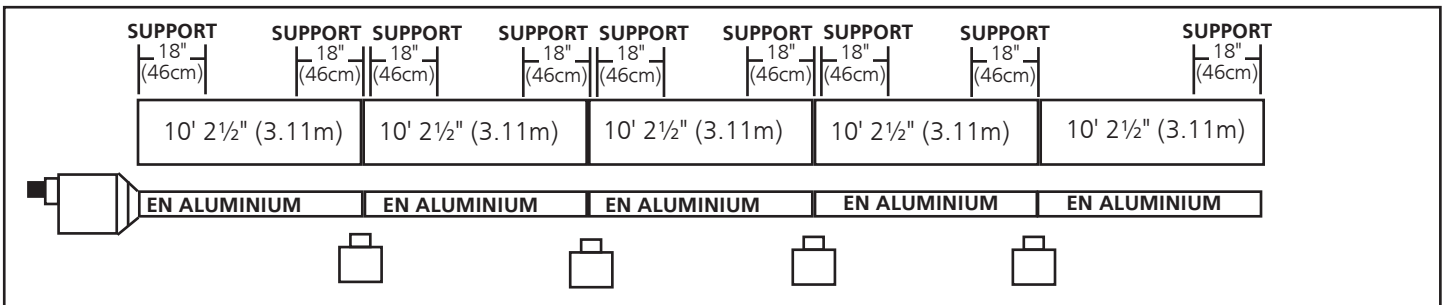
**FIGURE 2E : Modèle Ener-Radiant Ener-Radiant XL Model ERXL-100, ERXL-125**

Longueur de l'échangeur de 12,2 m (40 pi). Longueur totale de la fournaise de 12,5 m (41 pi) - 10 cm (4 po). 8 points de suspension comme indiqué.



**FIGURE 2F : Modèle Ener-Radiant Ener-Radiant XL Model ERXL-125, ERXL-150, ERXL-175**

Longueur de l'échangeur de 15,2 m (50 pi). Longueur totale de la fournaise de 15,5 m (51 pi) - 10 cm (4 po). 8 points de suspension comme indiqué.



**FIGURE 2G : Modèle Ener-Radiant Ener-Radiant XL Model ERXL-150, ERXL-175**

Longueur de l'échangeur de 18,2 m (60 pi). Longueur totale de la fournaise de 18,5 m (51 pi) - 10 cm (4 po). 8 points de suspension comme indiqué.

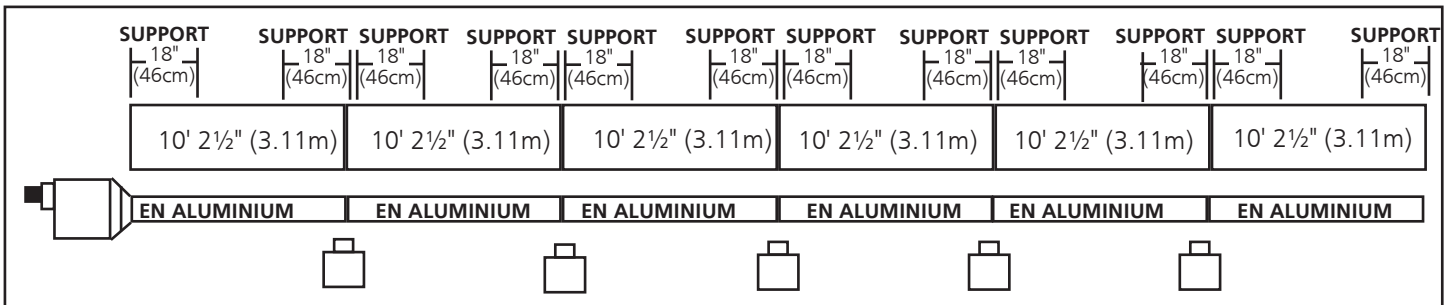
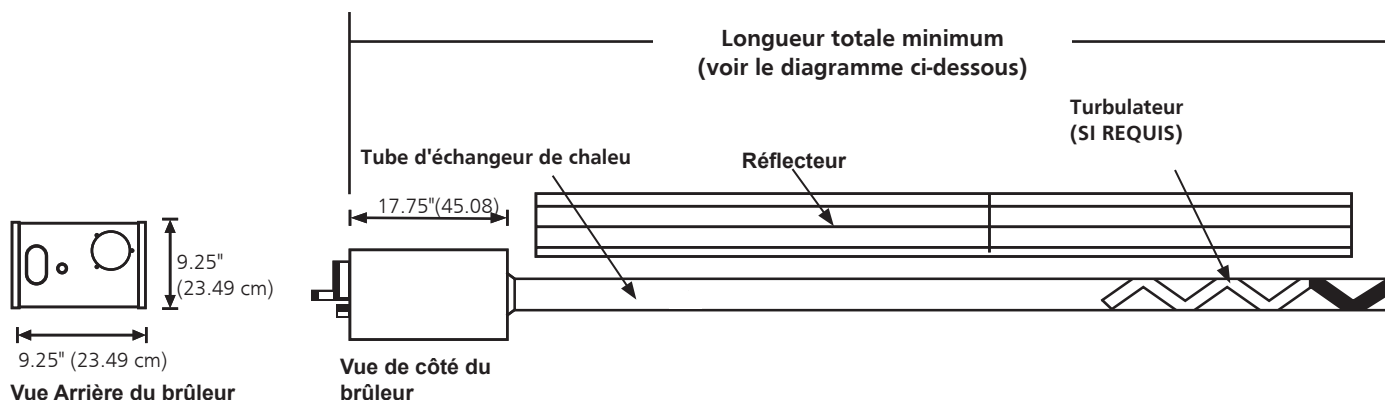




FIGURE 3 : Dimensions et hauteurs de montage suggérées du Ener-Radiant ER2STG

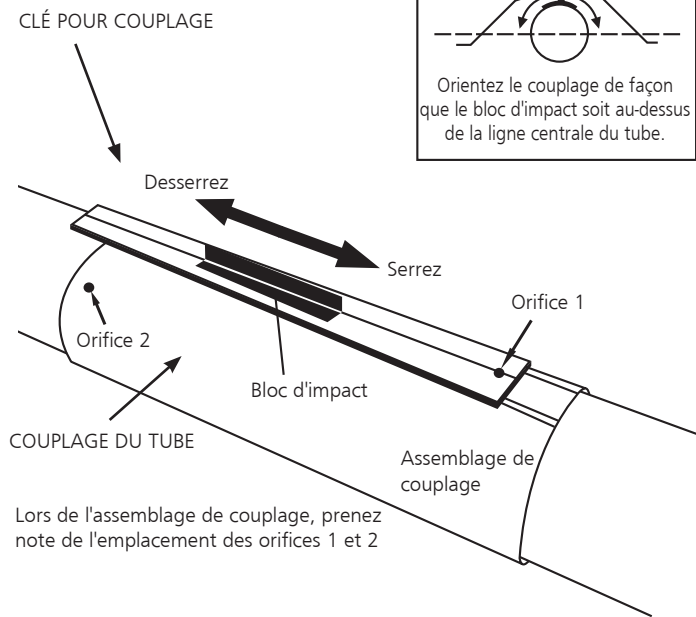


Classifications du brûleur et longueurs de l'échangeur de chaleur : (Gaz naturel et propane)				Hauteurs suggérées de montage	
No de modèle	Puissance W (BTU/H) Faible-Forte	Longueur de l'échangeur de chaleur	Turbulateur	Longueur minimale totale	Hauteur typique de montage
ERXL-40	40,000	10 pi (3.05 m)	9 pi (2.75 m)	11 pieds 4 pouces (3.45 m)	10 pi (3.05 m) - 14 pi (4.27 m)
ERXL-60	60,000	20 pi (6.1 m)	10 pi (3.05 m)	21 pieds 4 pouces (6.50 m)	10 pi (3.05 m) - 14 pi (4.27 m)
ERXL-80	80,000	20 pi (6.1 m)	10 pi (3.05 m)	21 pieds 4 pouces (6.50 m)	12 pi (3.66 m) - 15 pi (4.57 m)
ERXL-80	80,000	30 pi (9.15 m)	10 pi (3.05 m)	31 pieds 4 pouces (9.55 m)	12 pi (3.66 m) - 15 pi (4.57 m)
ERXL-100	100,000	30 pi (9.15 m)	5 pi (1.5 m)	31 pieds 4 pouces (9.55 m)	12 pi (3.66 m) - 15 pi (4.57 m)
ERXL-100	100,000	40 pi (12.2 m)	Aucune	41 pieds 4 pouces (12.60 m)	12 pi (3.66 m) - 15 pi (4.57 m)
ERXL-125	125,000	40 pi (12.2 m)	Aucune	41 pieds 4 pouces (12.60 m)	14 pi (4.27 m) - 19 pi (5.79 m)
ERXL-125	125,000	50 pi (15.25 m)	Aucune	51 pieds 4 pouces (15.65 m)	14 pi (4.27 m) - 19 pi (5.79 m)
ERXL-150	150,000	50 pi (15.25 m)	Aucune	51 pieds 4 pouces (15.65 m)	15 pi (4.57 m) - 25 pi (7.62 m)
ERXL-150	150,000	60 pi (18.3 m)	Aucune	61 pieds 4 pouces (18.69 m)	15 pi (4.57 m) - 25 pi (7.62 m)
ERXL-175	175,000	50 pi (15.25 m)	Aucune	51 pieds 4 pouces (15.65 m)	15 pi (4.57 m) - 25 pi (7.62 m)
ERXL-175	175,000	60 pi (18.3 m)	Aucune	61 pieds 4 pouces (18.69 m)	15 pi (4.57 m) - 25 pi (7.62 m)

## ASSEMBLAGE DU COUPLAGE

**Couplages :** Le tube et les raccords du tube sont reliés par des couplages enveloppants qui pincent par un dispositif de verrouillage fuselé et fonctionnant par un marteau. Les extrémités de départ du couplage et le dispositif de verrouillage sont identifiés par des orifices de 6,4 mm (1/4 po), qui sont mis ensemble au début de l'assemblage. Assurez-vous que les extrémités du tube sont en ligne et qu'elles s'aboutent contre le ou les tiges d'arrêt dans le couplage. La barre de glissement doit être martelée à un point de fixation pour que le couplage s'emboîte parfaitement avec les tubes. Trop serrer cause de la distorsion dans le couplage ou dans la lèvre de la barre de glissement à un point diminuant le maintien de la possibilité de couplage. (Voir Fig. 4).

**FIGURE 4:**

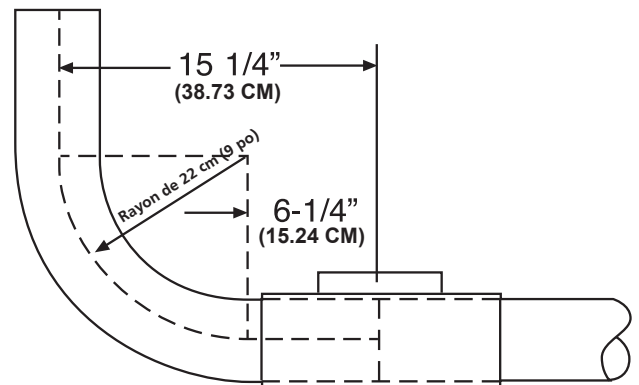


**Couplage (moins la clé) - 14612**

**Clé pour couplage - 14616**

**FIGURE 5 : Installation du coude et du couplage**

Ensemble du coude : Stock L'ensemble de coude no F106415 comprend :  
(1) coude, (1) couplage et.  
Installez le coude dans la séquence du tube radiant où les plans indiquent un virage à 90°

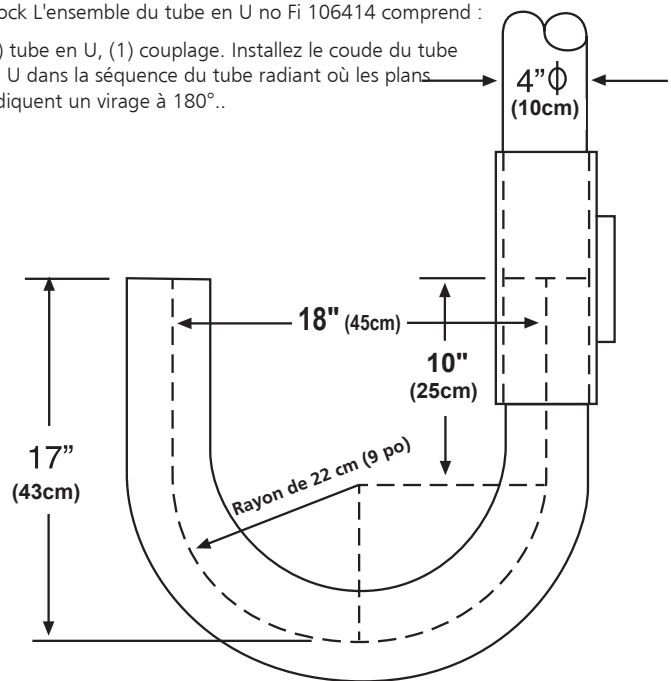


Dimensions du raccord du coude

Coude à 90°

Stock L'ensemble du tube en U no Fi 106414 comprend :

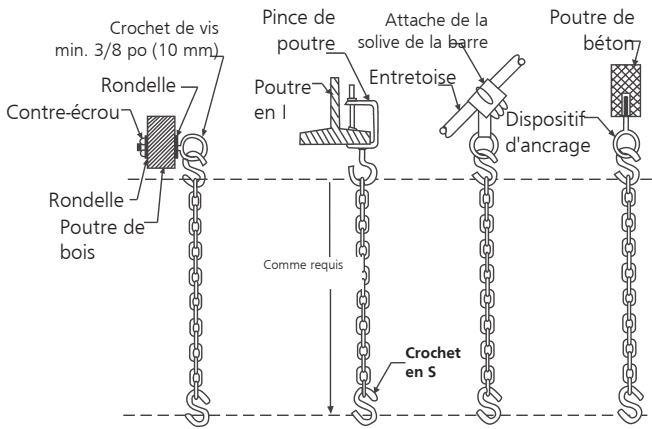
(1) tube en U, (1) couplage. Installez le coude du tube en U dans la séquence du tube radiant où les plans indiquent un virage à 180°..



Dimensions du raccord du tube en U

Tube en U à 180°

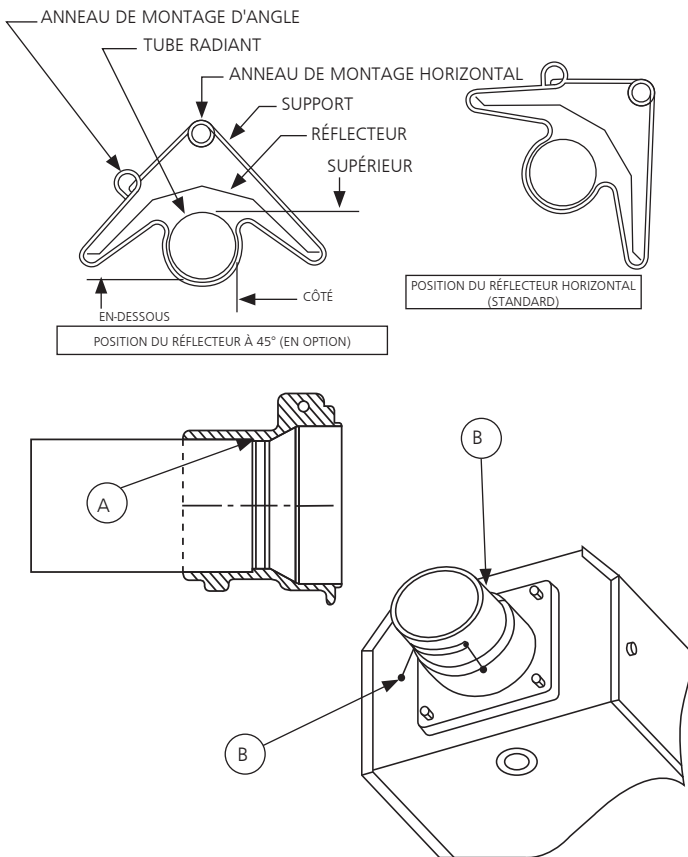
**FIGURE 6 : Détails typiques de la suspension**



Ensemble de chaîne - stock No 17370

Un ensemble de chaîne suspend une section de 3,05 m (10 pi) de tube et une section de 3,05 m (10 pi) de réflecteur.

**FIGURE 7A : Support pour tube et réflecteur**

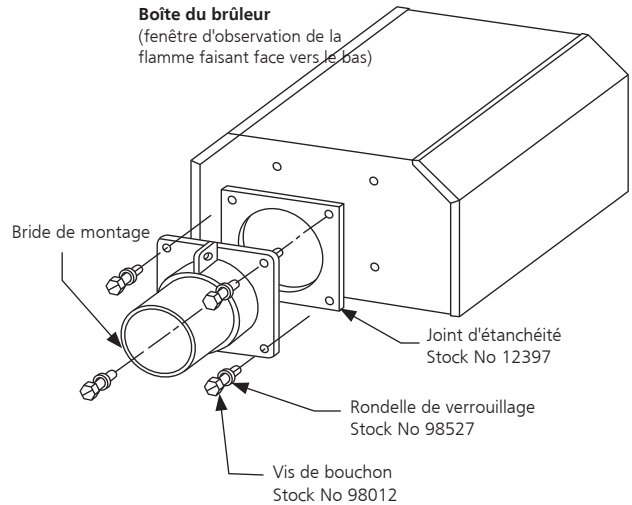


**FIGURE 7B : Détail du rebord de montage/Tube**

- 1) Insérez le tube 06413 dans le moulage avant au point (A).
- 2) Serrez les vis marquées (B).
- 3) Après que toutes les (3) vis soient serrées, tournez-les d'un

quart de tour supplémentaire pour fixer le tube en place.

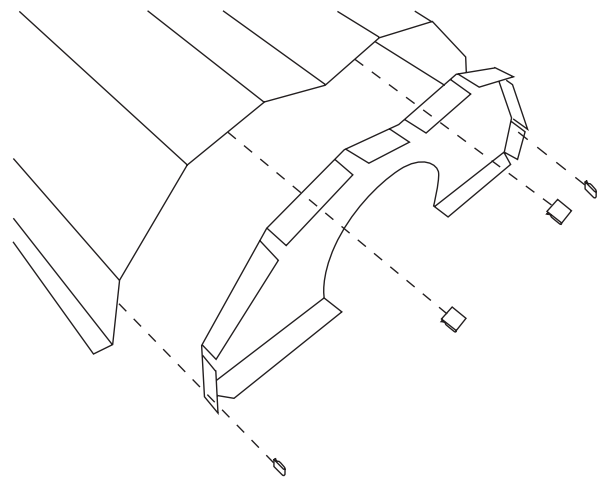
**FIGURE 8 : Détail de la boîte du brûleur/Tube de transition**



Ensemble de bride no 06428XL

L'ensemble comprend : Bride, vis (4), rondelles de verrouillage (4), rondelle (1)

**FIGURE 9 : Embout du réflecteur**



Liste des pièces

- |   |       |                              |
|---|-------|------------------------------|
| 1 | 00419 | Embout du réflecteur (qté 1) |
| 2 | 09369 | Attache-ressort (qté 4)      |

## SECTION 4

### Spécifications d'ingénierie

Le système de chauffage total fourni doit être certifié au niveau de la conception par le CSA selon la dernière révision d'ANSI Z83.20 et CSA 2.34.

#### A. Brûleur et contrôles du brûleur

1. Les brûleurs doivent être en mesure de brûler avec l'une des options de combustible comme spécifiées sur les documents d'achat : Gaz naturel ou propane liquide.
2. Les brûleurs doivent pouvoir s'allumer à quelconque des taux d'entrée comme spécifiés.

ERXL-40	40,000 BTU/Hr.	(11.72 kW)
ERXL-60	60,000 BTU/Hr.	(17.58 kW)
ERXL-80	80,000 BTU/Hr.	(23.45 kW)
ERXL-100	100,000 BTU/Hr.	(29.31 kW)
ERXL-125	125,000 BTU/Hr.	(36.63 kW)
ERXL-150	150,000 BTU/Hr.	(43.96 kW)
ERXL-175	175,000 BTU/Hr.	(51.29 kW)
3. Le brûleur doit être équipé d'un système de contrôle d'allumage de surface chaude au carbure de silicium à logique directe avec un dispositif d'allumage à arrêt à 100 %. L'alimentation fournie à chaque brûleur doit être de 110V, 60 Hz, phase simple. Les brûleurs doivent être classés pour 1,0 A (fonctionnement) et 5,0 A (démarrage)
4. Le brûleur doit être équipé d'une protection de moteur de surchauffe thermique, d'un rotor d'air équilibré, d'un interrupteur de pression de sécurité prouvant l'air de combustion, et d'une fenêtre de vue pour observer la flamme.
5. Lorsque spécifié, dans des environnements contaminés, le brûleur doit être en mesure de fournir de l'air externe à chaque brûleur pour le support de la combustion.
6. Tous les brûleurs doivent être pré-câblés avec une prise et un cordon électrique mis à la terre.
7. Au choix du client, les brûleurs peuvent être contrôlés avec un thermostat de tension de ligne en option ou en option thermostats basse tension avec un transformateur basse tension relais approprié.
8. Fourniture de gaz aux brûleurs doit être conforme à la suivante

Connecteur de gaz naturel de 12,7 mm (0,5 po).

Natural Gas: 4,5" W.C. MIN, 11,0" W.C. MAX  
(1,12 kPa MIN. 2,74 kPa MAX)

LP Gas: 11" W.C. MIN, 14,0" W.C. MAX  
(2,74 kPa MIN. 3,48 kPa MAX)

#### B. Échangeur de chaleur

1. Le tube radiant doit être d'acier aluminisé d'un diamètre de 10 cm (4 po) fourni en des sections de 3,05 m (10 pi). Les sections doivent être jointes par des couplages enveloppants d'acier inoxydable.
2. Le réflecteur doit être d'aluminium et conçu pour diriger toute la sortie radiante sous la ligne centrale horizontale du tube radiant.
3. Les fournaies doivent être aérées selon les recommandations du fabricant.

#### Pression de MANIFOLD de gaz:

Natural Gas: 3,5" W.C. (0,87 kPa)

LP Gas: 10,5" W.C. (2,61 kPa)

Connecteur de gaz naturel de 12,7 mm (0,5 po).

#### Pression de l'ENTRÉE de gaz :

Gaz naturel: 4,5 po colonne d'eau Min. (1,12 kPa)  
11,0 po colonne d'eau Max. (2,74 kPa MAX)

Gaz propane liquide: 11,0 po colonne d'eau Min. (2,74 kPa MIN)  
14,0 po colonne d'eau Max. (3,48 kPa MAX)

Connecteur de gaz naturel de 12,7 mm (0,5 po).

#### Caractéristiques électriques : (Tous les modèles)

110V - 60 Hz

1,0 A (fonctionnement) 5,0 A (démarrage)

#### Dimensions :

Grandeur de connexion des fumées.....4 po.

Grandeur de connexion de l'air extérieur.....4 po.

## SECTION 5

### Aération/Conduite

#### Exigences générales

Cette fournaise doit être aérée selon les spécifications contenues dans ce manuel et selon les codes nationaux qui suivent et tout code étatique, provincial ou local qui s'applique :

- Voir le code national du gaz combustible NFPA 54/ANSI Z223.1 - dernière révision.
- CANADA : Consulter le code d'installation du propane et du gaz naturel CSA B149.1, dernière révision.

La fournaise doit être aérée vers l'extérieur soit verticalement ou horizontalement.

Une alimentation optionnelle d'air de l'extérieur peut être dirigée vers la fournaise horizontalement ou verticalement.

Assurez-vous que la méthode choisie pour aérer la fournaise est conforme avec tous les codes comme requis pour chaque emplacement en particulier. L'utilisation d'une conduite d'évent à paroi simple (calibre 26) est recommandée. Une conduite d'évent à paroi double est recommandée lors de tout passage dans le toit ou les murs.

L'extrémité d'échappement de la fournaise doit accepter une conduite d'évent de 10 cm (4 po) à l'aide de l'adaptateur d'évent. Installez l'adaptateur d'évent avec la couture vers le haut, bien fixez en place tous les raccords de l'évent avec au moins 3 vis à métal no 8 x 9,5 mm (3/8 po), et scellez tous les raccords avec un scellant à base de silicone de température élevée.

Si la condensation dans la conduite de fumées est un problème, la longueur de celle-ci doit être raccourcie ou isolée.

Le tuyau d'évent doit être penché vers le bas en s'éloignant du brûleur de 6 mm (1/4 po) pour chaque 3 m (10 pi).

#### LONGUEURS DE L'ÉVENT :

- Longueur maximale totale de l'évent permise par section de 9,1 m (30 pi).
- Tuyau d'alimentation maximal d'air extérieur permis par section de 9,1 m (30 pi).
- La longueur maximale totale de l'évent plus longueur de l'alimentation extérieure de l'air ne doivent pas dépasser 15,2 m (50 pi).

#### REMARQUE :

Un total de deux (2) coudes est permis pour la combinaison de l'évent et de l'alimentation de l'air extérieur. Enlevez 1,5 m (5 pi) par coude supplémentaire de la longueur maximale permise si 3 coudes ou plus sont utilisés.

Installez une longueur minimale droite de 30 cm (18 po) de tuyau pour la prise d'air ou d'évent sous tout T ou coude.

#### Dispositions autres/Équipement optionnel pour le fonctionnement avec et sans événement

- Une aération suffisante doit être fournie par quantité de 1 887 cm<sup>3</sup>/s (4 CFM) par 0,29 kW (1 000 BTU/h) de taux de combustion.
- Consultez ANSI Z223.1 - dernière révision, NFPA-54 et les codes locaux pour de l'information supplémentaire.
- L'utilisation d'un air de combustion extérieur optionnel n'est pas recommandé avec des fournaises non aérées à cause de considérations de pression. Référez-vous à la page 16

#### Aération horizontale

- Quatre conduites de fumées de DE de 10 cm (4 po) sont requises. Une longueur maximale de 9,1 m (30 pi) est recommandée.

- Tous les raccords de conduite de fumées doivent être scellés à l'aide d'un produit convenable comme General Electric RTV106 ou le scellant adhésif à silicone de température élevée rouge Permatex Form-A-Gasket.
- N'installez pas tout coude ou raccord de 45 degrés pour diriger l'évent plus bas que le système de conduite horizontale.
- La sortie d'évent doit être installée à une hauteur suffisante pour empêcher son blocage par de la neige.
  - L'évent doit sortir du bâtiment à au moins 2,1 m (7 pi) au-dessus du niveau du sol lorsque situé près de trottoirs publics.
  - L'évent doit se terminer à au moins 1 m (3 pi) au-dessus de toute entrée d'air forcée située dans les 3 m (10 pi).
  - L'évent doit se terminer à au moins 1,2 m (4 pi) en-dessous, 1,2 m (4 pi) horizontalement de, ou 30,5 cm (1 pi) au-dessus de toute porte, fenêtre, ou entrée par gravité dans tout bâtiment.
  - La sortie d'évent doit être située à au moins 30,5 cm (12 po) de toute ouverture par laquelle des gaz d'évent peuvent entrer dans le bâtiment.
  - La sortie d'évent doit être au-delà de tout combustible suspendu.

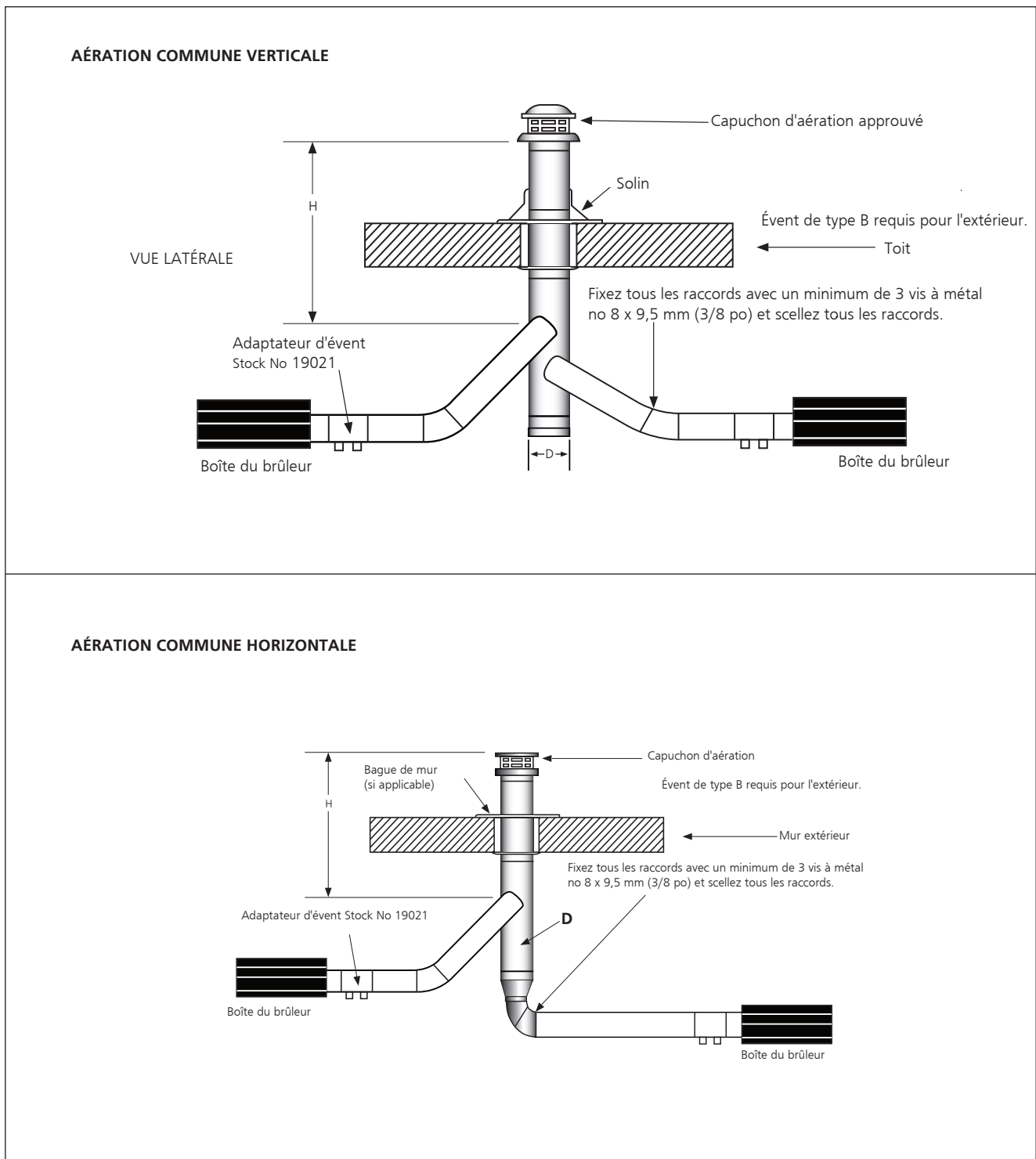
#### Évent vertical

- Quatre conduites de fumées DE de 10 cm (4 po), d'une longueur maximale de 9,1 m (30 pi) peuvent être utilisées comme illustrées avec le bouchon d'évent approprié. (Voir les exigences générales sur cette page pour de l'information supplémentaire).
- Une bague isolée peut être requise pour passer dans les structures combustibles (consultez les codes locaux).
- Tous les raccords de conduite de fumées doivent être scellés à l'aide de produits convenables (voir les recommandations pour l'aération horizontale).

#### Aération commune

- La course horizontale d'un événement ne doit jamais dépasser 75 % de la hauteur verticale de l'évent. Consultez ANSI Z223.1 - dernière révision, NFA-54 pour les grandeurs appropriées et l'installation de l'évent.
- La zone ouverte de l'évent commun doit être égale à la somme de la zone ouverte des événements individuels qui y sont connectés. (Voir le tableau ci-dessous et les diagrammes - page 14.)
- Utilisez un événement à paroi double comme requis (vérifiez les codes).
- Tous les joints doivent être scellés à l'aide de produits appropriés.
- Les connexions à une pile commune doivent être positionnées afin d'éviter une opposition directe entre les flux des gaz de combustion.

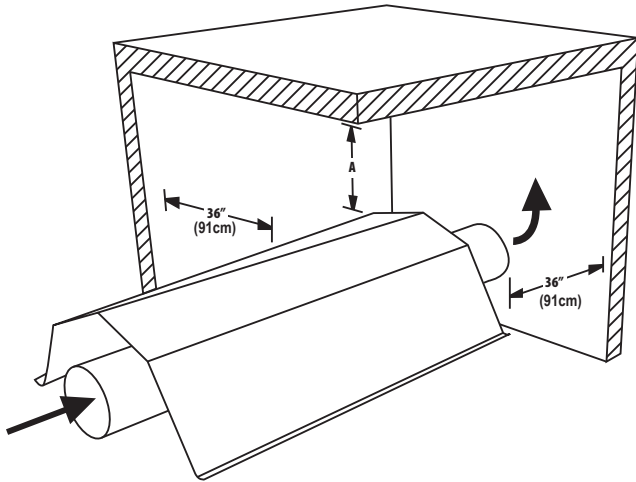
FIGURE 12 : Aération d'un toit commun



**AÉRATION COMMUNE - (2) fournaies (horizontale et verticale)**

Model #	H = 6 ft. (1.82 m)	H = 8 ft. (2.44 m)	H = 15 ft. (4.57 m)
ERXL-40	D = 7" (17.8 cm)	D = 6" (15.25cm)	D = 6" (15.25cm)
ERXL-60	D = 7" (17.8 cm)	D = 6" (15.25cm)	D = 6" (15.25cm)
ERXL-80	D = 8" (20.5 cm)	D = 7" (17.8 cm)	D = 6" (15.25cm)
ERXL-100	D = 8" (20.5 cm)	D = 8" (20.5 cm)	D = 7" (17.8 cm)
ERXL-125	D = 10" (25.4 cm)	D = 10" (25.4 cm)	D = 8" (20.5 cm)
ERXL-150	D = 10" (25.4 cm)	D = 10" (25.4 cm)	D = 8" (20.5 cm)
ERXL-175	D = 10" (25.4 cm)	D = 10" (25.4 cm)	D = 8" (20.5 cm)

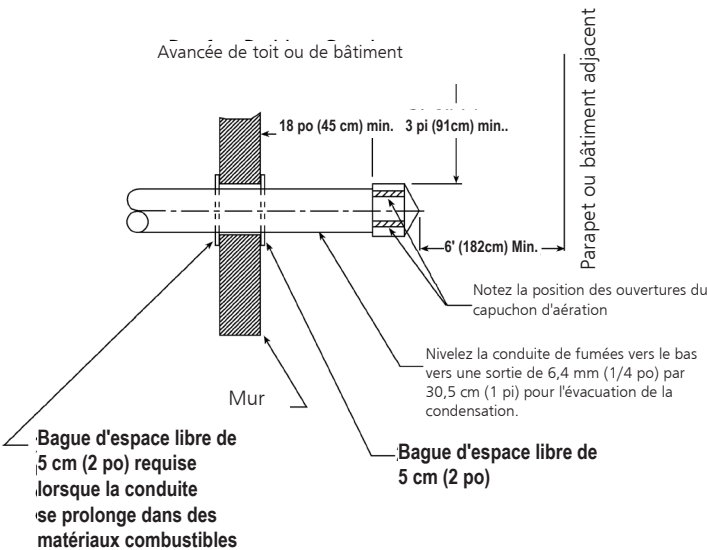
**FIGURE 10 : Fonctionnement sans aération**



1. Une aération égale à 1 887 cm<sup>3</sup>/s (4 CFM) par taux de combustion de 0,29 kW (1 000 BTU/h) doit être fournie dans des installations de fournaise non aérée.
2. Pour les dimensions A non aérées, consultez (Fig. 1 - espaces libres minimum aux combustibles).
3. Cette fournaise nécessite une aération dans le bâtiment pour diluer les produits de combustion et fournir de l'air frais pour une combustion efficace.

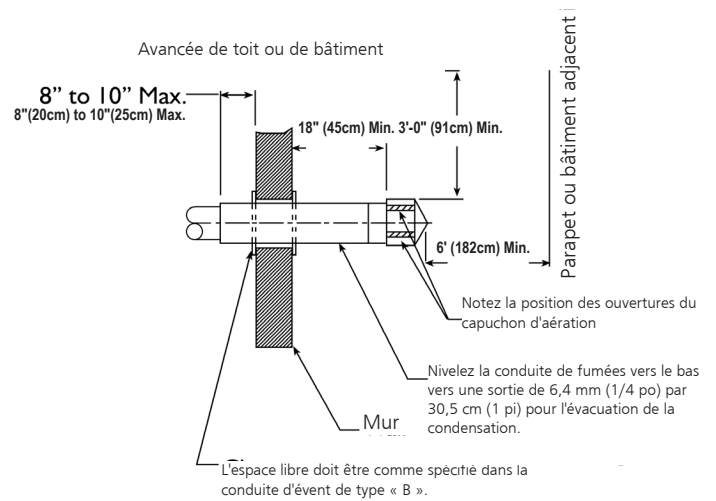
**FIGURE 10A : Paroi simple**

Course d'évent à paroi simple  
Extrémité de sortie à paroi simple

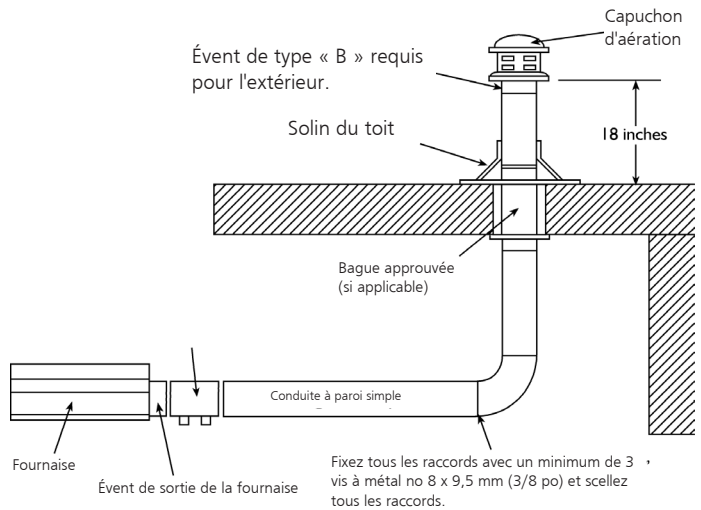


**FIGURE 10b : Paroi double**

Course d'évent à paroi double  
Extrémité de sortie à paroi double



**FIGURE 11 : Événement vertical**





## Alimentation d'air extérieur de combustion

La fournaise Ener-Radiant ER2STG est approuvée pour une installation avec un système extérieur d'alimentation en air. Certains composés comme les hydrocarbures halogénés ou d'autres produits chimiques corrosifs dans l'air peuvent entrer dans l'équipement et provoquer un taux accéléré de corrosion de certains des composants de la fournaise. L'utilisation de tels composés chimiques près de l'enceinte doit être évitée.

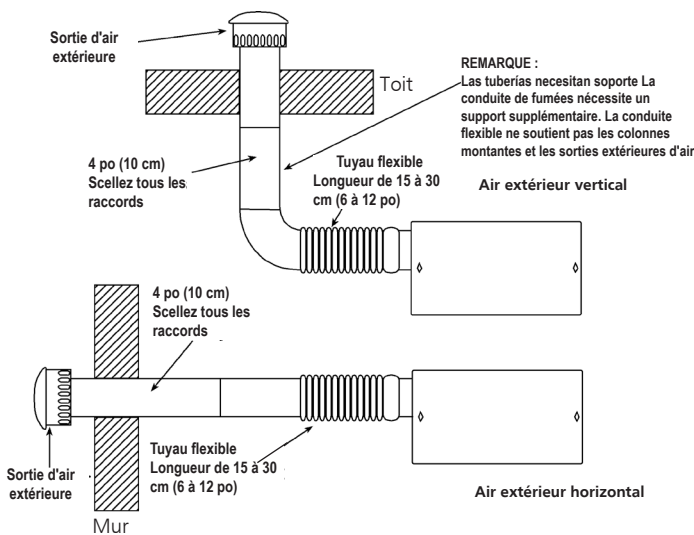
**IMPORTANT : Si le bâtiment possède une légère pression négative ou si des contaminants sont présents dans l'air, une alimentation extérieure d'air de combustion vers les fournaises est fortement recommandée.**

Pour une alimentation extérieure d'air, une conduite à paroi simple d'un DE de 10 cm (4 po) peut être fixée à la fournaise. La conduite peut avoir une longueur maximale de 9,1 m (30 pi) ou une longueur minimale de 61 cm (2 pi) avec pas plus de deux (2) coudes. (Voir les exigences générales à la page 14 pour plus d'informations.)

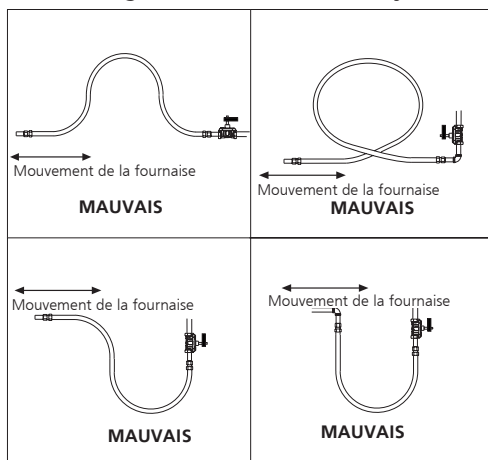
La conduite d'alimentation en air peut devoir être isolée pour empêcher la formation de condensation sur la surface externe. La sortie extérieure d'air doit être fixée solidement à la paroi extérieure en perçant quatre (4) orifices d'un diamètre de 6,4 mm (1/4 po) dans le rebord extérieur. Des vis à bois ou des boulons et des manchons d'expansion peuvent être utilisés pour fixer la sortie.

Un tuyau en PVC, un « tuyau de sècheuse », ou un équivalent, peut être utilisé au lieu d'une conduite d'évent standard.

**FIGURE 13 : Conduite d'alimentation d'air extérieure non pressurisée**



**FIGURE 14A : Connexion incorrecte de conduite de gaz avec un connecteur de gaz flexible en acier inoxydable**



## SECTION 6 Conduite de gaz

Lisez les avertissements applicables (à la page 2) avant de poursuivre l'installation de la conduite de gaz. Une installation incorrecte peut entraîner des dommages aux biens, des blessures graves et même la mort.

Le compteur doit être assez puissant pour supporter tous les brûleurs en installation plus toute autre charge reliée. La conduite de gaz qui alimente le système doit être assez grande pour alimenter le gaz requis avec une baisse maximale de pression de 1,25 millibar (1/2 po de colonne d'eau). Lorsque la conduite de gaz n'est pas incluse dans le dessin des plans, le fournisseur local de gaz aide généralement dans la planification de la conduite de gaz.

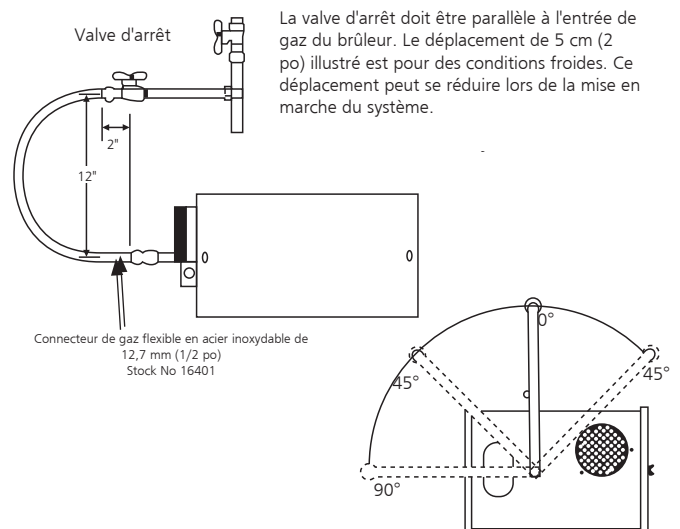
Une embase de 12,7 mm (1/2 po) à chaque emplacement de brûleur doit être située et orientée comme illustrée à la (Figure 14). Pour vérifier la pression du système, mettez une embase bouchée de gaz naturel de 3,2 mm (1/8 po) dans la conduite de gaz au niveau de la connexion au brûleur la plus éloignée de l'alimentation. Avant de brancher les brûleurs au système d'alimentation, vérifiez que tous les tests de pression élevée de la conduite de gaz ont été complétés. Ne pas effectuer de tests de pression élevée sur la conduite de gaz avec les brûleurs branchés.

Suivez ces instructions pour s'assurer d'une installation professionnelle de l'alimentation en gaz :

- Supporter toutes les conduites de gaz avec des matériaux de suspension adéquats pour les conduites.
- Utiliser du fer forgé ou des conduites d'acier forgé et des raccords de fer malléables. Toutes les conduites doivent être neuves et exemptes de défauts. Fraisez soigneusement les conduites et les extrémités de celles-ci pour enlever les obstacles et les bavures.
- Utiliser un composé pour raccord résistant au gaz naturel sur tous les filets de la conduite.
- Vérifier la conduite et ses extrémités pour toute fuite avec de mettre l'équipement de chauffage en fonction. Lors de la vérification de fuites de gaz, utilisez une solution d'eau savonneuse : **N'UTILISEZ JAMAIS UNE FLAMME NUE.**

Installez le connecteur flexible de gaz comme illustré. Le connecteur flexible de gaz accomode l'expansion du système de chauffage et permet une installation et un entretien facile du brûleur.

**FIGURE 14 : Connexion de la conduite de gaz avec un connecteur de gaz flexible en acier inoxydable**



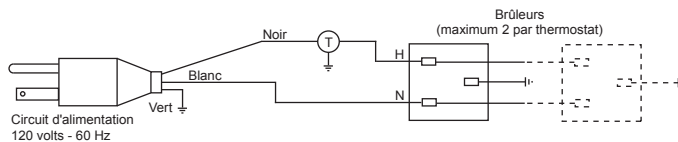


## SECTION 7

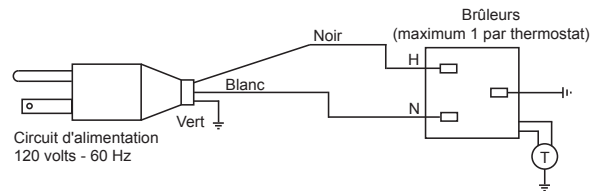
### Installation électrique

Les chauffages sont normalement contrôlés par les thermostats. Les thermostats de voltage de ligne sont télégraphiés directement (voir le chiffre 15), Les thermostats 24V sont câblés directement en trouvant et retirant le fil de liaison à l'arrière du boîtier de brûleur et en câblant le thermostat aux bornes (voir le chiffre 16). Les chauffages doivent être fondés conformément à l'ANSI/NFPA Codé Électrique national - 70 - la dernière version. Les chauffages peuvent aussi être contrôlés avec un changement de voltage de ligne manuel ou un changement de compte-minutes à la place du thermostat.

#### Chiffre 15: Installation électrique de Thermostat de Voltage de Ligne

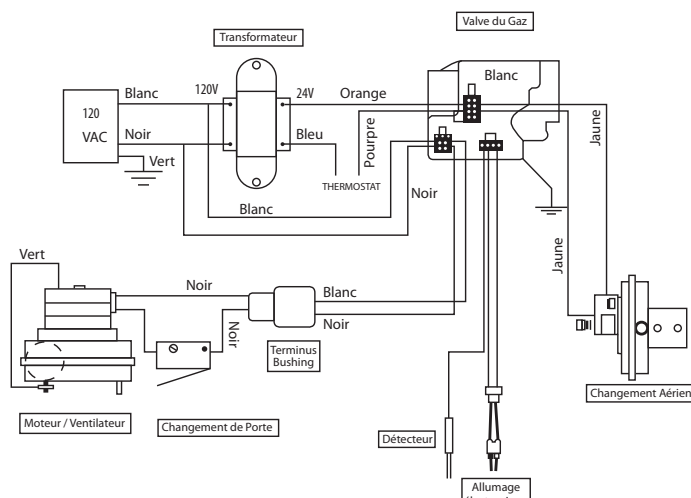


#### Chiffre 16: Installation électrique de Thermostat de Voltage de Ligne Basse

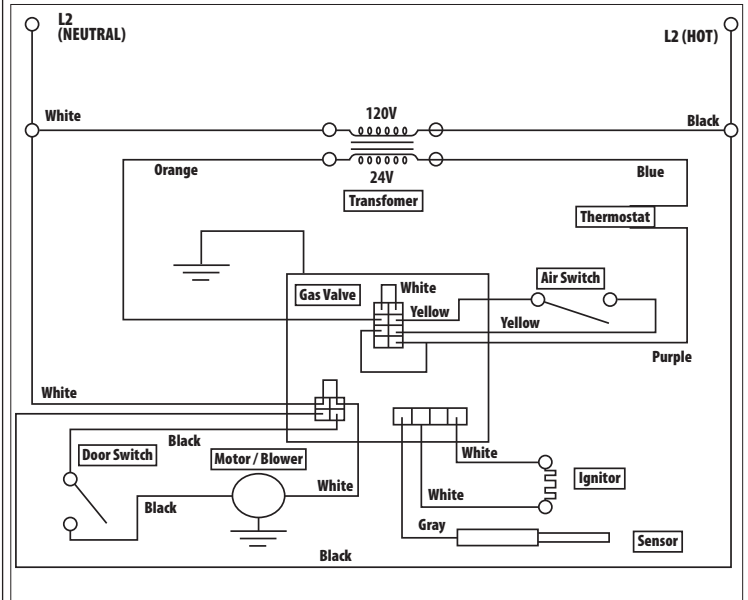


#### Chiffre 17: Ener-Radiant XL Brûleur Installation électrique Intérieure

- Si du câblage d'origine fourni avec l'appareil de chauffage doit être remplacé, il faut utiliser du câblage prévu pour une température nominale d'au moins 105 °C et une tension de 600 V.
- Chaque brûleur doit être mis à la terre conformément à la plus récente révision du National Electrical Code ANSI / NFPA-70



#### Chiffre 21: Ener-Radiant XL Brûleur Diagramme d'Échelle d'Installation électrique Intérieur



## SECTION 8

### Opération et Maintenance

#### Ordre d'Opération

1. Augmentez le réglage du thermostat. Lorsque le thermostat donne un signal de chauffage, le moteur du ventilateur se met sous tension.
2. Lorsque le moteur approche de la vitesse de rotation nominale, l'interrupteur à air se ferme et actionne le module d'allumage.
3. Le module d'allumage se met sous tension et l'allumeur commence à produire des étincelles.
4. À ce stade, l'électrovanne à gaz se met sous tension.
5. Durant la phase finale de la séquence, l'allumeur est mis hors tension et devient un détecteur de flamme.
6. Si une flamme est détectée, l'électrovanne à gaz reste ouverte. Lorsque la demande de chauffage est satisfaite et que le mécanisme de commande du système met hors tension l'alimentation de ligne du brûleur, les vannes à gaz se ferment.
7. Si aucune flamme n'est détectée sur un module à un seul essai, l'électrovanne à gaz se ferme et le module va se verrouiller jusqu'à sa réinitialisation. La réinitialisation se fait en supprimant l'alimentation du module pendant au moins cinq (5) secondes (cycle de thermostat requis).
8. Si aucune flamme n'est détectée sur un module à trois essais, l'électrovanne à gaz se ferme et une phase de vidange commence. Après la vidange, le module met l'allumeur sous tension pour une deuxième période de réchauffage et un deuxième essai d'allumage. Si une flamme n'est toujours pas créée, un troisième et dernier cycle de vidange, réchauffage et essai commence. Après trois essais, le module va se verrouiller jusqu'à la réinitialisation. La réinitialisation se fait en supprimant l'alimentation du module pendant au moins cinq (5) secondes (cycle de thermostat requis).

9. Sur un module à trois essais, si la flamme est créée et perdue lors du premier ou deuxième essai, l'électrovanne à gaz se ferme, un troisième cycle de vidange, réchauffage et essai d'allumage a lieu; trois essais d'allumage seulement sont autorisés par cycle de thermostat.

### HAUTE ALTITUDE

Les appareils de chauffage peuvent être allumés à pleine puissance jusqu'à 610 m (2000 pi) au-dessus du niveau de la mer. Au-dessus de 610 m (2 000 pi), un ensemble de conversion haute altitude peut être nécessaire pour assurer les performances du brûleur. Veuillez consulter le fabricant. Préparez-vous à répondre aux questions de l'usine concernant: le type de carburant pour la conversion de l'appareil proposé, la pression de gaz disponible sur le site et l'altitude spécifique sur le site. La conversion doit être effectuée par un représentant autorisé du fabricant, conformément aux exigences du fabricant, des autorités provinciales ou territoriales compétentes et conformément aux exigences des codes d'installation CSA B149.1 ou CSA149.2.

### Maintenance

Pour assurer un bon fonctionnement, les méthodes d'entretien suivantes doivent être respectées avant chaque saison de chauffage.

1. **Vérifiez si l'alimentation électrique et l'alimentation en gaz sont bien fermées avant de procéder à une réparation ou un entretien.**
2. Vérifiez l'état de la volute et du moteur du ventilateur. Les saletés ou poussières peuvent être soufflées à l'air comprimé ou éliminées à l'aide d'un aspirateur.
3. Vérifiez l'état du brûleur. Enlevez soigneusement les poussières ou débris de l'intérieur du boîtier ou du godet du brûleur.
4. Inspectez l'allumeur. Remplacez l'allumeur s'il contient trop de résidus de carbone, s'il est érodé, cassé ou comporte un autre défaut.
5. Vérifiez l'intérieur du tube d'allumage à l'aide d'une lampe-torche. Si des dépôts de carbone ou de calamine sont présents, grattez-les avec une brosse métallique, une tige ou une plaque métallique fixée à un pieu en bois.
6. Vérifiez si le voyant d'observation du brûleur est propre, sans trous ni fissures. Nettoyez-le ou remplacez-le au besoin.
7. Vérifiez le conduit d'évacuation pour détecter la présence de suie ou de saletés. Après l'avoir nettoyé au besoin, reconnectez le conduit d'évacuation à l'appareil de chauffage.
8. Nettoyez les surfaces extérieures de l'appareil de chauffage en les essuyant à l'aide d'un linge humide.
9. Une agence d'entretien qualifiée doit être contactée pour les services autres que l'entretien régulier.
10. Vérifiez le raccordement de ventilation et l'arrivée d'air frais pour voir s'ils ne se sont pas bouchés pendant la saison sans chauffage. Si l'un des tuyaux est bouché, l'interrupteur à air ne va pas se fermer et le chauffage ne va pas fonctionner.

## Dépannage

**ATTENTION :** Avant d'ouvrir la porte du brûleur du Heatstar ERXL® XL pour procéder à un entretien ou une réparation, vérifiez si l'alimentation en gaz de l'appareil de chauffage est bien fermée et si le cordon électrique du boîtier du brûleur est débranché.

- Le moteur du ventilateur ne fonctionne pas:**
1. Le thermostat donne-t-il un signal de chauffage?
  2. Mesurez-vous 115 V à la connexion d'alimentation?
  3. Vérifiez l'étanchéité des deux portes latérales.
  4. Vérifiez si le ventilateur n'est pas bloqué, remplacez-le au besoin.

- L'allumeur ne produit pas d'étincelles:**
1. Vérifiez si l'allumeur n'est pas endommagé, remplacez-le au besoin.
  2. Vérifiez la résistance à l'allumeur.
  3. Vérifiez si l'arrivée et la sortie d'air ne sont pas bouchées.
  4. Vérifiez le câblage et les raccordements des tuyaux à l'interrupteur à air, remplacez-les au besoin.
  5. Vérifiez les tensions au primaire et au secondaire du transformateur, remplacez-le au besoin.

- La vanne ne s'ouvre pas:**
1. La pression de gaz en aval de la commande de gaz peut se mesurer à l'aide d'un manomètre en la raccordant à la prise de pression sur la commande.
  2. Vérifiez si la vanne manuelle d'alimentation en gaz de l'appareil de chauffage est ouverte (ON).
  3. Vérifiez si le bouton de la vanne manuelle sur la commande de gaz de l'appareil est ouvert (ON).
  4. La pression d'alimentation en gaz peut être vérifiée à la prise de pression NPT de 1/8 po sur la vanne manuelle externe de l'appareil de chauffage.
  5. Vérifiez si la commande de gaz s'ouvre : une pression d'admission nulle indique que la vanne est fermée.

Si la vanne est fermée, c'est que l'électrovanne à gaz est fermée ou que l'allumage est défectueux.

**AVERTISSEMENT!** Ne pas déconnecter les fils de terre à l'intérieur de l'appareil de chauffage. Ne pas intervertir les conducteurs mis à la terre et non mis à la terre sur le transformateur ou le module d'allumage.

- Le brûleur ne s'allume pas:**
1. Vérifiez si les conduites de gaz ont été correctement vidangées de l'air.
  2. Vérifiez la pression à l'entrée et à la sortie pendant la phase d'allumage.  
Pression de l'entrée de Gaz naturel 4,5 po colonne d'eau Min. (1,12 kPa)  
Pression de manifold de Gaz naturel 3,5 po colonne d'eau Min. (0,87 kPa)  
La pression de Gaz propane liquide à l'entrée doit être de 11" d'eau (2.74 kPa)  
La pression de Gaz propane liquide à la sortie doit être de 10,5" d'eau (2.61 kPa)
  3. Vérifiez si l'orifice est correct.

- Le brûleur ne reste pas allumé:**
1. Vérifiez la continuité du fil de terre.
  2. Vérifiez le câblage interne du brûleur pour voir si des fils de connexion n'ont pas été inversés.
  3. Vérifiez l'isolation sur les fils de connexion de l'allumeur.
  4. Remplacez le module au besoin.

## Honeywell Valve LED Status

Le chauffe-série Tube Ener-Radiant XL est équipé d'une valve intelligente Honeywell. Cette vanne a un programme de diagnostic intégré, ce qui aidera à dépannage en cas d'un problème lié à la valve. La LED ou (diode électroluminescente) est situé sur la partie supérieure de la soupape comme représenté sur la figure ci-dessous. Les indications d'état LED sont énumérés ci-dessous pour aider à la résolution des problèmes.

### Chiffre 22:

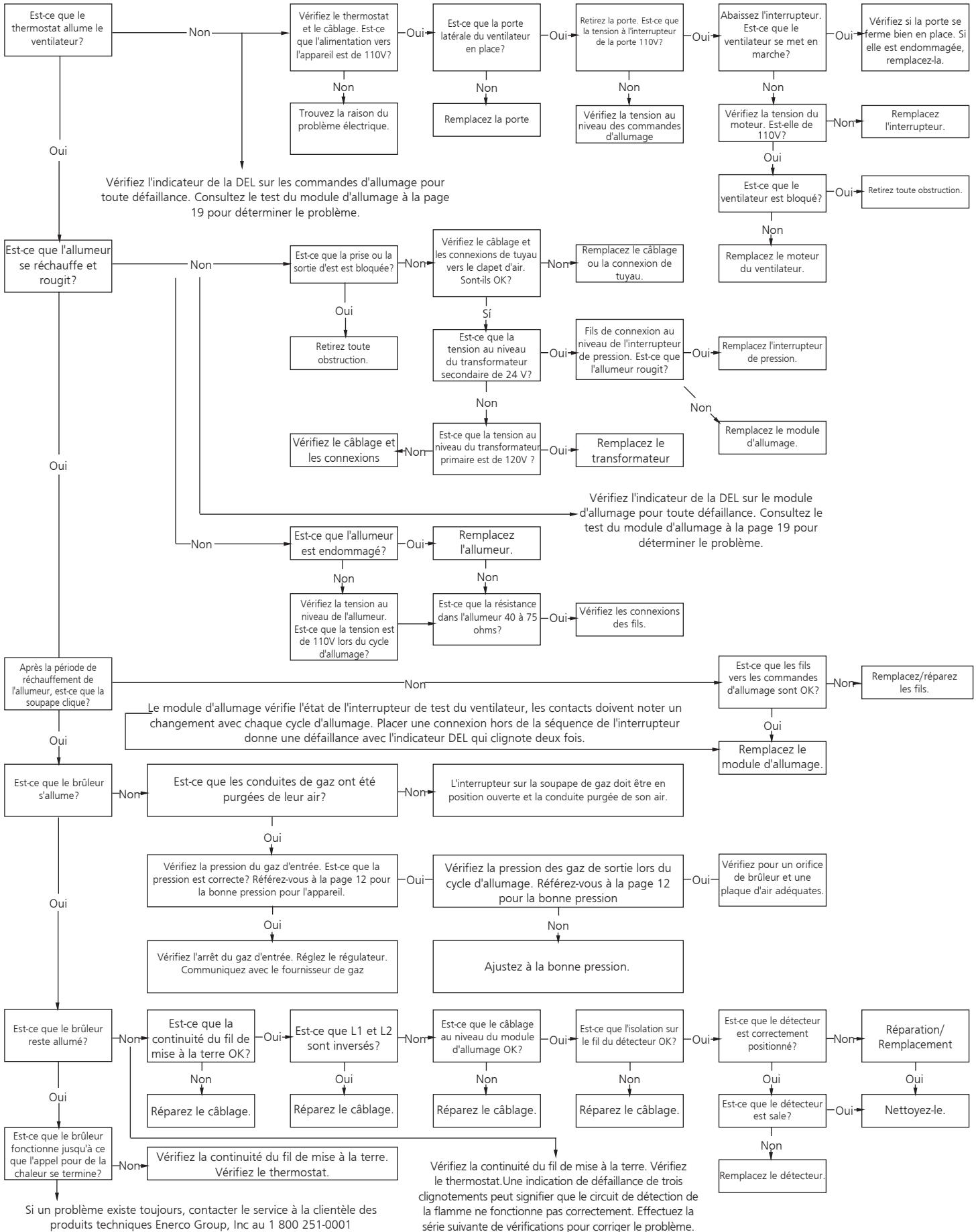
OFF	INDICATED
Off	Non alimentation de la commande
Bright-Dim	Fonctionnement normal.  Cette indication montre chaque fois que le système est sous tension, à moins que quelque événement anormal a eu lieu.
2-Flashes	Airflow fournissant commutateur reste fermé pendant plus de 30 secondes après l'appel de chaleur commence (commutateur d'air fournissant bloqué en position fermée.)
3-Flashes	Airflow fournissant commutateur reste ouvert pendant plus de 30 secondes après la soufflerie d'air de combustion est alimenté - ou soufflerie ne dynamiser pas. 4-Flashes White jumper wire is loose.
5-Flashes	Signal de flamme détectée hors de la séquence correcte.
6-Flashes	Lockout système.



Honeywell Smart Valve

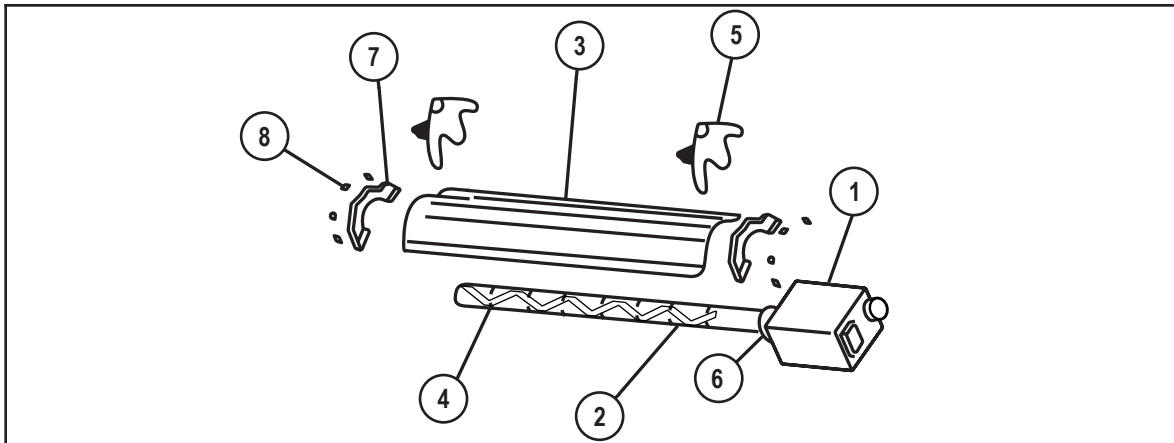
# SECTION 9 : Guide de dépannage. Ener-Radiant XL

## DÉMARRAGE



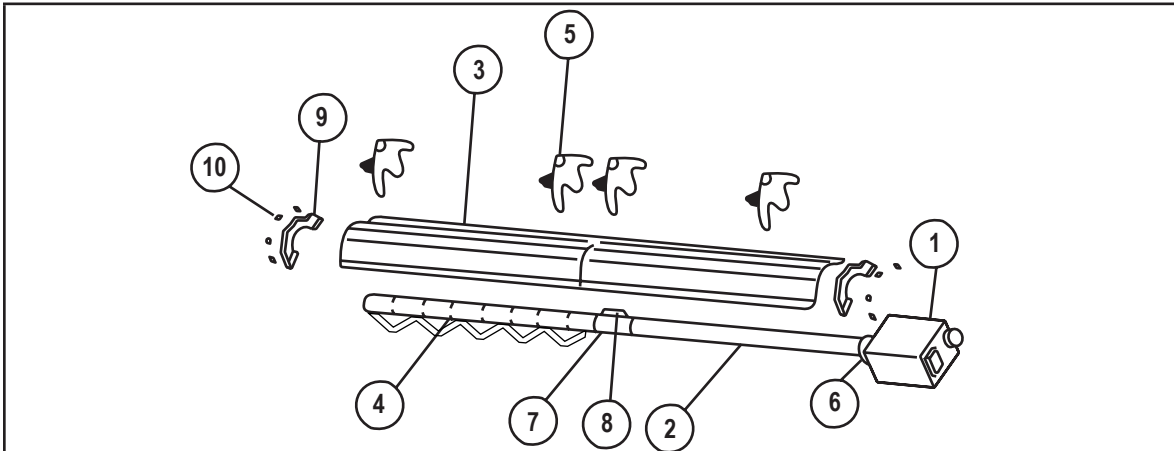
Si un problème existe toujours, contacter le service à la clientèle des produits techniques Enerco Group, Inc au 1 800 251-0001

# Parts List for Ener-Radiant XL Tube Heaters



## ERXL-40

Item	Stock #	Description	QTY	Item	Stock#	Description	QTY
1	F102594XL	ERXL-40 NG / BRN et Boîte	1	6	02753	Rebord avant	1
1	F102595XL	ERXL-40 LP / BRN et Boîte	1	7	00419	Embout du réflecteur	2
2	F106408XL	Ensemble de tube de 3,0 m (10 pi)	1	8	09369	Pincès à ressort	8
	06413	Tube H.E. DE 10 cm (4 po) x 3 m (10 pi)'	2				
3	00418A	Réflecteur	2				
4	03446	Défecteur de turbulateur de 2.7 m (9 pi)	1				
5	14585P	Support	4				

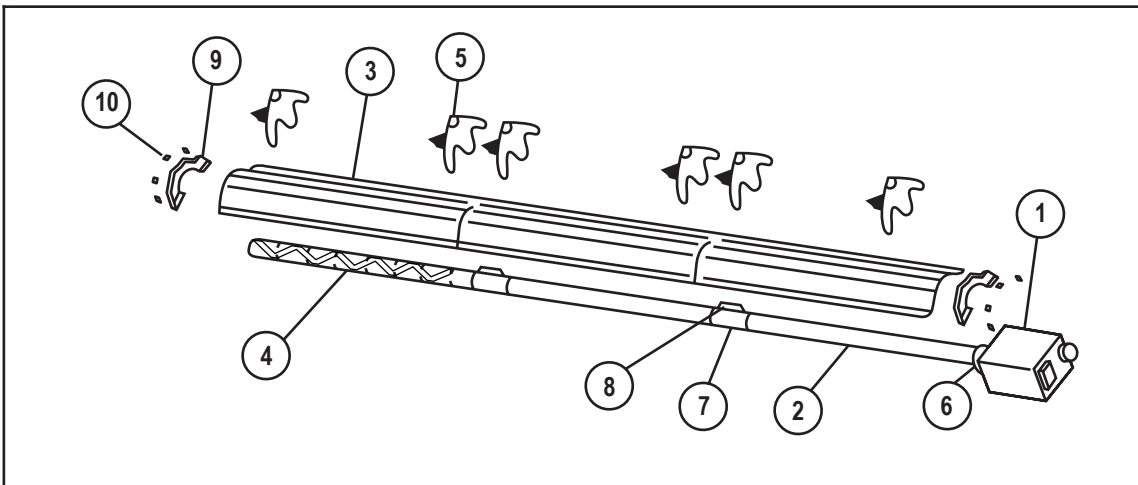


## ERXL-60

Item	Stock #	Description	QTY
1	F102650XL	ERXL-60 NG / BRN et Boît	1
	F102651XL	ERXL-60 LP /BRN et Boît	1
2	F106404XL	ERXL-60, / Ensemble de tube de 6 m (20 pi)	1
	06413	Tube H.E. DE 10 cm (4 po) x 3 m (10 pi)'	2
3	00418A	Réflecteur	2
4	03445	Défecteur de turbulateur de 3 m (10 pi)	1
5	14585P	Étrier	4
6	02753	Rebord avant	
7	14612	Couplage du tube	1
8	14616	Clé pour le couplage du tube	1
9	00419	Embout du réflecteur	2
10	09369	Pincès à ressort	8

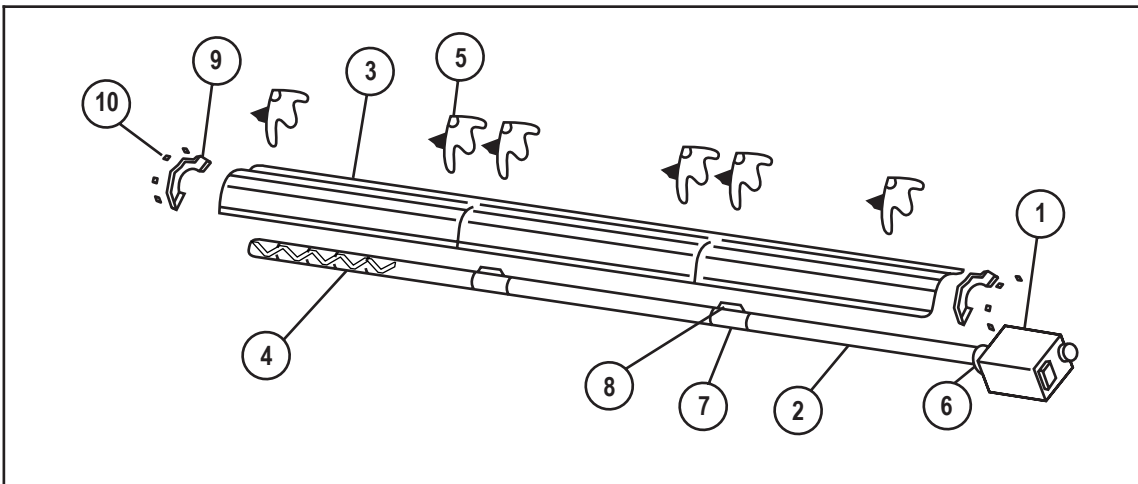
## ERXL-80

Item	Stock#	Description	QTY
1	F102652XL	ERXL-80 LP / BRN et Boît	1
	F102653XL	ERXL-80 NG / BRN et Boît	1
2	F106404XL	ERXL-80, / Ensemble de tube de 6 m (20 pi)	1
	06413	Tube H.E. DE 10 cm (4 po) x 3 m (10 pi)'	2
3	00418A	Réflecteur	2
4	03445	Défecteur de turbulateur de 3 m (10 pi)	1
5	14585P	Support	4
6	02753	Rebord avant	
7	14612	Couplage du tube	1
8	14616	Clé pour le couplage du tube	1
9	00419	Embout du réflecteur	2
10	09369	Pincès à ressort	8



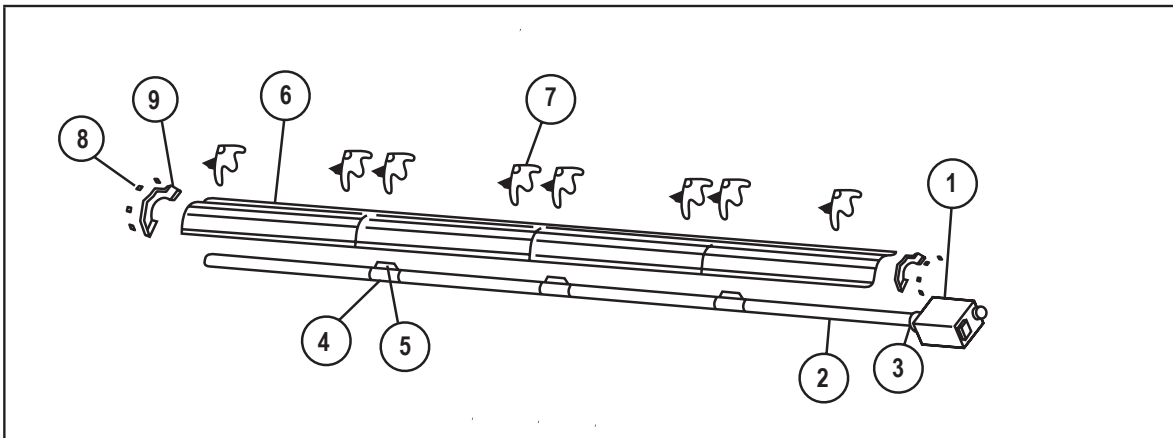
### ERXL-80

Item	Stock #	Description	QTY	Item	Stock#	Description	QTY
1	F102652XL	ERXL-80 LP / BRN et Boît	1	6	02753	Rebord avant	1
	F102653XL	ERXL-80 NG / BRN et Boît	1	7	14612	Couplage du tube	2
2	F106405XL	ERXL-80, / Ensemble de tube de 6 m (20 pi)	1	8	14616	Clé pour le couplage du tube	2
	06413	Tube H.E. DE 10 cm (4 po) x 3 m (10 pi)	3	9	00419	Embout du réflecteur	2
3	00418A	Réflecteur	3	10	09369	Pincés à ressort	8
4	03445	Déflecteur de turbulateur de 3 m (10 pi)	1				
5	14585P	Support	6				

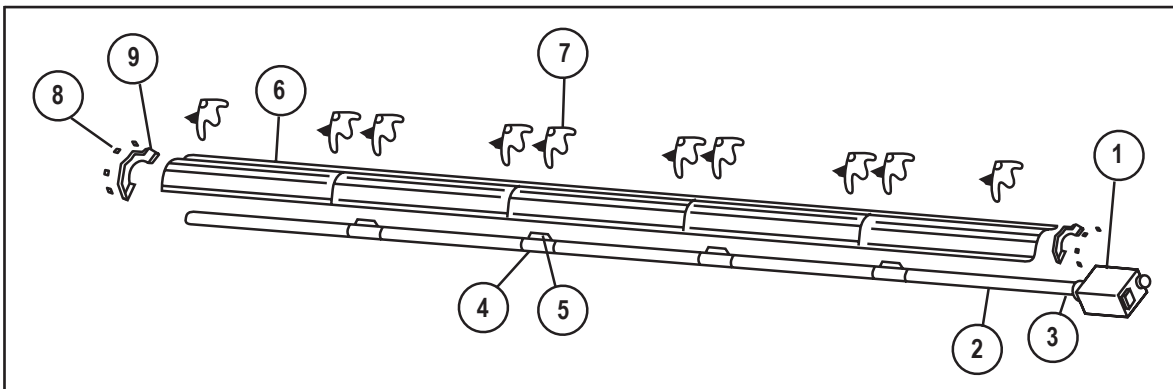


### ERXL-100

Item	Stock #	Description	QTY	Item	Stock#	Description	QTY
1	F102654XL	ERXL-100 NG / BRN et Boît	1	6	02753	Rebord avant	1
	F102655XL	ERXL-100 LP / BRN et Boît	1	7	14612	Couplage du tube	2
2	F106401XL	ERXL-100, / Tube Set- 30' Ensemble de tube de 9.1 m (30 pi)	1	8	14616	Clé pour le couplage du tube	2
	06413	Tube H.E. DE 10 cm (4 po) x 3 m (10 pi)	3	9	00419	Embout du réflecteur	2
3	00418A	Réflecteur	3	10	09369	Pincés à ressort	8
4	03447	Déflecteur de turbulateur de 1.5 m (10 pi)	1				
5	14585P	Support	4				

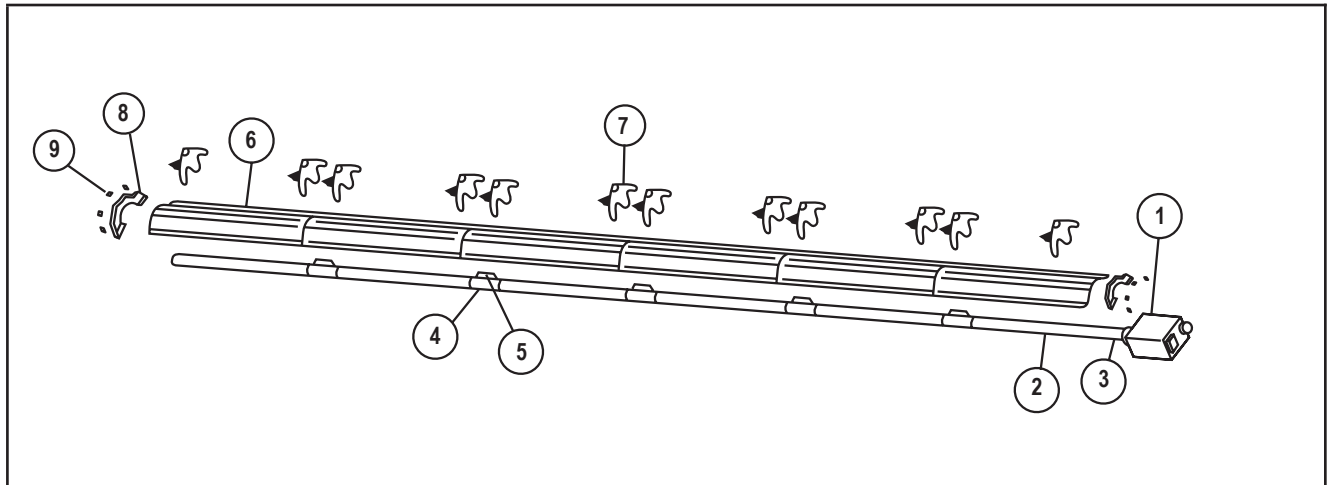


ERXL-100				ERXL-125			
Item	Stock #	Description	QTY	Item	Stock#	Description	QTY
1	F102654XL	ERXL-100 NG / BRN et Boît	1	1	F102656XL	ERXL-125 NG / BRN et Boît	1
	F102655XL	ERXL-100 LP / BRN et Boît	1		F102657XL	ERXL-125 LP / BRN et Boît	1
2	F106406XL	ERXL-100, / Ensemble de tube de 12.1 m (40 pi)	1	2	F106406XL	ERXL-125, / Ensemble de tube de 12.1 m (40 pi)	1
	06413	Tube H.E. DE 10 cm (4 po) x 3 m (10 pi)	4		06413	Tube H.E. DE 10 cm (4 po) x 3 m (10 pi)	4
6	02753	Rebord avant	1	3	02753	Rebord avant	1
4	14612	Couplage du tube	1	4	14612	Couplage du tube	1
5	14616	Clé pour le couplage du tube	1	5	14616	Clé pour le couplage du tube	1
6	00418A	Réflecteur	4	6	00418A	Réflecteur	4
7	14585P	Support	8	7	14585P	Support	8
8	00419	Embout du réflecteur	2	8	00419	Embout du réflecteur	2
9	09369	Pincés à ressort	8	9	09369	Pincés à ressort	8



ERXL-125 / ERXL-150 / ERXL-175							
Item	Stock #	Description	QTY	Item	Stock#	Description	QTY
1	F102656XL	ERXL-125 NG / BRN et Boît	1	3	02753	Rebord avant	1
1	F102657XL	ERXL-125 LP / BRN et Boît	1	4	14612	Couplage du tube	2
1	F102658XL	ERXL-150 NG / BRN et Boît	1	5	14616	Clé pour le couplage du tube	2
1	F102659XL	ERXL-150 LP / BRN et Boît	1	6	00418A	Réflecteur	5
1	F102660XL	ERXL-175 NG / BRN et Boît	1	7	14585	Support	10
1	F102661XL	ERXL-175 LP / BRN et Boît	1	8	00419	Embout du réflecteur	2
2	F106407XL	Ensemble de tube de 15.2 m (50 pi)	1	9	09369	Pincés à ressort	8
	06413	Tube H.E. DE 10 cm (4 po) x 3 m (10 pi)	3				





ERXL-150				ERXL-175			
Item	Stock #	Description	QTY	Item	Stock#	Description	QTY
1	F102658XL	ERXL-150 NG / BRN et Boît	1	1	F102660XL	ERXL-175 NG / BRN et Boît	1
1	F102659XL	ERXL-150 LP / BRN et Boît	1	1	F102661XL	ERXL-175 LP / BRN et Boît	1
2	F106403XL	Ensemble de tube de 18.2 m (60 pi)	1	2	F106403XL	Ensemble de tube de 18.2 m (60 pi)	1
	06413	Tube H.E. DE 10 cm (4 po) x 3 m (10 pi)	6		06413	Tube H.E. DE 10 cm (4 po) x 3 m (10 pi)	6
3	02753	Rebord avant	1	3	02753	Rebord avant	1
4	14612	Couplage du tube	5	4	14612	Couplage du tube	5
5	14616	Clé pour le couplage du tube	5	5	14616	Clé pour le couplage du tube	5
6	00418A	Réflecteur	6	6	00418A	Réflecteur	6
7	14585P	Support	12	7	14585P	Support	12
8	00419	Embout du réflecteur	2	8	00419	Embout du réflecteur	2
9	09369	Pincés à ressort	8	9	09369	Pincés à ressort	8

## ACCESSOIRES

Stock Number	Description
10371.....	Thermostat 24 volt
10392.....	Thermostat 110Volt
17370.....	Ensemble de chaîne
16401.....	Flexible en acier inoxydable de 24 po
16405.....	Acier inoxydable de 1/2 po x 24 po 3/4 po
F106414.....	Ensemble d'accessoires du tube en U 180°
F106415.....	Ensemble d'accessoires du coude 90
19021.....	Vent Adaptor
06430.....	Capuchon d'aération
00438.....	Ensemble de réflecteur latéral
01376.....	KIT DÉFLECTEUR (5')
19031.....	Tendeur 5/16 po -18 po

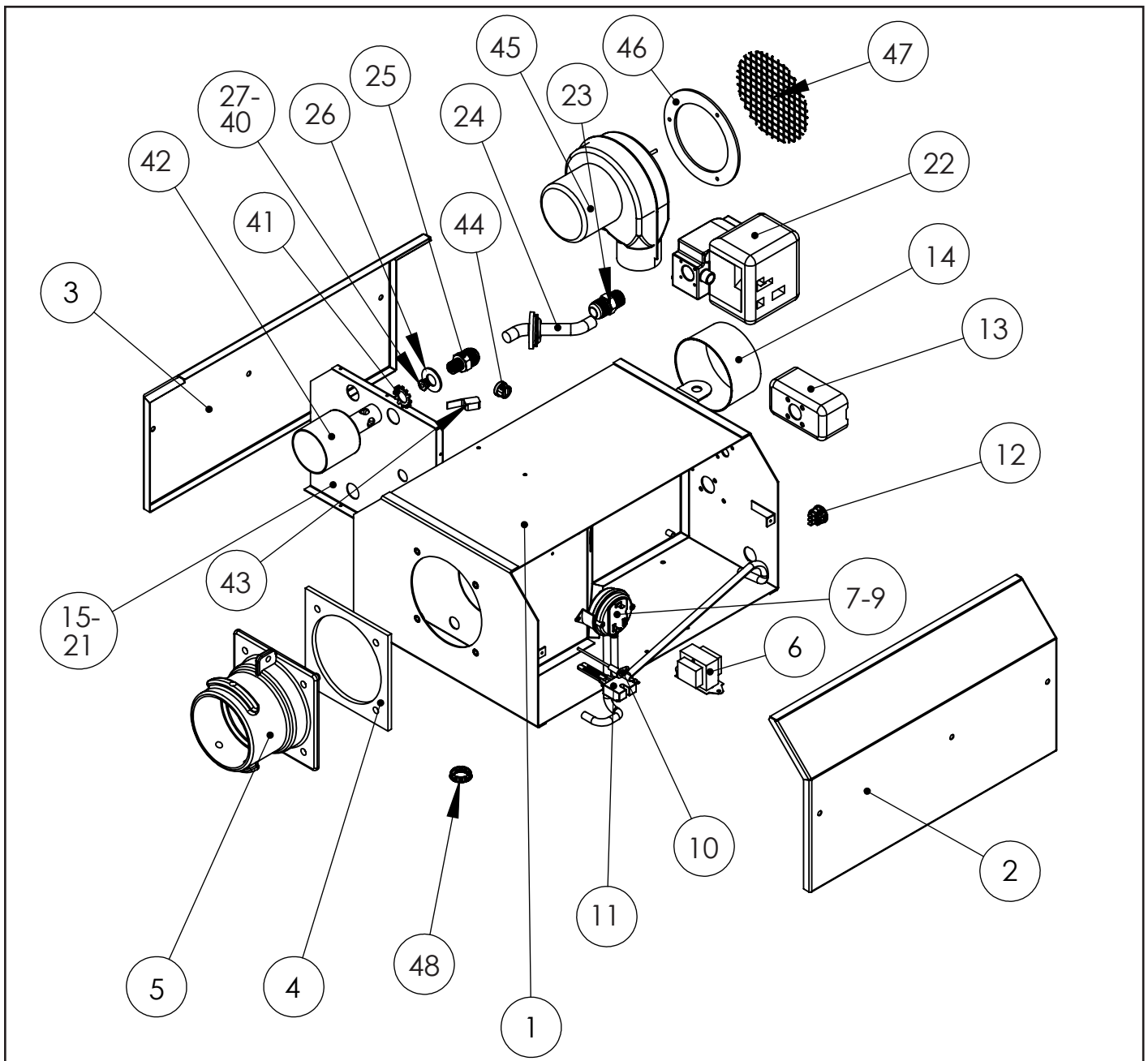
## INSTALLATION KITS

F111751.....Installation kit for 20' tube heater  
 F111752.....Installation kit for 30' tube heater  
 F111753.....Installation kit for 40' tube heater  
 F111754.....Installation kit for 50' tube heater  
 F111755.....Installation kit for 60' tube heater  
 Kit d'installation comprend:  
 24 volts thermostat, chapeau de cheminée, 24 "connecteurs en acier inoxydable flexible de gaz, vanne d'arrêt du gaz, et de la chaîne de kits nécessaires pour accrocher chauffe.

## CONVERSION KITS

ERXL-40				
ERXL-60	11732	LP TO NG	11733	NG TO LP
ERXL-80	11734	LP TO NG	11735	NG TO LP
ERXL-100	11736	LP TO NG	11737	NG TO LP
ERXL-125	11738	LP TO NG	11739	NG TO LP
ERXL-150	11740	LP TO NG	11741	NG TO LP
ERXL175	11730	LP TO NG	11731	NG TO LP





ITEM#	EGI #	DESCRIPTION	QTY
1	02716XL	ENCEINTE	1
2	02725XL	COUVERCLE LATÉRAL DES COMMANDES	1
3	02749XL	COUVERCLE LATÉRAL DU MOTEUR	1
4	12397	JOINT D'ÉTANCHÉITÉ DU REBORD AVANT	1
5	02753	REBORD DU TUBE AVANT	1
6	08364A	MODULE D'ALLUMAGE	1
7	02836	TRANSFORMATEUR	1
8	10413A	MANOSTAT 125/80 ET 100/60	1
9	10414A	MANOSTAT 175/125	1
10	02730	ALLUMEUR DE SURFACE CHAUDE	1
11	02765	TIGE DE DÉTECTEUR DE FLAMME	1
12	02847	BAGUE À 3 EXTRÉMITÉS DE THERMOSTAT	1
13	99101	BOÎTE DE JONCTION ÉLECTRIQUE	1
14	02747	REBORD DE PRISE DU VENTILATEUR	1
15	05510XL	40K PLAQUE D'AIR	1
16	05505XL	60K PLAQUE D'AIR	1

ITEM#	EGI #	DESCRIPTION	QTY
17	05502XL	80K PLAQUE D'AIR	1
18	05501XL	100K PLAQUE D'AIR	1
19	05500XL	125K PLAQUE D'AIR	1
20	05503XL	150K PLAQUE D'AIR	1
21	05508XL	175K PLAQUE D'AIR	1
22A	00016	SOUPAPE À GAZ (NG)	1
22B	00017	SOUPAPE À GAZ (LP)	1
23	02758	RACCORD DE LA SORTIE DE LA SOUPAPE À GA	1
24	17379	COLLECTEUR DE GAZ	1
25	02720	SUPPORT D'ORIFICE	1
26	98541	RONDELLE PLATE DU SUPPORT D'ORIFICE	1
27	05794	40K ORIFICE (NG)	1
28	05749	40K ORIFICE (LP)	1
29	05726	60K ORIFICE (NG)	1
30	05744	60K ORIFICE (LP)	1
31	05718	80K ORIFICE (NG)	1

ITEM#	EGI #	DESCRIPTION	QTY
32	05737	80K ORIFICE (LP)	1
33	05712	100K ORIFICE (NG)	1
34	05733	100K ORIFICE (LP)	1
35	05703	125K ORIFICE (NG)	1
36	05730	125K ORIFICE (LP)	1
37	05796	150K ORIFICE (NG)	1
38	05728	150K ORIFICE (LP)	1
39	05799	175 ORIFICE (NG)	1
40	05725	175K ORIFICE (LP)	1
41	98547	RONDELLE DENTÉE EXTERNE	1
42	02371	GOBELET DU BRÛLEUR	1
43	10391A	INTERRUPTEUR DE LA PORTE	1
44	02721	BAGUE À 2 EXTRÉMITÉS	1
45	07376	VENTILATEUR	1
46	12395	RONDELLE DU VENTILATEUR	1
47	02718	ÉCRAN DU VENTILATEUR	1
48	02795	FENÊTRE DE VUE	1



# INSTRUCTIONS D'UTILISATION ET MANUEL DU PROPRIÉTAIRE

**HEATSTAR** **ERXL**

110V MODELS

ERXL-40	ERXL-60
ERXL-80	ERXL-100
ERXL-125	ERXL-150
ERXL-175	



## AVERTISSEMENT :

N'UTILISEZ QUE LES PIÈCES DE REMPLACEMENT DU FABRICANT. L'UTILISATION D'AUTRES PIÈCES RISQUE DE CAUSER DES BLESSURES ET LA MORT. LES PIÈCES DE REMPLACEMENT NE SONT OFFERTES QUE PAR LE FABRICANT ET DOIVENT ÊTRE INSTALLÉES PAR UNE ENTREPRISE DE SERVICE SPÉCIALISÉE.

### POUR OBTENIR DES INFORMATIONS SUR LE SERVICE OU LES PIÈCES :

Contactez votre fournisseur ou technicien de service de chauffage local.

### POUR TOUTE INFORMATION SUPPLÉMENTAIRE :

Veuillez appeler la ligne sans frais 800 251-0001 • [www.heatstarbyenerco.com](http://www.heatstarbyenerco.com)

Nos heures de bureau sont de 8 h à 17 h, HNE, du lundi au vendredi.

Veuillez avoir le numéro du modèle, le numéro de série et la date d'achat à portée de main.

### GARANTI LIMITÉE

L'entreprise garantit que ce produit est exempt d'imperfections dans le matériel ou la main-d'œuvre, sous une utilisation normale et adéquate selon les directives de l'entreprise, pour une période de 10 años a partir de la fecha de entrega al comprador con las siguientes excepciones.

- Pour l'installation dans un lave-auto et dans les zones à l'exposition à des produits chimiques corrosifs, tels que l'ammoniac, le chlore, etc., la garantie sera limitée à 2 ans sur les tubes et 1 an sur les autres composants.

L'entreprise, à son option, réparera ou remplacera les produits retournés par l'acheteur à l'usine, le transport prépayé à l'intérieur de ladite période d'un an, et trouvés par l'entreprise comme ayant des imperfections dans le matériau ou la main-d'œuvre.

Si une pièce est endommagée ou manquante, appelez notre Service de soutien technique au 800 251-0001.

Envoyez toute réclamation de garantie au service à la clientèle, Enerco Group, Inc, 4560 W. 160TH ST., CLEVELAND, OHIO 44135 États-Unis. Incluez votre nom, adresse et numéro de téléphone ainsi que les détails concernant la revendication. De plus, fournissez-nous la date d'achat et le nom et l'adresse du fournisseur de qui vous avez acheté notre produit.

Ce qui précède est la pleine étendue de la responsabilité de l'entreprise. Il n'existe aucune autre garantie, expresse ou implicite. Spécifiquement, il n'existe aucune garantie d'adaptabilité à une fin en particulier et aucune garantie de marchandabilité. En aucun cas l'entreprise doit être responsable des délais provoqués par les imperfections, des dommages de conséquence ou pour tout frais des dépenses de quelque nature encourues sans son consentement par écrit. Le coût de la réparation ou du remplacement doit être la solution exclusive pour tout bris de la garantie. Il n'existe aucune garantie contre le non-respect de celle-ci et aucune garantie implicite découlant du cours de la transaction ou de l'usage commercial. Cette garantie ne s'appliquera pas à tout produit qui a été réparé ou modifié hors de l'usine de quelque façon qui, selon nous, affecte sa condition ou son opération.

Certains États ou certaines provinces n'autorisent ni l'exclusion ni la restriction des dommages accessoires ou consécutifs, par conséquent, les restrictions ou exclusions précédentes peuvent ne pas s'appliquer à votre cas. La présente garantie vous donne des garanties juridiques particulières et vous pouvez également jouir d'autres droits qui varient d'une province ou d'un État à l'autre.

Enerco Group, Inc se réserve le droit de modifier en tout temps, sans préavis ni obligation, les couleurs, spécifications, accessoires, matériaux et modèles.

Enerco Group, Inc, 4560 W. 160TH ST., CLEVELAND, OHIO 44135 • 866-447-2194  
© 2018, Enerco Group, Inc Tous droits réservés





# INSTRUCCIONES DE USO Y MANUAL DEL USUARIO

Modelo #  
ERXL-40 ERXL-60  
ERXL-80 ERXL-100  
ERXL-125 ERXL-150  
ERXL-175

**LEA CUIDADOSAMENTE LAS INSTRUCCIONES:** SU SEGURIDAD ES IMPORTANTE PARA USTED Y PARA LOS DEMÁS. Lea y siga todas las instrucciones. Conserve estas instrucciones en un lugar seguro para futura referencia. No permita que nadie que no haya leído estas instrucciones arme, encienda, ajuste o use el calentador.



## Heatstar ERXL

Calentadores infrarrojos a gas, de baja intensidad,  
aprobados para aplicaciones comerciales

### IDIOMAS INCLUIDOS

•INGLÉS  
•FRANCÉS  
•ESPAÑOL

**ADVERTENCIA:** La instalación, ajuste, alteración, reparación o mantenimiento inadecuados puede causar daños materiales, lesiones o la muerte. Lea completamente las instrucciones de instalación, operación y mantenimiento antes de instalar o reparar este equipo.

- QUÉ HACER SI DETECTA OLOR A GAS
  - Abrir las ventanas
  - **NO** intentar encender ningún artefacto.
  - **NO** utilizar ningún interruptor eléctrico.
  - **NO** usar ningún teléfono en su casa. Llame inmediatamente a la compañía local de gas desde el teléfono de un vecino. Siga las instrucciones de la compañía de gas.
  - **No toque** ningún interruptor eléctrico; no use ningún teléfono en el edificio.
  - La instalación y la reparación deben ser realizadas por un instalador calificado, agencia de reparaciones o la compañía de gas.
  - Si no se puede comunicar con la compañía de gas, llame a los bomberos.

### POR SU SEGURIDAD:

No almacene ni utilice gasolina ni ningún otro vapor ni líquido inflamable cerca de este ni de ningún otro artefacto.

**ADVERTENCIA:** Si no se siguen estas instrucciones al pie de la letra, podría producirse un incendio o una explosión que provocaría daños materiales, lesiones o muertes.

### ADVERTENCIA:

⚠ SU SEGURIDAD ES IMPORTANTE PARA USTED Y PARA LOS DEMÁS, ASÍ QUE POR FAVOR LEA ESTAS INSTRUCCIONES ANTES DE UTILIZAR EL CALENTADOR.

### ADVERTENCIA GENERAL DE PELIGRO:

⚠ EL NO CUMPLIR CON LAS PRECAUCIONES E INSTRUCCIONES QUE VIENEN CON ESTE CALENTADOR PUEDE CAUSAR LA MUERTE, LESIONES GRAVES Y PÉRDIDAS Y DAÑOS MATERIALES DERIVADOS DEL PELIGRO DE INCENDIO, EXPLOSIÓN, QUEMADURAS, ASFIXIA, ENVENENAMIENTO CON MONÓXIDO DE CARBONO, Y/O DESCARGAS ELÉCTRICAS.

⚠ SOLO LAS PERSONAS QUE ENTIENDAN Y PUEDAN SEGUIR LAS INSTRUCCIONES DEBEN USAR O MANTENER ESTE CALENTADOR.

⚠ SI NECESITA AYUDA O INFORMACIÓN ACERCA DEL CALENTADOR, COMO UN MANUAL DE INSTRUCCIONES, ETIQUETAS, ETC., PÓNGASE EN CONTACTO CON EL FABRICANTE.

### ADVERTENCIA:

⚠ PELIGRO DE INCENDIO, QUEMADURAS, INHALACIÓN Y EXPLOSIÓN. MANTENGA LOS COMBUSTIBLES SÓLIDOS COMO MATERIALES DE CONSTRUCCIÓN, PAPEL O CARTÓN A UNA DISTANCIA SEGURA DEL CALEFACTOR TAL COMO LO RECOMIENDAN LAS INSTRUCCIONES. NUNCA USE EL CALENTADOR EN ESPACIOS QUE CONTIENEN O PODRÍAN CONTENER COMBUSTIBLES VOLÁTILES O PRODUCTOS COMO GASOLINA, SOLVENTES, DILUYENTE DE PINTURA O PRODUCTOS QUÍMICOS DESCONOCIDOS.

⚠ **ADVERTENCIA:** UNA DE LAS SUSTANCIAS QUE SE DESPRENDE EN LA COMBUSTIÓN AL USAR ESTE EQUIPO ES EL MONÓXIDO DE CARBONO, UN PRODUCTO QUÍMICO QUE DE ACUERDO CON EL ESTADO DE CALIFORNIA PRODUCE CÁNCER Y DEFECTOS DE NACIMIENTO (U OTROS DAÑOS REPRODUCTIVOS). PARA MÁS INFORMACIÓN, VISITE [WWW.P65WARNINGS.CA.GOV](http://WWW.P65WARNINGS.CA.GOV)

⚠ **ADVERTENCIA:** LOS COMBUSTIBLES USADOS EN EQUIPOS PARA LICUAR GAS PROPANO, ASÍ COMO LOS PRODUCTOS DE SU COMBUSTIÓN, PUEDEN EXPONERTE A SUSTANCIAS QUÍMICAS, ENTRE ELLAS EL BENCENO, QUE EL ESTADO DE CALIFORNIA RECONOCE COMO CAUSA DE CÁNCER Y DE MALFORMACIONES CONGÉNITAS Y OTROS DAÑOS AL SISTEMA REPRODUCTOR. PARA MÁS INFORMACIÓN, [WWW.P65WARNINGS.CA.GOV](http://WWW.P65WARNINGS.CA.GOV)

## CONTENTS

Sección 1 INTRODUCCIÓN.....	2
Section 2 PLANNING.....	3
Sección 3 INSTALACIÓN Y ARMADO .....	6
Sección 4 ESPECIFICACIONES DE INGENIERÍA .....	13
Sección 5 VENTEO/CONDUCTOS .....	14
Sección 6 TUBERÍA DE GAS.....	17
Sección 7 CABLEADO.....	18
Sección 8 OPERACIÓN Y MANTENIMIENTO.....	18
Sección 9 RESOLUCIÓN DE PROBLEMAS.....	21
PARTES DE REPUESTO.....	22
INFORMACIÓN DE GARANTÍA.....	28

## SECTION 1: Introduction

Los modelos Heatstar ERXL on calefactores infrarrojos económicos, de armado en el lugar, que son fáciles de instalar y que requieren muy poco mantenimiento. Están diseñados para brindar años de funcionamiento económico sin problemas.

### Verificación del envío

Compare el envío contra la lista de envío para verificar que no le falte nada. Además, revise las cajas para verificar que no tengan daños externos. Anote cualquier cosa que falte y/o los daños externos a las cajas en la lista de envío ante la presencia del camionero que realiza la entrega. El camionero deberá reconocer cualquier faltante o daño colocando sus iniciales en la lista de

envío con los comentarios. Realice inmediatamente el reclamo por materiales dañados o faltantes que no haya notado al momento de recibirlos, a la empresa de transporte y al representante de la fábrica Enerco Group, Inc.

### Installer Responsibility

Todos los calefactores y las tuberías de gas asociadas deben ser instaladas de acuerdo con las especificaciones correspondientes y la instalación debe ser realizada únicamente por empresas (o personas) correctamente calificadas para este tipo de trabajo. Consulte con inspectores locales de edificios, los bomberos o su representante local de la fábrica Enerco Group, Inc por recomendaciones.

La instalación de los calefactores Heatstar ERXL se basa en la información suministrada en un diagrama de distribución, que junto con las normas y reglamentaciones mencionadas anteriormente constituyen la información básica necesaria para completar la instalación. El instalador deberá proporcionar todo el material necesario que no se incluye como equipo estándar, y es su responsabilidad verificar que dicho material y los métodos de instalación que utilice constituyan un trabajo de calidad profesional y de acuerdo con todas las normas correspondientes.

Los representantes de Enerco Group, Inc cuentan con entrenamiento y experiencia en este equipo y los puede llamar por sugerencias acerca de la instalación, lo que puede ahorrarle material y dinero.

## SECCIÓN 2: Planificación

Deben respetarse las siguientes normas e instrucciones al planificar la instalación del calefactor Ener-Radiant ER2STG. Además de estas instrucciones, hay que respetar cuidadosamente las advertencias de la Sección 1, ya que una instalación inadecuada podría causar daños materiales, lesiones o la muerte.

### Normas nacionales y reglamentaciones correspondientes

#### Normas de gas:

Se debe utilizar el tipo de gas que se indica en la placa de identificación. La instalación debe cumplir con las normas locales, con las recomendaciones de la compañía local de gas y con el Código nacional del gas combustible, ANSI Z223.1 – última versión, (igual que con el Boletín NFPA 54) o con el Código de instalación de gas natural y propano, CSA B149.1.

- Debe mantenerse la separación entre el calefactor y su ventilación y el material combustible adyacente (ya sea parte del edificio o su contenido) para cumplir con la norma de instalación de artefactos a gas y tuberías de gas, NFPA-54 /ANSI Z223.1 – última versión, el Código nacional del gas combustible o el Código de instalación de gas natural y propano, CSA B149.1.

#### Hangares para aviones:

La instalación en hangares de aviones debe hacerse de acuerdo con la Norma para hangares de aviones, ANSI / NFPA-409 – última versión.

- En lugares de almacenamiento o reparación de aviones, los calefactores deben instalarse a una altura de 3 m por encima de la superficie superior de las alas o de los compartimientos de motores del avión más alto que podría guardarse en el hangar. (Esto debe medirse desde la parte de abajo del calefactor hasta el ala o el compartimiento del motor, lo que sea más alto desde el piso).
- En otras secciones de hangares para aviones, como talleres u oficinas, no se pueden instalar calefactores a menos de 2,5 m de altura.
- Los calefactores instalados en hangares para aviones deben ubicarse de manera que no sean dañados por los aviones, grúas, andamios móviles u otros objetos.

#### Estacionamientos públicos:

La instalación en estacionamientos debe hacerse de acuerdo con la Norma para estructuras de estacionamientos, NFPA-88A – última versión o la Norma para talleres de reparaciones, NFPA-88B – última versión.

- No se pueden instalar los calefactores a menos de 2,5 m de altura. Se deben mantener las distancias mínimas a combustibles para los vehículos estacionados debajo del calefactor.
- Cuando se instalan sobre aparejos elevadores, se deben mantener las distancias mínimas a combustibles desde el punto más alto del elevador.

#### Venteo:

El venteo debe instalarse de acuerdo con la última versión de ANSI Z223.1 o CSA 149.1. Se suministra información parcial acerca de esta norma en la Sección 5 de este manual de instalación, con respecto al tamaño y configuración de sistemas de venteo.

- Toda sección de las tuberías presurizadas que pasen a través de una pared combustible deben estar doblemente aisladas o tener un guardacabo aprobado. Consulte la última versión de ANSI Z223.1 o CSA 149.1.

#### Lugares peligrosos:

Cuando exista la posibilidad de exposición a material combustible suspendido en el aire o en forma de vapor, consulte con los bomberos locales, la compañía de seguros contra incendio u otras autoridades para que aprueben la instalación propuesta.

### Consideraciones críticas

El Heatstar ERXL es un calefactor suspendido. Por lo tanto, su estabilidad, flexibilidad y seguridad son muy importantes. Antes de comenzar con la instalación, verifique que el sistema pueda cumplir con los siguientes requisitos.

- Mantener las distancias especificadas a combustibles y una distancia segura a materiales, equipos y estaciones de trabajo sensibles al calor.
- Las distancias a combustibles indicadas representan una temperatura superficial de 90 °F (30 °C) por encima de la temperatura ambiente. Los materiales de construcción con baja tolerancia a la temperatura (como el plástico, revestimiento vinílico, lona, etc.) podrían degradarse a temperaturas menores. Es responsabilidad del instalador el asegurarse que los materiales adyacentes estén protegidos contra la degradación.
- Proporcionar una suspensión con un tramo vertical de cadena o varilla que tenga por lo menos 2" de movimiento horizontal en línea recta para cada quemador. Asegúrese de que el sistema de suspensión sea lo suficientemente flexible como para permitir la expansión térmica que ocurre cuando el sistema se calienta (ver la Figura 6 de la página 12).
- Brindar acceso a los quemadores para reparaciones, preferentemente de ambos lados, por encima y por debajo del quemador para poder removerlo.
- Brindar una separación mínima de 18 pulgadas entre el quemador y las paredes del edificio. (Respetar siempre las distancias mínimas a materiales combustibles).
- Asegúrese de que el calefactor tenga una inclinación de 1/2 pulgada por cada 20 pies de distancia del quemador.
- Proporcionar carteles en lugares de almacenamiento especificando la altura máxima de apilamiento requerida para mantener las distancias requeridas a materiales combustibles.
- Planear los soportes para el lugar (ver la Figura 2A-G de la página 8). Colocar un soporte cerca de todos los codos.
- La instalación debe cumplir con las normas locales de construcción, y si no existen normas locales, con el Código nacional del gas combustible, ANSI Z223.1/NFPA 54 o con el Código de instalación de gas natural y propano, CSA B149.1.
- Si se utiliza una fuente de energía eléctrica externa, el calefactor, al instalarlo, deberá estar conectado eléctricamente a tierra de acuerdo con la Norma eléctrica nacional, ANSI/ NFPA 70 o con la Norma de Electricidad Canadiense, CSA C22.1.

F102848	Kit de ventilación (4 pulgadas, 10 cm) vertical
F102849	Kit de ventilación (6 pulgadas, 15 cm) vertical
F102859	Kit de ventilación (4 pulgadas, 10 cm) horizontal

# DISTANCIA A COMBUSTIBLES

TABLA 1: Distancias mínimas a materiales combustibles (use la Figura 1 de la página 5 como guía)

Tipo de reflector	Posición	ERXL-40	ERXL-60	ERXL-80	ERXL-100	ERXL-125	ERXL-150	ERXL-175
Reflector estándar (horizontal)	A	6" (15,25cm)	6" (15,25cm)	6" (15,25cm)	6" (15,25cm)	6" (15,25cm)	6" (15,25cm)	8" (20,5 cm)
	B	30" (76,25 cm)	30" (76,25 cm)	36" (30,5 cm)	36" (30,5 cm)	36" (30,5 cm)	36" (30,5 cm)	36" (30,5 cm)
	C	55" (140 cm)	55" (140 cm)	55" (140 cm)	74" (188 cm)	87" (221 cm)	87" (221 cm)	87" (221 cm)
	D	30" (76,25 cm)	30" (76,25 cm)	36" (30,5 cm)	36" (30,5 cm)	36" (30,5 cm)	36" (30,5 cm)	36" (30,5 cm)
Reflector inclinado 45°	A	12" (30,5 cm)	12" (30,5 cm)	18" (46 cm)	18" (46 cm)	18" (46 cm)	18" (46 cm)	18" (46 cm)
	B	30" (76,25 cm)	30" (76,25 cm)	36" (30,5 cm)	36" (30,5 cm)	36" (30,5 cm)	36" (30,5 cm)	36" (30,5 cm)
	C	55" (140 cm)	55" (140 cm)	55" (140 cm)	74" (188 cm)	87" (221 cm)	87" (221 cm)	87" (221 cm)
	E	36" (30,5 cm)	36" (30,5 cm)	36" (30,5 cm)	36" (30,5 cm)	36" (30,5 cm)	36" (30,5 cm)	36" (30,5 cm)
	F	60" (152,5 cm)	60" (152,5 cm)	60" (152,5 cm)	60" (152,5 cm)	60" (152,5 cm)	60" (152,5 cm)	60" (152,5 cm)
Tubo U estándar (Horizontal)	A	6" (15,25cm)	6" (15,25cm)	6" (15,25cm)	6" (15,25cm)	6" (15,25cm)	6" (15,25cm)	8" (20,5 cm)
	B	30" (76,25 cm)	30" (76,25 cm)	36" (30,5 cm)	36" (30,5 cm)	36" (30,5 cm)	36" (30,5 cm)	36" (30,5 cm)
	C	55" (140 cm)	55" (140 cm)	55" (140 cm)	74" (188 cm)	87" (221 cm)	87" (221 cm)	87" (221 cm)
	D	30" (76,25 cm)	30" (76,25 cm)	36" (30,5 cm)	36" (30,5 cm)	36" (30,5 cm)	36" (30,5 cm)	36" (30,5 cm)
Tubo U opuesto 45°	A	12" (30,5 cm)	12" (30,5 cm)	18" (46 cm)	18" (46 cm)	18" (46 cm)	18" (46 cm)	18" (46 cm)
	B	30" (76,25 cm)	30" (76,25 cm)	36" (30,5 cm)	36" (30,5 cm)	36" (30,5 cm)	36" (30,5 cm)	36" (30,5 cm)
	C	55" (140 cm)	55" (140 cm)	55" (140 cm)	74" (188 cm)	87" (221 cm)	87" (221 cm)	87" (221 cm)
	F	60" (152,5 cm)	60" (152,5 cm)	60" (152,5 cm)	60" (152,5 cm)	60" (152,5 cm)	60" (152,5 cm)	60" (152,5 cm)
Tubo U completo 45°	A	12" (30,5 cm)	12" (30,5 cm)	18" (46 cm)	18" (46 cm)	18" (46 cm)	18" (46 cm)	18" (46 cm)
	B	30" (76,25 cm)	30" (76,25 cm)	36" (30,5 cm)	36" (30,5 cm)	36" (30,5 cm)	36" (30,5 cm)	36" (30,5 cm)
	C	55" (140 cm)	55" (140 cm)	55" (140 cm)	74" (188 cm)	87" (221 cm)	87" (221 cm)	87" (221 cm)
	E	36" (30,5 cm)	36" (30,5 cm)	36" (30,5 cm)	36" (30,5 cm)	36" (30,5 cm)	36" (30,5 cm)	36" (30,5 cm)
	F	60" (152,5 cm)	60" (152,5 cm)	60" (152,5 cm)	60" (152,5 cm)	60" (152,5 cm)	60" (152,5 cm)	60" (152,5 cm)
Sin ventilación	Above A	36" (30,5 cm)	36" (30,5 cm)	36" (30,5 cm)	36" (30,5 cm)	36" (30,5 cm)	36" (30,5 cm)	36" (30,5 cm)

## ADVERTENCIA:

### ⚠ PELIGRO DE INCENDIO Y EXPLOSIÓN

#### PUEDA CAUSAR DAÑOS MATERIALES, LESIONES GRAVES O LA MUERTE.

Se deben mantener las distancias mínimas a materiales combustibles en todas las situaciones. El no respetar las distancias mínimas a materiales combustibles puede causar daños materiales, lesiones graves o la muerte.

Se deben mantener las distancias mínimas para los vehículos estacionados debajo del calefactor. Se deben colocar carteles en lugares de almacenamiento especificando la altura máxima de apilamiento requerida para mantener las distancias requeridas a materiales combustibles.

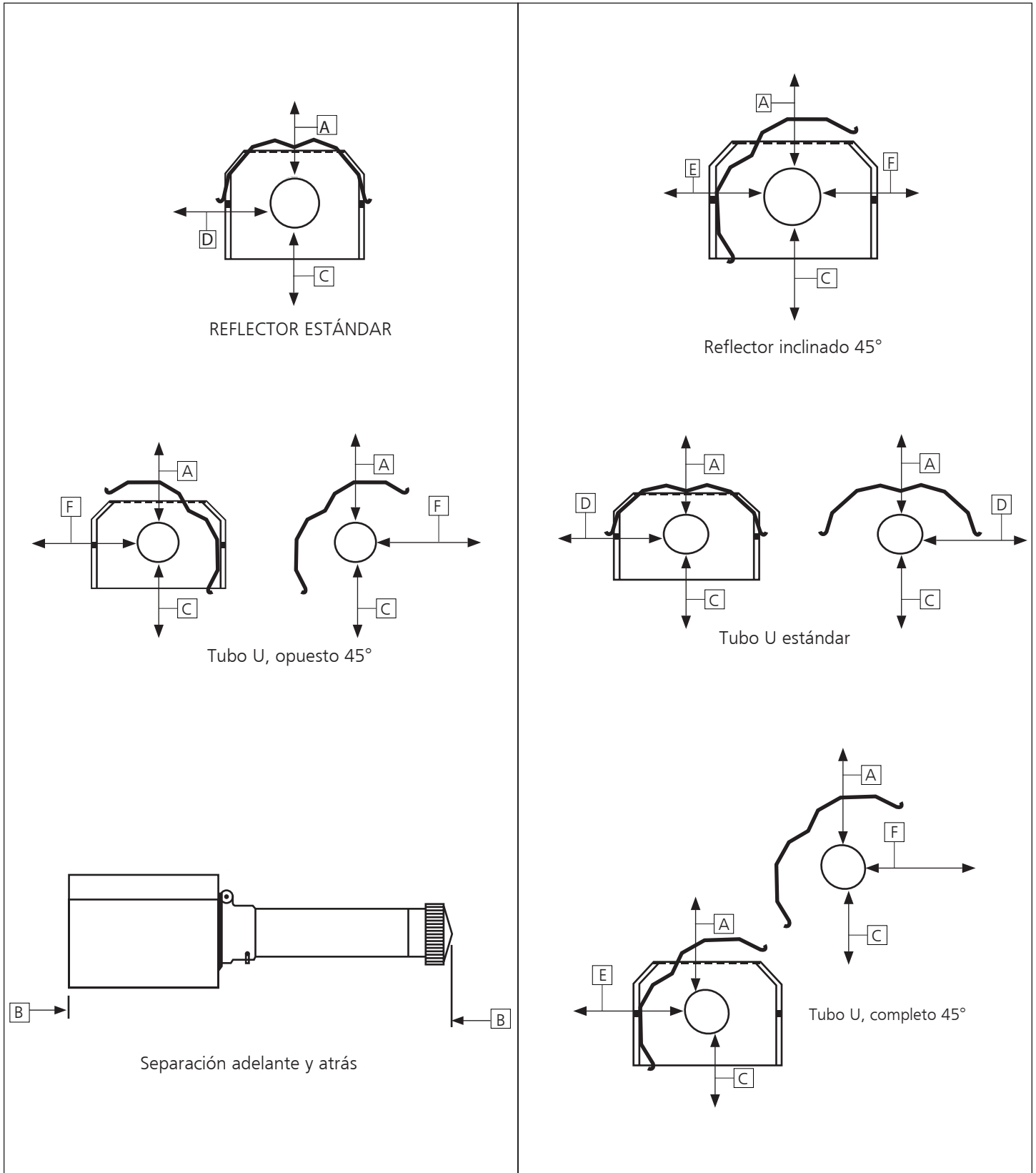
Hay que tener cuidado al hacer funcionar el sistema cerca de materiales combustibles como madera, papel, goma, etc. Hay que tener en cuenta las particiones, estantes de almacenamiento, elevadores, la construcción del edificio, etc.

La TABLA 1 indica las distancias mínimas aceptables a materiales combustibles. Las distancias indicadas en la TABLA 1 no se pueden usar en lugares cerrados por los cuatro costados.



## Distancias a combustibles

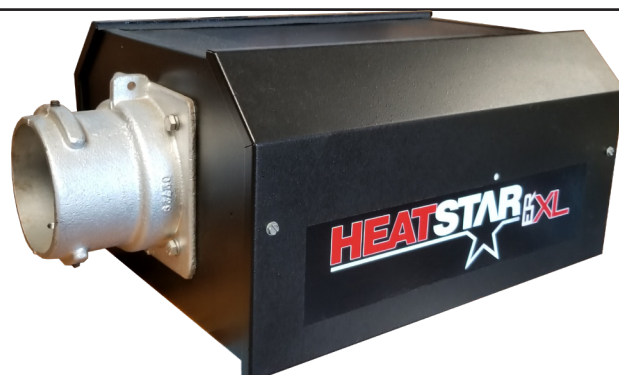
**Figura 1:** Distancias a combustibles (consulte la TABLA 1 de la página 4)





### SECTION 3: Installation & Assembly

ACOPLE DE TUBERÍA (14612)

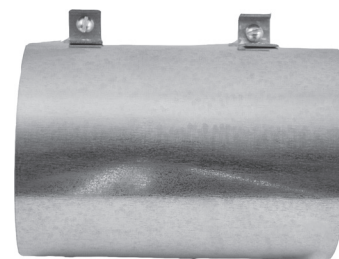


CAJA DEL QUEMADOR

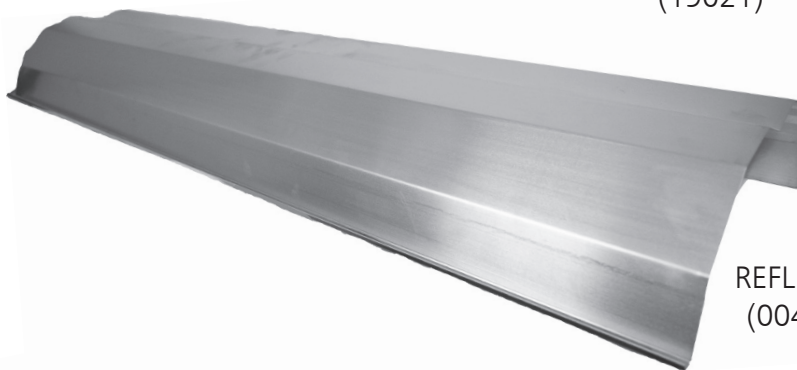
ENCASTRE PARA EL ACOUPLE DE TUBERÍA (14616)



GANCHO PARA COLGAR LA TUBERÍA (14585P)



ADAPTADOR DE VENTEO (19021)



REFLECTOR 10' (00418A)



TUBO DE 10' DEL INTERCAMBIADOR DE CALOR (06413)



DEFLECTOR DE TURBULENCIAS 10' (03445)  
DEFLECTOR DE TURBULENCIAS DE 5' (03447)

\*\*NO VIENE INCLUIDO PARA TODOS LOS MODELOS\*\*  
\*\*ONLY HEATERS 30' LENGTH AND UNDER\*\*

## Procedimiento de instalación

Aproveche al máximo la estructura superior del edificio, vigas, viguetas, largueros, etc. de donde pueda colgar el calefactor. No existe una única secuencia de instalación para la tubería. La observación del lugar usualmente le revelará una secuencia lógica. Comience la instalación en el lugar con dimensiones más críticas. Esto le podría ahorrar tiempo. Fíjese en las aperturas de las puertas, grúas del techo, elevadores de autos, etc. Los deflectores y las tuberías se pueden ir instalando a medida que va avanzando. Ajuste cuidadosamente la inclinación del sistema en cada posición para nivelar el calefactor. Use una inclinación hacia abajo de media pulgada por cada 20 pies (alejándose del quemador).

### NO HACER

Probar la tubería de gas con alta presión (más de 1/2 PSIG) sin cerrar la llave de corte de alta presión. El no hacerlo dañaría los quemadores.

### HACER

Familiarícese con las normas locales y nacionales.

Desarrolle un procedimiento planificado, para ahorrar material y trabajo durante la instalación.

Verifique que tenga todo el material y los equipos en el lugar antes de comenzar con la instalación.

Permita la expansión térmica del tubo caliente.


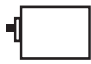
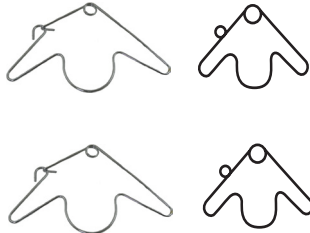
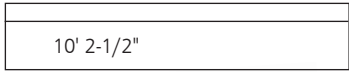
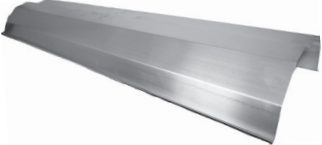
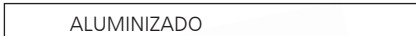



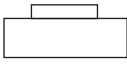
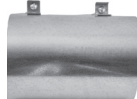
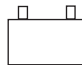
Instale el conector de gas solamente como se muestra en las instrucciones (ver la Figura 14 de la página 16).

Tener juntas deslizantes donde sea necesario entre reflectores para evitar que se pandeen o que se salgan.

Brindar una abertura de 1 pulgada<sup>2</sup> de aire libre por cada 1.000 BTU/h de entrada del calefactor (pero no menos de 100 pulgadas<sup>2</sup>) en espacios cerrados. Una abertura debe estar centro de los 12" del techo y la otra dentro de los 12" del piso del recinto.

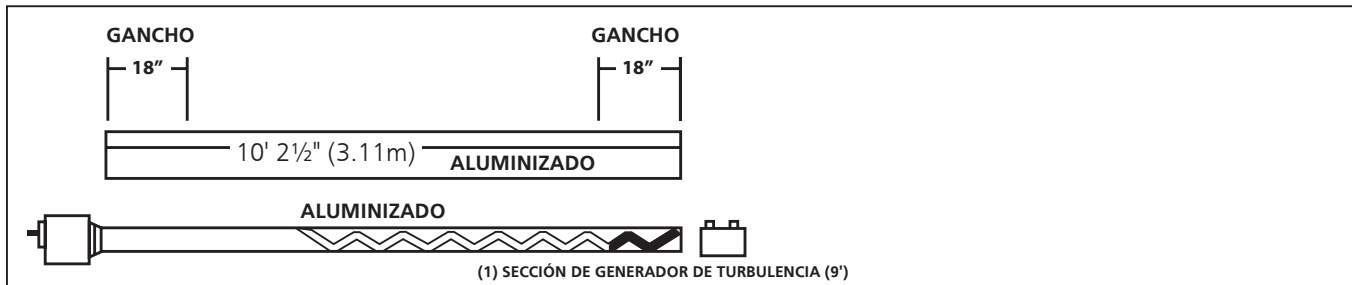
FIGURA 2: Descripción general del Ener-Radiant XL

Arme los componentes del calefactor como se muestra en las Figuras 2A, 2B, 2C, 2D, 2E, 2F and 2G. Las configuraciones opcionales del reflector se muestran en la Figura 1. Instale los accesorios necesarios de suspensión, ganchos para vigas, cadenas o varillas en los lugares predeterminados. Ajuste el largo de las cadenas para lograr una pendiente uniforme.

  <p><b>Armazón del quemador</b> Debe instalarse siempre horizontalmente.</p>	 <p><b>Gancho para colgar tubos y reflectores</b> Instalarlo inmediatamente después del primer acople.</p> <p><b>Gancho para colgar tubos y reflectores</b> Suspender el sistema de estos ganchos. Necesita dos (2) por tubo como mínimo.</p>
 <p>10' 2-1/2"</p>  <p><b>Reflectores</b> Alterne las superposiciones como se muestra en la descripción general. Se indica la longitud del reflector y la cantidad de superposición.</p>	 <p>ALUMINIZADO</p>  <p><b>Tubos del intercambiador de calor</b> Suministrados en tramos de 10' de largo.</p>
<p><b>Generador de turbulencia</b> El generador de turbulencia está ubicado al final del tercer tubo.</p> 	  <p><b>Mecanismo de acople de tuberías</b> El acople debe colocarse con la barra deslizante hacia arriba, y todos los acoples deben "apuntar" en la misma dirección.</p>   <p><b>Adaptador de venteo</b> Se usa para acoplar la tubería del intercambiador de calor a la tubería de venteo.</p>

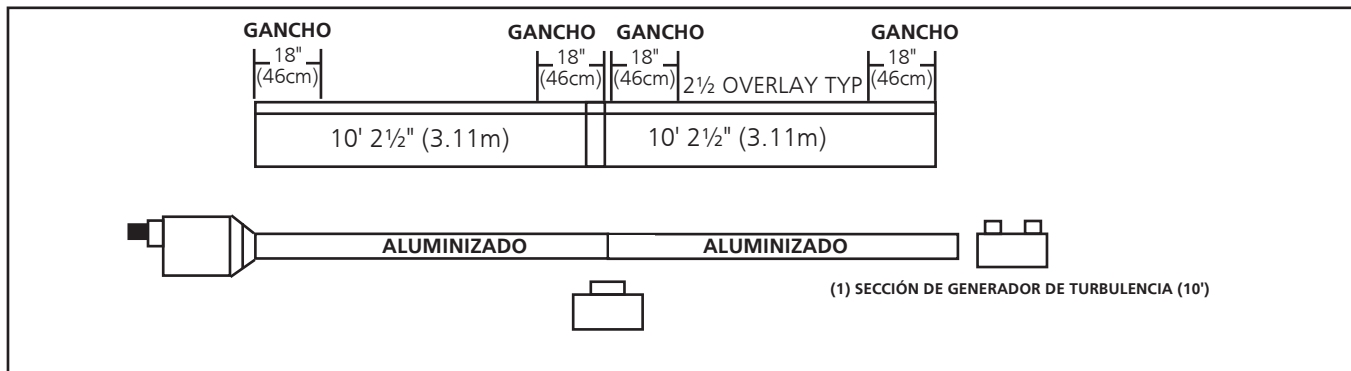
**FIGURA 2A: Ener-Radiant XL Model ERXL-40**

Intercambiador de 10' de largo. El largo total del calefactor es 11' - 4". 2 puntos de suspensión como se indica.



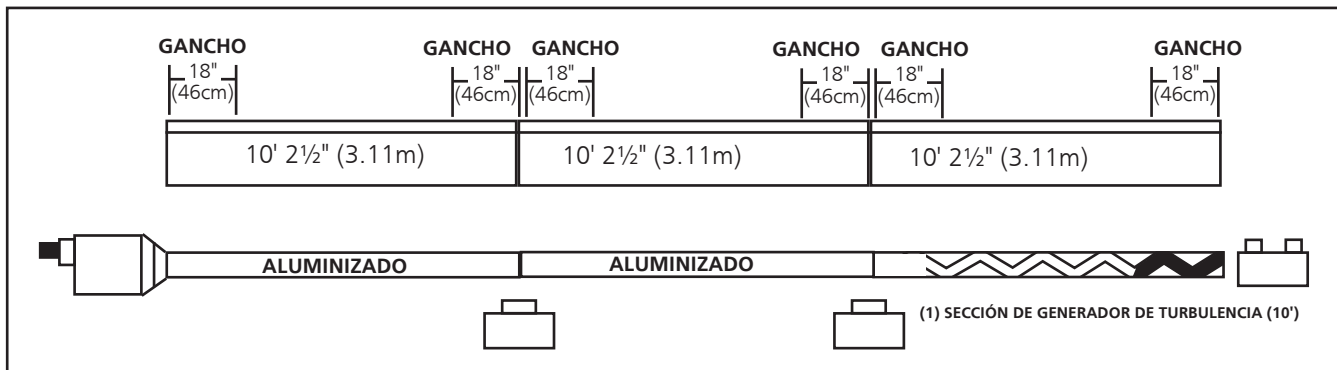
**FIGURE 2B: Ener-Radiant XL Model ERXL-60, ERXL-80, Assembly Overview**

Intercambiador de 20' de largo. El largo total del calefactor es 21' - 4". 4 puntos de suspensión como se indica.



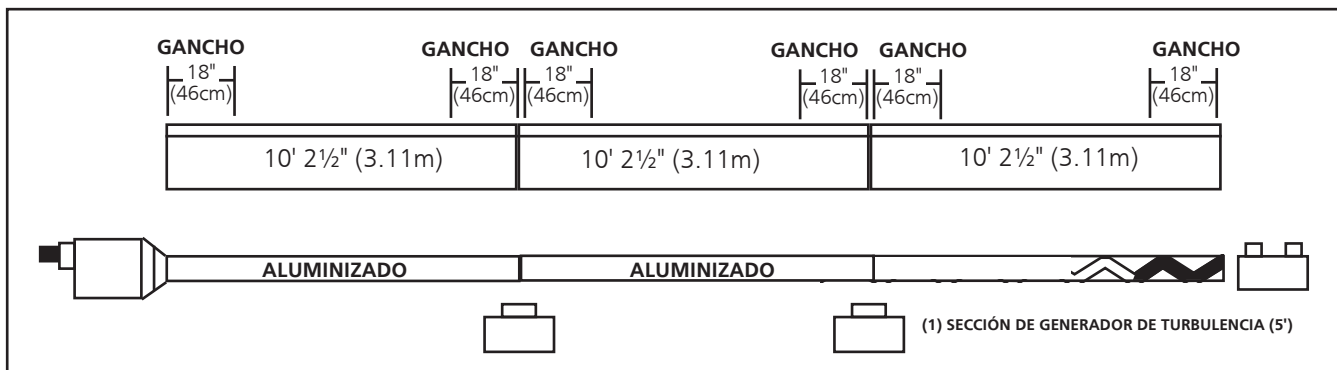
**FIGURE 2C: Ener-Radiant XL Model ERXL-80,**

Intercambiador de 30' de largo. El largo total del calefactor es 31' - 4". 6 puntos de suspensión como se indica.



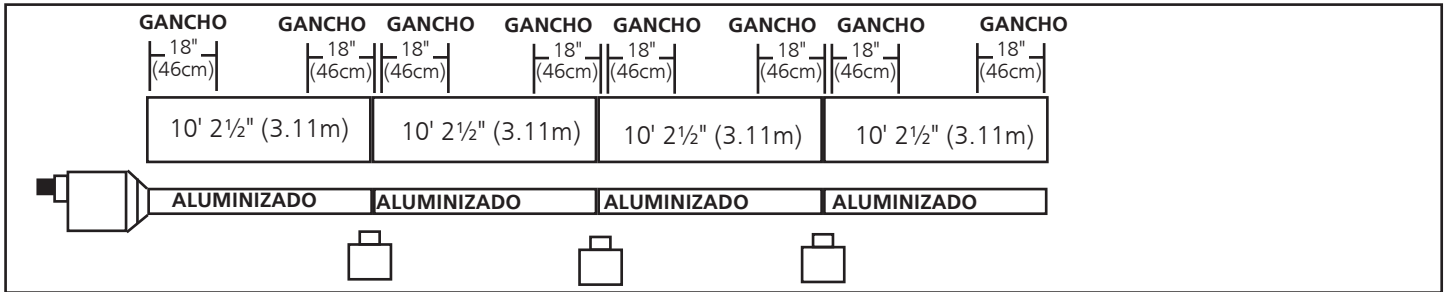
**FIGURE 2D: Ener-Radiant XL Model ERXL-100 Assembly Overview**

3Intercambiador de 30' de largo. El largo total del calefactor es 31' - 4". 6 puntos de suspensión como se indica.



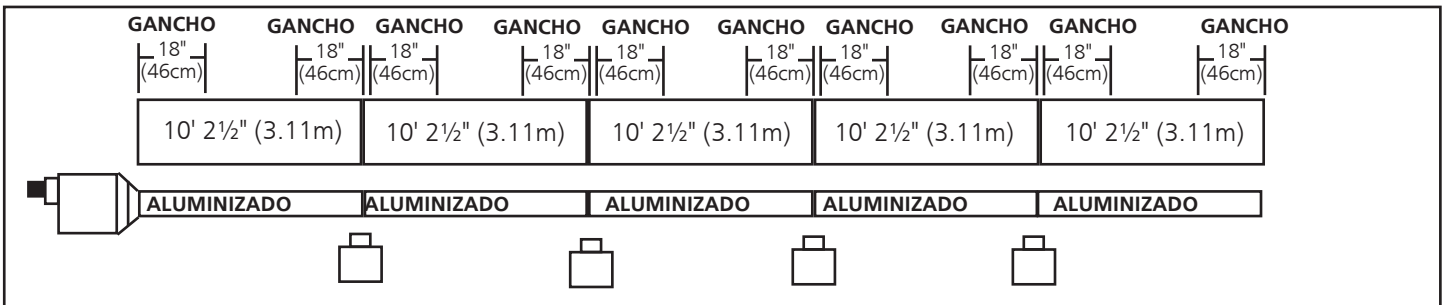
**FIGURA 2E: Ener-Radiant XL Model ERXL-100, ERXL-125**

Intercambiador de 40' de largo. El largo total del calefactor es 41' - 4". 8 puntos de suspensión como se indica.



**FIGURA 2F: Ener-Radiant XL Model ERXL-125, ERXL-150, ERXL-175**

Intercambiador de 50' de largo. El largo total del calefactor es 51' - 4". 10 puntos de suspensión como se indica.



**FIGURE 2G: Ener-Radiant XL Model ERXL-150, ERXL-175**

Intercambiador de 60' de largo. El largo total del calefactor es 61' - 4". 12 puntos de suspensión como se indica.

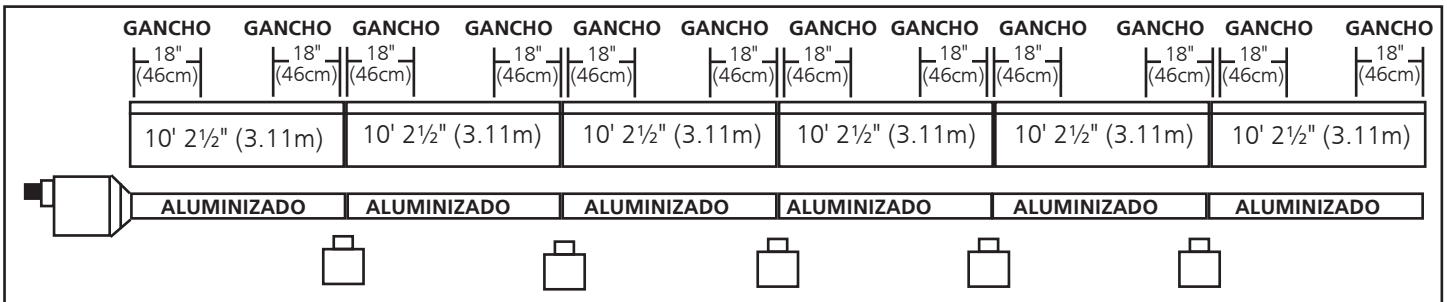
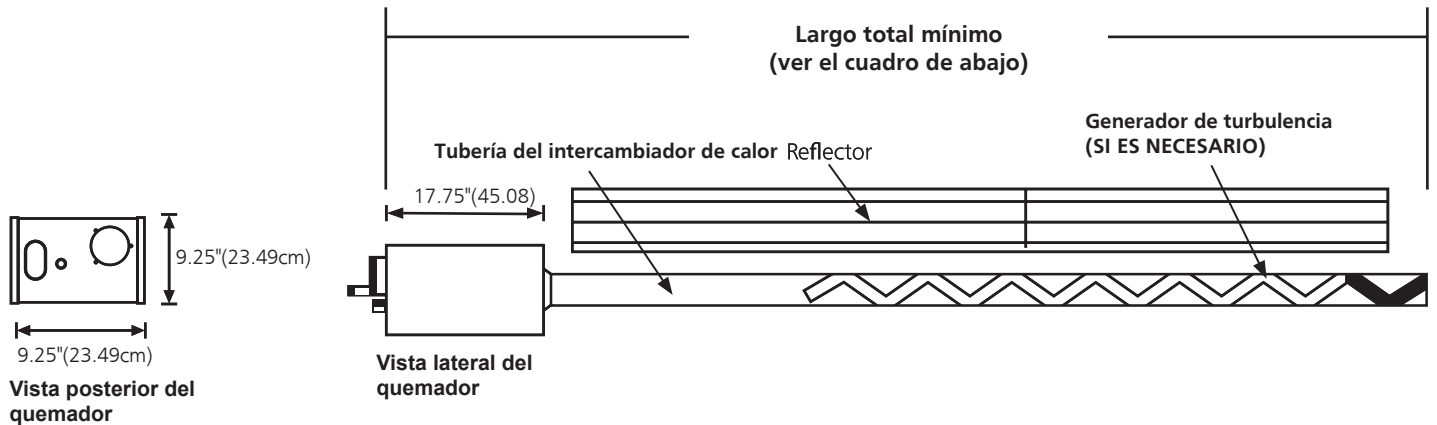


FIGURA 3: Dimensiones y alturas sugeridas de montaje para el Ener-Radiant XL



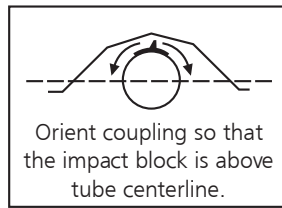
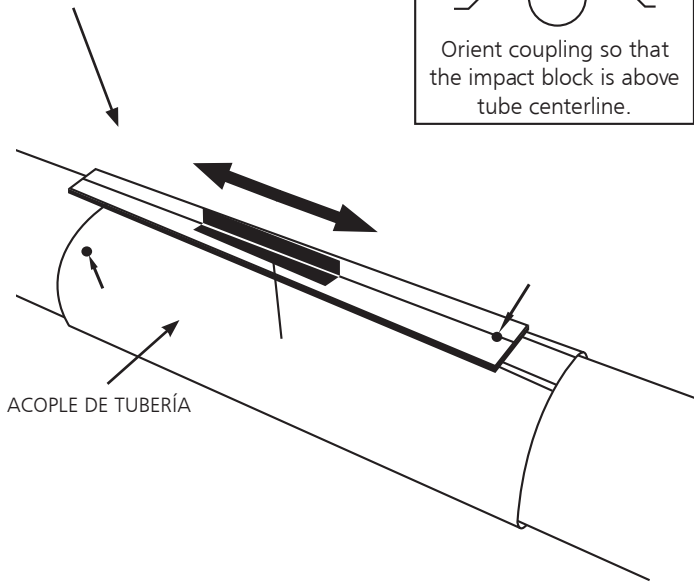
Capacidades del quemador y longitudes del intercambiador de calor: (GN y PL)				Alturas de montaje sugeridas	
Modelo #	Capacidad (BTU/h) Baja-Alta	Largo del intercambiador de calor	Generador de turbulencia	Largo total mínimo	Altura típica de montaje
ERXL-40	40,000	10 pi (3.05 m)	9 pi (2.75 m)	11 pies 4 pulgadas (3.45 m)	10 pi (3.05 m) - 14 pi (4.27 m)
ERXL-60	60,000	20 pi (6.1 m)	10 pi (3.05 m)	21 pies 4 pulgadas (6.50 m)	10 pi (3.05 m) - 14 pi (4.27 m)
ERXL-80	80,000	20 pi (6.1 m)	10 pi (3.05 m)	21 pies 4 pulgadas (6.50 m)	12 pi (3.66 m) - 15 pi (4.57 m)
ERXL-80	80,000	30 pi (9.15 m)	10 pi (3.05 m)	31 pies 4 pulgadas (9.55 m)	12 pi (3.66 m) - 15 pi (4.57 m)
ERXL-100	100,000	30 pi (9.15 m)	5 pi (1.5 m)	31 pies 4 pulgadas (9.55 m)	12 pi (3.66 m) - 15 pi (4.57 m)
ERXL-100	100,000	40 pi (12.2 m)	Ninguno	41 pies 4 pulgadas (12.60 m)	12 pi (3.66 m) - 15 pi (4.57 m)
ERXL-125	125,000	40 pi (12.2 m)	Ninguno	41 pies 4 pulgadas (12.60 m)	14 pi (4.27 m) - 19 pi (5.79 m)
ERXL-125	125,000	50 pi (15.25 m)	Ninguno	51 pies 4 pulgadas (15.65 m)	14 pi (4.27 m) - 19 pi (5.79 m)
ERXL-150	150,000	50 pi (15.25 m)	Ninguno	51 pies 4 pulgadas (15.65 m)	15 pi (4.57 m) - 25 pi (7.62 m)
ERXL-150	150,000	60 pi (18.3 m)	Ninguno	61 pies 4 pulgadas (18.69 m)	15 pi (4.57 m) - 25 pi (7.62 m)
ERXL-175	175,000	50 pi (15.25 m)	Ninguno	51 pies 4 pulgadas (15.65 m)	15 pi (4.57 m) - 25 pi (7.62 m)
ERXL-175	175,000	60 pi (18.3 m)	Ninguno	61 pies 4 pulgadas (18.69 m)	15 pi (4.57 m) - 25 pi (7.62 m)

## MECANISMO DE ACOPLER

**Acoples:** La tubería y los acoples se conectan mediante acoples envolventes que se enganchan con una traba cónica, ajustada a golpes. Los extremos de inicio del miembro de acople y traba están identificados mediante orificios de 1/4" que se juntan al comenzar a armarlo. Verifique que los extremos del tubo estén alineados y que toquen los retenes que están dentro del acople. Hay que martillar la barra deslizadora hasta que el acople quede bien ajustado alrededor de los tubos. El ajustarlo demasiado causará una distorsión en el acople o en el borde del deslizador, lo cual disminuirá la capacidad de sujeción del mismo. (Ver Figura 4)

**FIGURA 4:**

ENCASTRE PARA EL ACOPLER



Acople (sin encastrer) - 14612

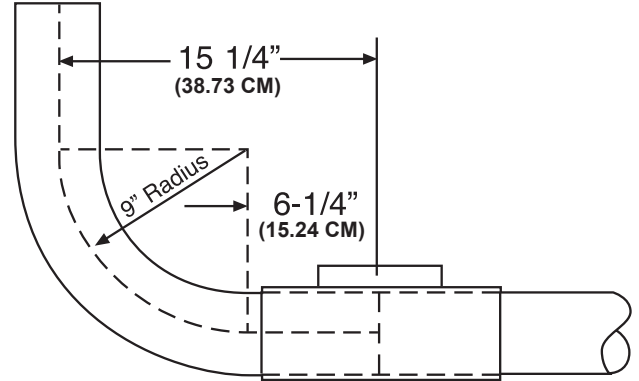
Encastrer para el acople - 14616

**FIGURA 5: instalación de codo y acople**

Paqueter de codo: El paqueter de codo (parte # F106415 ) incluye:

(1) codo, (1) acople.

Instale el codo dentro de la secuencia del tubo radiante cuando los planos indiquen una curva de 90°



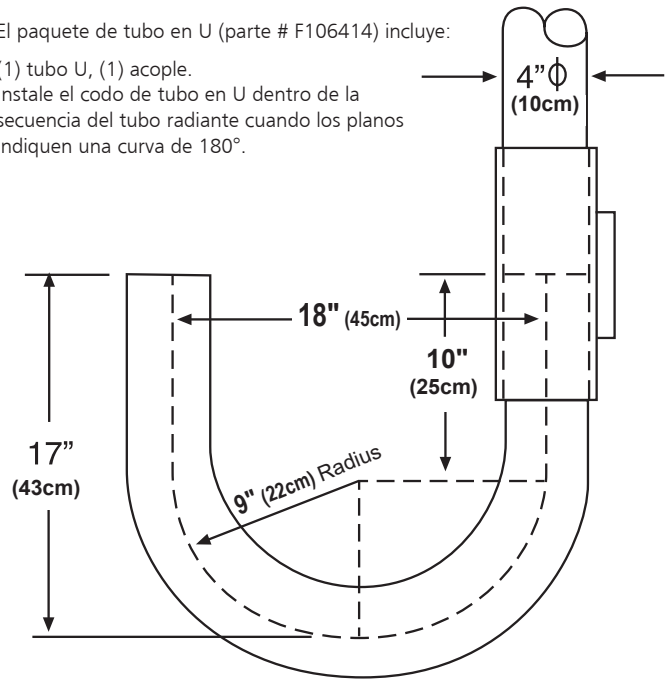
Dimensiones del acoplamiento de codo

Codo de 90°

El paqueter de tubo en U (parte # F106414) incluye:

(1) tubo U, (1) acople.

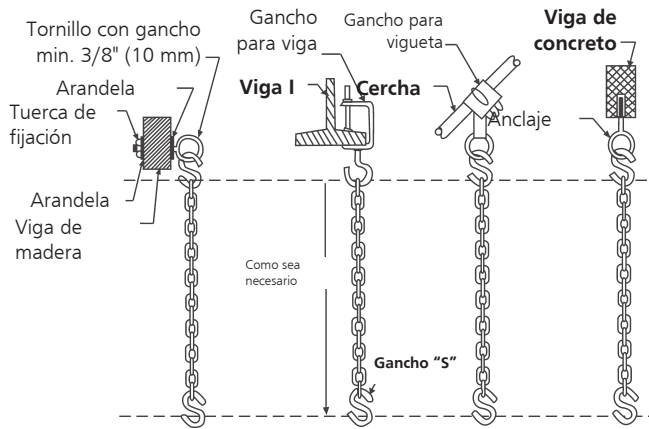
Instale el codo de tubo en U dentro de la secuencia del tubo radiante cuando los planos indiquen una curva de 180°.



U-Tube Fitting Dimensions

180° U-Tube

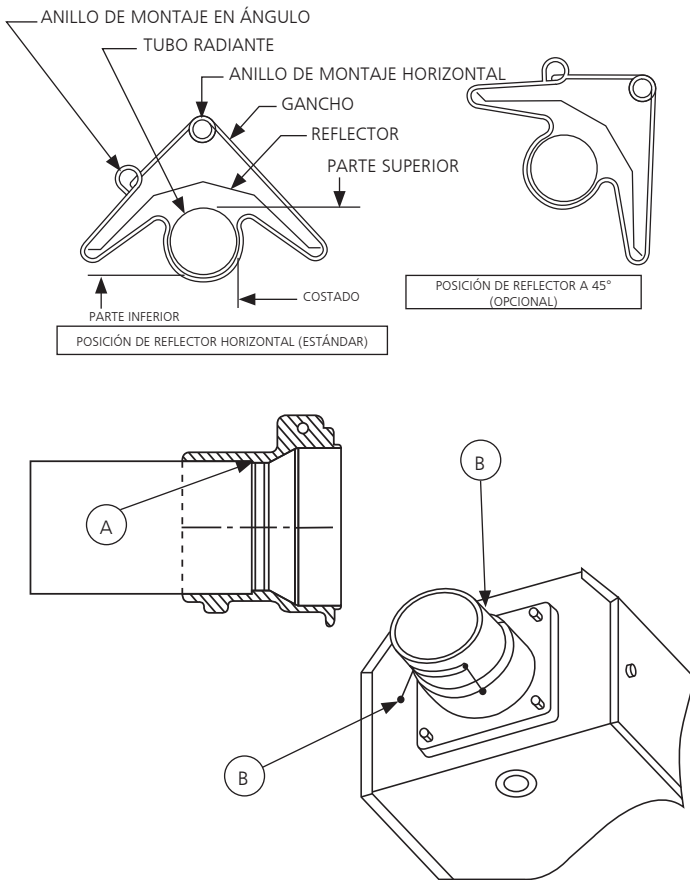
**FIGURA 6: Detalles de suspensión típica**



Juego de cadena - Parte #17370

Un juego de cadena soporta una sección de tubería de 10' y una sección de reflector de 10'.

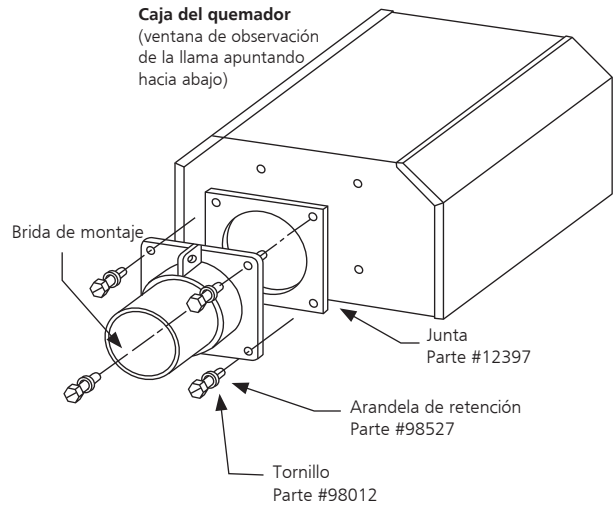
**FIGURA 7A: Gancho para colgar tubos y reflectores**



**FIGURA 7B: Detalle de la brida de montaje/tubo**

- 1) Inserte el tubo 06413 dentro de la pieza de fundición hasta el punto (A).
- 2) Ajuste los tornillos de instalación marcados (B) hasta que quede bien sujetado.
- 3) Cuando los (3) tornillos de instalación estén ajustados, gírelos 1/4 de vuelta adicional para asegurar el tubo en el lugar.

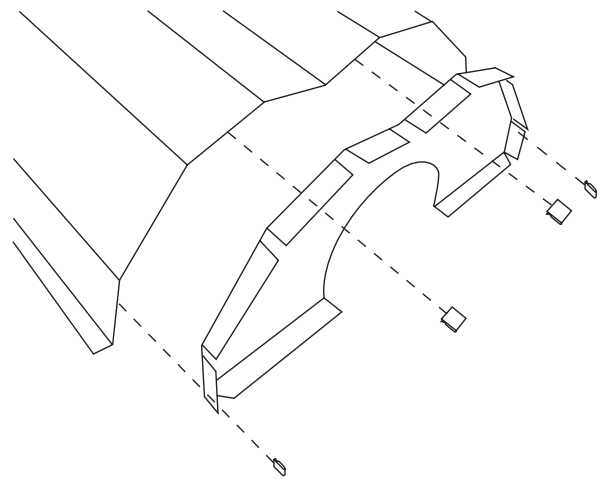
**FIGURA 8: Detalle de la caja del quemador/tubo de transición**



Juego de brida #06428XL

El juego incluye: Brida, tornillos (4), arandelas de retención (4), junta (1)

**FIGURA 9: Tapa del extremo del reflector**



Lista de partes

1	00419	Tapa del extremo del reflector (1)
2	09369	Gancho a resorte (4)



## SECCIÓN 4

### Especificaciones de ingeniería

El diseño del sistema completo de calefacción debe estar certificado por CSA bajo la última versión de ANSI Z83.20 and CSA 2.34.

#### A. Quemador y controles del quemador

1. Los quemadores deben ser capaces de encender con una de las opciones de combustible especificadas en los documentos de compra: Gas natural o PL.
2. Los quemadores deben suministrarse para trabajar a cualquiera de los niveles de entrada especificados.

ERXL-40	40,000 BTU/Hr.	(11.72 kW)
ERXL-60	60,000 BTU/Hr.	(17.58 kW)
ERXL-80	80,000 BTU/Hr.	(23.45 kW)
ERXL-100	100,000 BTU/Hr.	(29.31 kW)
ERXL-125	125,000 BTU/Hr.	(36.63 kW)
ERXL-150	150,000 BTU/Hr.	(43.96 kW)
ERXL-175	175,000 BTU/Hr.	(51.29 kW)

3. Quemador deberá estar equipado con un sistema de sentido directo de carburo de silicio superficie caliente de control de encendido con 100% de dispositivo de encendido de cierre. Potencia suministrada a cada calentador debe ser de 120 V, 60 Hz, monofásica. Quemadores serán clasificados para 1.0 amperios (pista) y 5,0 Amp (inicio).
4. Quemador estará equipado con protección térmica del motor sobrecarga, rotor de aire equilibrada, presostato de seguridad de comprobación de aire de combustión, y la ventana de visualización para la observación de la llama.
5. Cuando se especifica, en ambientes contaminados, el quemador será capaz de suministrar aire exterior para cada quemador para el apoyo de la combustión.
6. Todos los quemadores deberán ser pre-cableado con un cable de conexión a tierra y un enchufe.
7. A elección del cliente, los quemadores se pueden controlar, ya sea con un termostato de tensión de línea opcional o por termostatos de bajo voltaje opcional con un relé de transformador de baja tensión adecuada.
8. El suministro de gas a los quemadores se ajustará a lo siguiente:

2.1 "Tamaño del conector de gas NPT

Natural Gas: 4.5" W.C. MIN, 11.0" W.C. MAX  
(1.12 kPa MIN, 2.74 kPa MAX)

LP Gas: 11" W.C. MIN, 14.0: W.C. MAX  
(2.74 kPa MIN, 3.48 kPa MAX)

#### B. Intercambiador de calor

1. La tubería radiante debe ser de acero aluminizado con un diámetro de 4", en secciones de 10' de largo. Las secciones deben unirse con acoples envolventes de acero inoxidable.
2. El reflector debe ser de aluminio y debe estar diseñado para dirigir todo el calor radiante hacia abajo de la línea central horizontal del tubo radiante.
3. Los calefactores deben ventearse de acuerdo con las recomendaciones del fabricante.

#### Presión en la ENTRADA de gas:

Natural Gas: 3.5" W.C. (0.87 kPa)

LP Gas: 10.5" W.C. (2.61 kPa)

Conector de gas NPT de 1/2"

#### Gas INLET pressure:

Natural Gas: 4.5" W.C. Min (1.12 kPa MIN)

11.0" W.C. Max (2.74 kPa MAX)

LP Gas: 11.0" W.C. Min (2.74 kPa MIN)

14.0" W.C. Max (3.48 kPa MAX)

Conector de gas NPT de 1/2"

#### Alimentación: (Todos los modelos)

120V - 60Hz

1.0 AMP (Run) 5.0 AMP (Start)

#### Dimensiones:

Tamaño de conexión de combustible.....4" (10 cm)

Tamaño de conexión de aire exterior.....4" (10 cm)

## SECCIÓN 5

### Venteeo / conductos

#### Requisitos generales

Este calefactor debe ventearse de acuerdo con las especificaciones incluidas en este manual y con las siguientes normas nacionales y con todas las normas estatales, provinciales o locales que correspondan:

- Consulte el Código nacional del gas combustible NFPA 54/ANSI Z223.1 - última versión.
- CANADÁ: Consulte el Código de instalación de gas natural y propano, CSA B149.1 - última versión.

Se puede ventear el calefactor al exterior de forma vertical u horizontal.

El suministro opcional de aire exterior se puede dirigir hacia el calefactor de forma vertical u horizontal.

Asegúrese de que el método seleccionado para ventear el calefactor cumpla con todas las normas necesarias para cada ubicación en particular. Se recomienda utilizar una tubería de venteeo de pared simple (calibre 26). Se recomienda una sección de tubería de venteeo con pared doble al pasar a través del techo o de la pared.

El extremo de escape del calefactor aceptará un tubo de venteeo de 4" (10 cm) usando el adaptador de venteeo. Instale el adaptador de venteeo con la costura hacia arriba, fije todas las uniones del venteeo con 3 tornillos para metal #8 x 3/8" como mínimo y selle todas las uniones con un sellador de silicona para alta temperatura.

Si la condensación en el conducto representa un problema, debería acortarse su longitud o aislarlo.

El tubo de venteeo debe tener una pendiente hacia abajo (al alejarse del quemador) de 1/4" (0.6 cm) por cada 10' (3 m).

#### LONGITUDES DEL VENTEEEO

- El largo total máximo permitido del venteeo es de treinta (30') pies.
- EL conducto de suministro de aire exterior puede tener hasta un máximo de treinta (30') pies.
- El largo total máximo del venteeo más el conducto de suministro de aire exterior no debe exceder los cincuenta (50') pies.

#### NOTA:

Se permite un máximo de dos (2) codos por combinación de venteeo y suministro de aire exterior. Substraiga 5' del largo máximo permitido por cada codo adicional si se utilizan 3 o más codos.

Instale un tubo recto de 18" (30 cm) como mínimo para antes de cada T o codo en la entrada de aire exterior o el venteeo.

#### Arreglos alternativos/Equipo opcional para ventear instalaciones sin venteeo

- a) Hay que suministrar suficiente ventilación siguiendo la regla de 4 CFM por cada 1.000 BTU/h.
- b) Consulte las normas ANSI Z223.1 - última versión, NFPA-54 y las normas locales por información adicional.
- c) No se recomienda el uso de aire de combustión exterior opcional con calefactores sin venteeo debido a las consideraciones de presión. Consulte la página 16

#### Venteeo horizontal

- a) Se necesita una tubería de cuatro (4") pulgadas de D.E. Se recomienda un largo máximo de treinta (30') pies.
- b) Todas las uniones de la tubería deben sellarse con un producto adecuado como General Electric RTV106 o Permatex Form-A-Gasket Red High Temperature Silicone Adhesive Sealant.

- c) No instale ningún codo o acople de 45° para bajar el venteeo por debajo del sistema horizontal de tuberías.
- d) El terminal de venteeo debe instalarse a una altura suficiente como para evitar que se tape con nieve.
  - 1) El venteeo debe salir del edificio a no menos de siete (7') pies sobre el nivel del suelo al colocarlo junto a la vía pública.
  - 2) El venteeo debe terminar por lo menos a tres (3') pies por encima de toda entrada de aire forzado ubicada dentro de los diez (10') pies.
  - 3) El venteeo debe terminar por lo menos a cuatro (4') pies por debajo, cuatro (4') pies al costado y un (1') pie por encima de cualquier puerta, ventana o entrada por gravedad de cualquier edificio.
  - 4) El terminal de venteeo debe estar ubicado por lo menos a doce (12") pulgadas de cualquier abertura por la que los gases de venteeo podrían entrar al edificio.
  - 5) El terminal de venteeo debe estar por encima de toda cornisa de material combustible

#### Venteeo vertical

- a) Se puede usar una tubería de cuatro (4") pulgadas de D.E. y treinta (30') pies de largo como máximo como se muestra, con una tapa de venteeo aprobada. (Ver los Requisitos generales en esta página por información adicional).
- b) Puede necesitar un guardacabo aislado para pasar a través de estructuras combustibles (consulte las normas locales).
- c) Todas las uniones de la tubería deben sellarse con productos adecuados (ver las recomendaciones para venteeo horizontal).

#### Venteeo común

- a) El recorrido horizontal al venteeo nunca debe exceder el 75% de la altura vertical del venteeo. Consulte las normas ANSI Z223.1 - última versión, NFPA-54 por los tamaños e instalaciones adecuadas de venteeo.
- b) El área abierta de ventilación en común debe ser igual a la suma del área abierta de los venteeos individuales conectados a la misma. (Ver el cuadro de abajo y los diagramas - página 14).
- c) Use venteeos de pared doble cuando sea necesario (consulte las normas).
- d) Todas las uniones deben sellarse con un producto adecuado.
- e) Las conexiones a una tubería en común deben ubicarse de tal forma que evite la oposición directa de corrientes de gases de combustión.

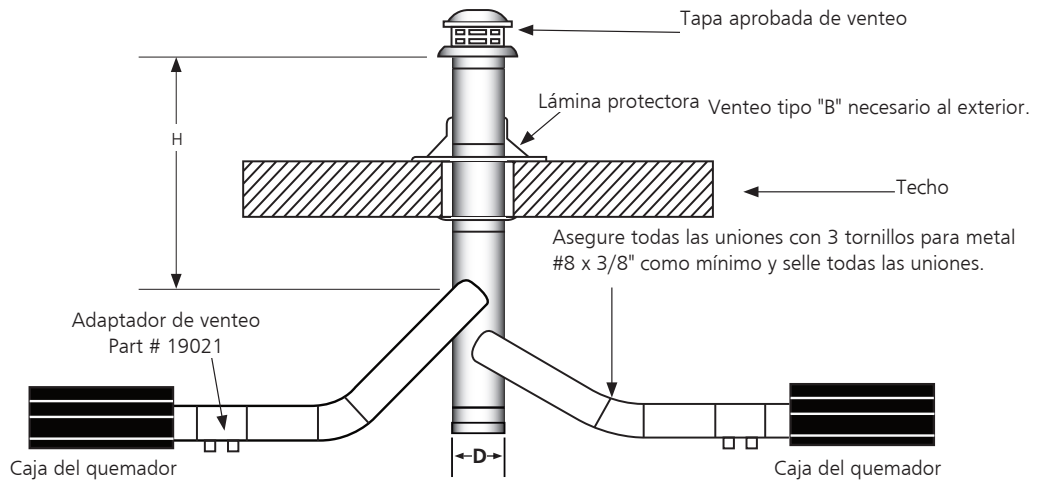
#### VENTEEO COMÚN - (2) Calefactores (horizontal y vertical)

Modelo #	H = 6 ft. (1.82 m)	H = 8 ft. (2.44 m)	H = 15 ft. (4.57 m)
ERXL-40	D = 7" (17.8 cm)	D = 6" (15.25cm)	D = 6" (15.25cm)
ERXL-60	D = 7" (17.8 cm)	D = 6" (15.25cm)	D = 6" (15.25cm)
ERXL-80	D = 8" (20.5 cm)	D = 7" (17.8 cm)	D = 6" (15.25cm)
ERXL-100	D = 8" (20.5 cm)	D = 8" (20.5 cm)	D = 7" (17.8 cm)
ERXL-125	D = 10" (25.4 cm)	D = 10" (25.4 cm)	D = 8" (20.5 cm)
ERXL-150	D = 10" (25.4 cm)	D = 10" (25.4 cm)	D = 8" (20.5 cm)
ERXL-175	D = 10" (25.4 cm)	D = 10" (25.4 cm)	D = 8" (20.5 cm)

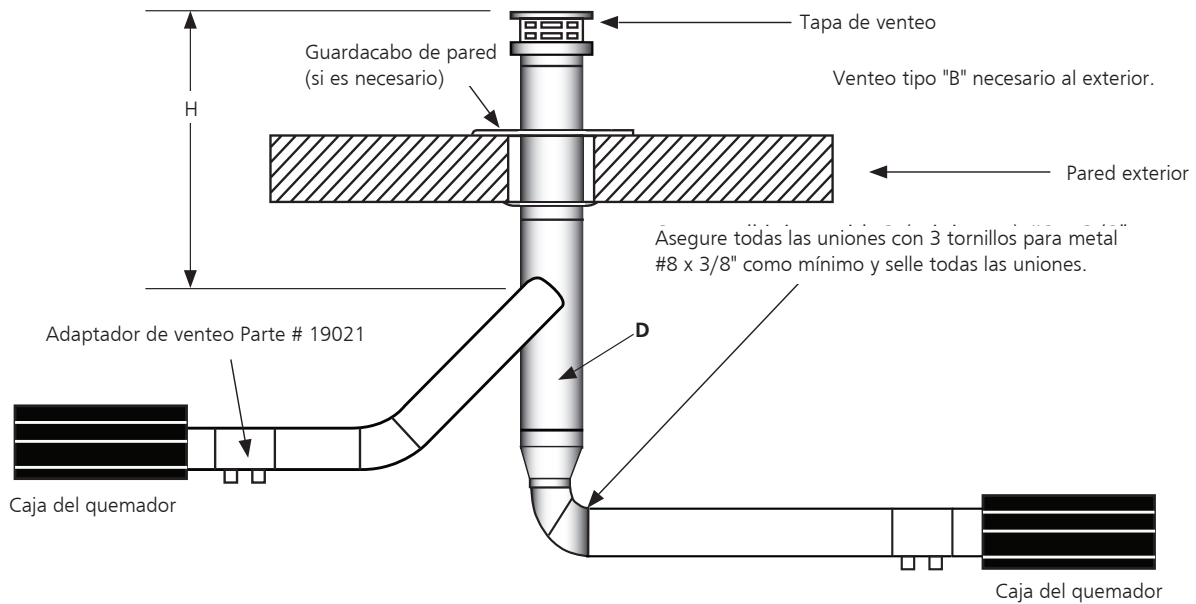
FIGURA 12: Ventilación común de techo

VENTILACIÓN COMÚN VERTICAL

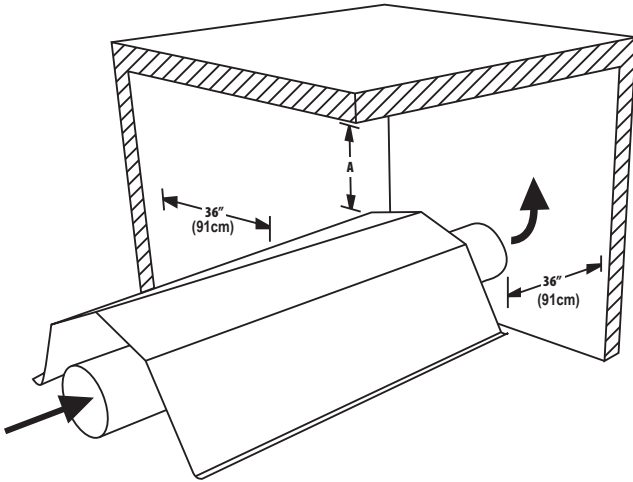
VISTA LATERAL



VENTILACIÓN COMÚN HORIZONTAL



**FIGURE 10: Unvented Operation**

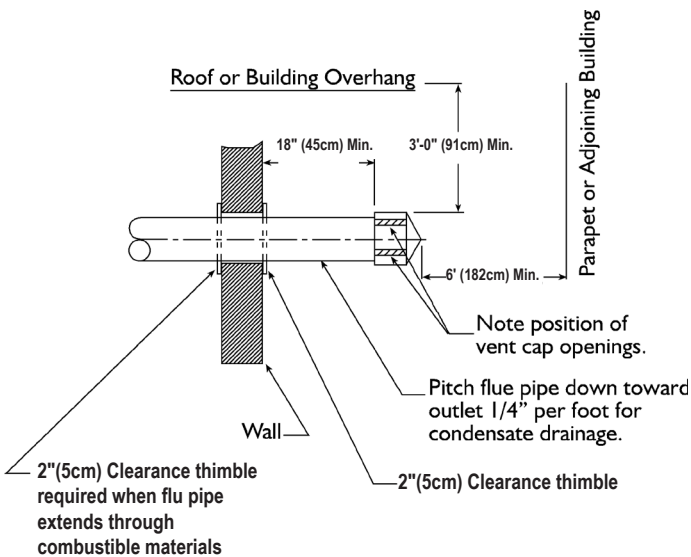


1. Hay que suministrar una ventilación de 4 CFM por cada 1.000 BTU/h en instalaciones de calefactor sin venteo.
2. Para la dimensión A "sin venteo" consulte: Figura 1 - Distancias mínimas a materiales combustibles.

**FIGURA 10A: Pared simple**

Venteo de pared simple

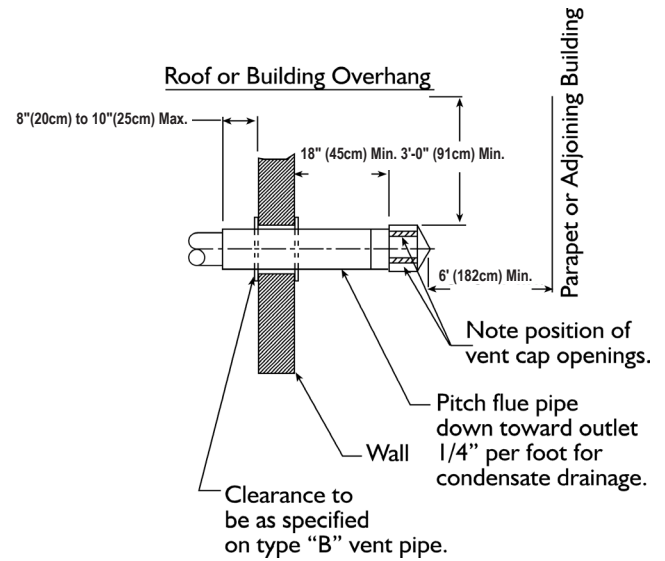
Terminación de extremo para pared simple



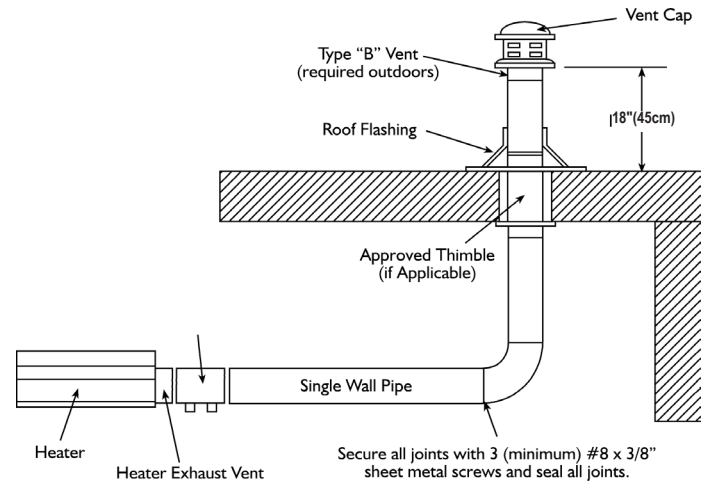
**FIGURA 10b: Pared doble**

Venteo de pared doble

Terminación de extremo para pared doble



**FIGURA 11: Venteo vertical**



## Suministro de aire exterior para combustión

El calefactor Ener-Radiant XL está aprobado para instalarlo con un sistema de suministro de aire exterior. Algunos compuestos como los hidrocarburos halogenados y otros químicos corrosivos del aire pueden ingresar al equipo y causar la corrosión prematura de algunos de los componentes del calefactor. Hay que evitar el uso de dichos compuestos químicos cerca del lugar.

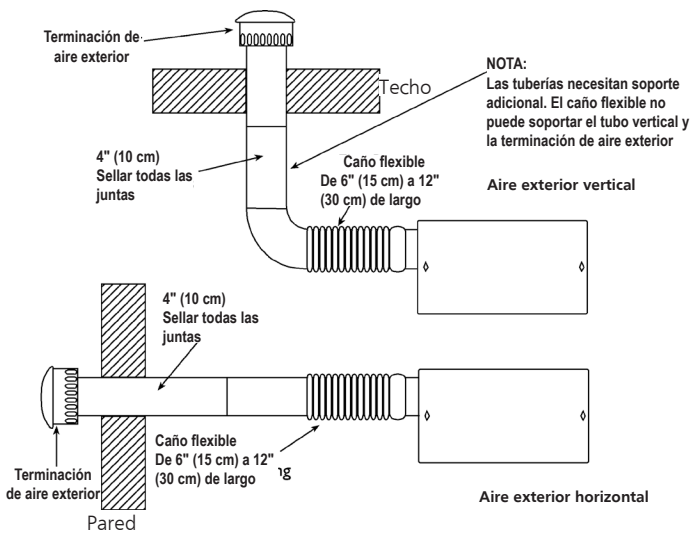
**IMPORTANTE: Si el edificio tiene una presión levemente negativa o existen contaminantes en el aire, le recomendamos seriamente instalar un suministro de aire exterior de combustión para los calefactores.**

Puede colocar una tubería de pared simple de cuatro (4") pulgadas de D.E. para el suministro de aire exterior. El conducto puede tener hasta (30') pies de largo como máximo o dos (2') pies como mínimo con no más de dos (2) codos. (Ver los Requisitos generales en la página 14 por información adicional).

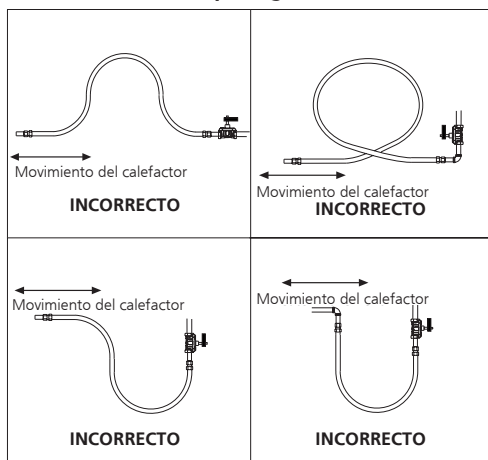
El conducto de aire exterior puede necesitar aislación para evitar la condensación en la superficie exterior. El terminal de aire exterior debe estar firmemente asegurado a la pared exterior haciendo cuatro (4) orificios de 1/4" de diámetro en la brida exterior. Se pueden usar tornillos o pernos para madera y mangas de expansión para sujetar el terminal.

Se puede usar tubería de PVC, una "manguera seca" o equivalente en lugar de la tubería estándar de venteo.

**FIGURA 13: Conducto de suministro de aire exterior no presurizado**



**FIGURA 14A: Conexión incorrecta de línea de gas con conector de acero flexible para gas**



## SECCIÓN 6

### Tubería de gas

Lea las advertencias que correspondan en la página 2 antes de comenzar con la instalación de la tubería de gas. Una instalación inadecuada puede causar daños materiales, lesiones graves o la muerte.

El medidor y la tubería deben ser lo suficientemente grandes como para manejar todos los quemadores que se estén instalando más cualquier otra carga conectada. La línea de gas que alimenta al sistema debe ser lo suficientemente grande como para suministrar el gas necesario con una caída de presión máxima de 1/2" de columna de agua. Cuando no se incluye la tubería de gas en el diagrama de distribución, el proveedor local de gas normalmente ayudará a planificarla.

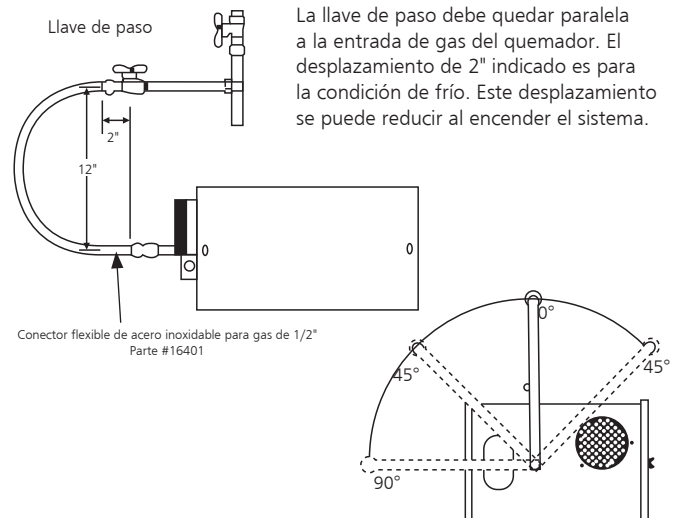
Hay que colocar una derivación de 1/2" en la ubicación de cada quemador, orientada como se muestra en la Figura 14. Para probar la presión del sistema, enchufe una derivación NPT de 1/8" en la línea de gas en la conexión del quemador que esté más lejos de la entrada de suministro. Antes de conectar los quemadores al sistema de suministro, verifique que se hayan completado todas las pruebas de alta presión de la tubería de gas. No realice la prueba de alta presión de la tubería de gas con los quemadores conectados.

Siga estas instrucciones para asegurar una instalación profesional del suministro de gas:

- Sostenga toda la tubería de gas con materiales adecuados para colgar tuberías.
- Use tubería de hierro forjado o acero forjado y acoples de hierro maleable. Todos los acoples deben ser nuevos y no tener defectos. Escariar cuidadosamente los extremos de los caños y tuberías para remover obstrucciones y rebabas.
- Use compuesto resistente al gas PL en todas las roscas de los caños.
- Verifique que ninguno de los extremos de los caños y tuberías tenga fugas antes de poner en marcha el equipo de calefacción. Use una solución de agua y jabón para verificar que no existan fugas de gas: **NUNCA USE UNA LLAMA.**

Instale el conector flexible para gas como se muestra. El conector flexible para gas permite la expansión del sistema de calefacción y facilita la instalación y reparación del quemador.

**FIGURA 14: Conexión de línea de gas con conector de acero flexible para gas**



## SECTION 6

### CABLEADO

Calentadores son normalmente controlados por termostatos. Termostatos tensión Line se conectan directamente (ver Figura 15), termostatos 24V se conectan directamente a través de los terminales de la caja del quemador (ver Figura 16) retirando el cable de puente en la parte posterior de la caja del quemador. Los calentadores deben estar conectados a tierra de conformidad con el Código Eléctrico Nacional ANSI / NFPA-70 o actual Código Eléctrico Canadiense, CSA C22.1. Calentadores también pueden controlarse con un interruptor de voltaje de línea manual o interruptor de tiempo en lugar del termostato.

FIGURA 15: Voltaje de línea termostato Cableado

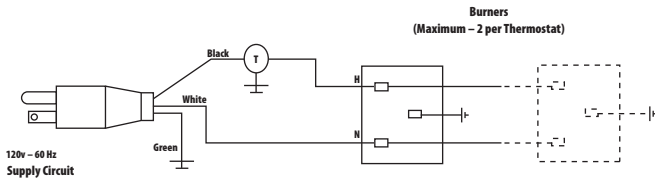


FIGURA16: Baja Tensión termostato Cableado

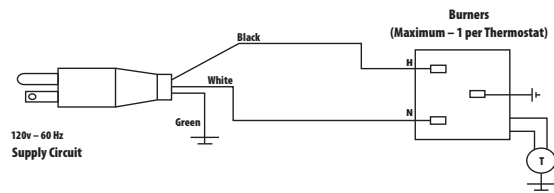


FIGURA 17: Ener-Radiant XL Quemador Cableado

- Si alguno de los cables originales tal como se suministra con el aparato debe ser reemplazado, debe ser reemplazar con material de cableado que tiene un grado de la temperatura de al menos 105 ° C y 600 voltios.
- Cada quemador tiene que estar conectada a tierra de acuerdo con la National Electric Code ANSI/NFPA - 70 or current Canadian Electrical Code, CSA C22.1.

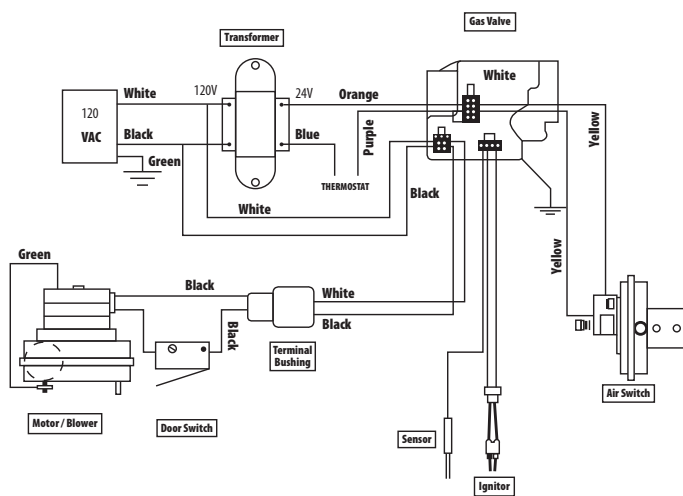
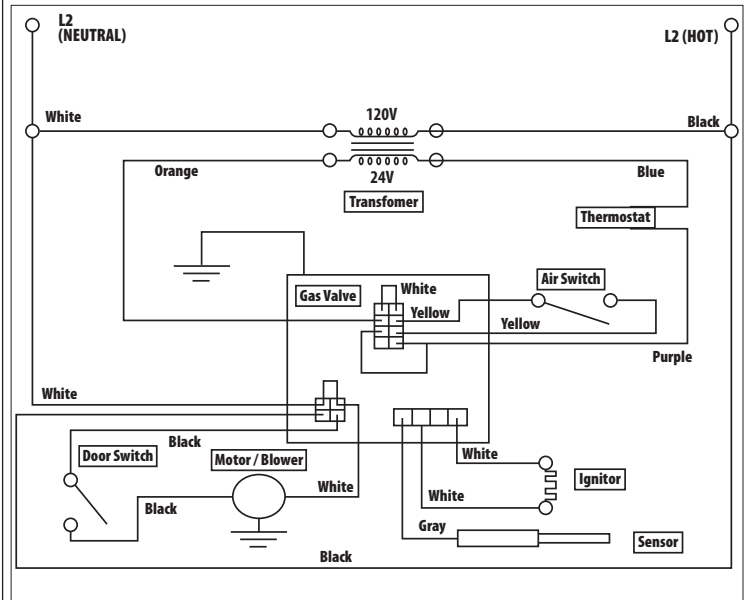


FIGURE 18: Ener-Radiant XL Burner Internal Wiring Ladder Diagram



## SECTION 8

### Operation & Maintenance

#### Sequence of Operation

1. Gire el termostato. Cuando el termostato requiere calor, el motor del ventilador se energizará.
2. Cuando el motor se acerca RPM de funcionamiento nominal, el interruptor de flujo de aire se cierra y activa el módulo de encendido.
3. El módulo de encendido y luego activa el encendedor de superficie caliente durante un período de calentamiento temporizado (aproximadamente 45 a 60 segundos.)
4. Después de que el período de calentamiento, se energiza la válvula de gas.
5. Durante la última parte de la secuencia, el encendedor se desactiva y se convierte en una varilla de llama detección.
6. Si se detecta una llama, la válvula de gas permanece abierta. Cuando la demanda de calor se cumple, y el mecanismo de control del sistema de-energiza el suministro de tensión de la línea del quemador, las válvulas de gas están apagados.
7. Si no se detecta la llama en un módulo de un solo intento, la válvula de gas se cierra, y el módulo se bloquea hasta que se restablece. Restablecer se logra mediante la eliminación de alimentación del módulo de por lo menos cinco (5) segundos (se requiere ciclo del termostato.)
8. Si no se detecta la llama en un módulo de tres ensayos, la válvula de gas se cierra y comienza un periodo de purga. Después de la purga, el módulo actúa para accionar el dispositivo de ignición para un segundo período de calentamiento, y un segundo juicio para el período de encendido. Si todavía no se ha establecido la llama, comienza una tercera y última purga, calentamiento, y el ciclo de ensayo. Después de tres intentos, el módulo se bloquea hasta que se restablezca. Restablecer se logra mediante la eliminación de alimentación del módulo de por lo menos cinco (5) segundos (se requiere ciclo del termostato.)



- En un módulo de tres juicios, si se establece y se perdió en el primer o segundo ensayo de llama, la válvula de gas se apaga, una purga, calentamiento, y prueba de encendido se producirá en un módulo de tres ensayos, solamente Se permiten tres ensayos para el encendido por ciclo del termostato.

### ALTA ALTITUD

Los calentadores pueden dispararse a plena entrada hasta 2000 ft. (610 m) sobre el nivel del mar. Por encima de 2000 pies (610 m) puede ser necesario un kit de conversión de gran altitud para garantizar el funcionamiento adecuado del quemador. Consulte con el fabricante. Esté preparado para responder preguntas de la fábrica con respecto a: tipo de combustible para la conversión propuesta del artefacto, la presión de gas disponible en el sitio y la altitud específica en el sitio. La conversión debe ser llevada a cabo por un representante autorizado del fabricante, de acuerdo con los requisitos del fabricante, las autoridades provinciales o territoriales que tengan jurisdicción y de acuerdo con los requisitos de los códigos de instalación CSA B149.1 o CSA149.2.

### Mantenimiento

Para un mejor rendimiento, los siguientes procedimientos de mantenimiento se deben realizar antes de cada temporada de calefacción:

- Asegúrese de gas y suministro de energía eléctrica al calentador están apagados antes de realizar cualquier servicio o mantenimiento.
- Revisar la condición de desplazamiento del ventilador y el motor. La suciedad y el polvo pueden soplar con aire comprimido o una aspiradora se pueden utilizar. Cuando se utiliza aire comprimido no exceda 30 psi con el fin de no dañar frágiles encendedor incandescente.
- Comprobar el estado del quemador. Retire con cuidado el polvo o los escombros del interior de la caja del quemador o taza quemador.
- Inspeccione el encendedor. Reemplazar encendedor si hay residuos excesivos de carbono, erosión, roturas u otros defectos.
- Revise el interior del tubo de tiro con una linterna. Si el carbono o la escala están presentes, raspar los depósitos con un cepillo de alambre o varilla o placa metálica unida a un poste de madera.
- Compruebe que la ventana de observación quemador está limpia y libre de grietas o agujeros. Limpie o reemplace según sea necesario.
- Compruebe el conducto de humos de hollín o suciedad. Después de la limpieza si es necesario, vuelva a colocar el tubo de escape del calentador.
- superficies exteriores del calentador pueden limpiarse con un paño húmedo.
- Una agencia de servicio cualificado debe ser contactado por el servicio que no sea el mantenimiento de rutina.
- Compruebe el terminal de ventilación y entrada de aire fresco al ver que no han sido bloqueados durante la temporada no se caliente. Si bien la tubería está restringido, el interruptor de aire no se cerrará, lo que resulta en una situación sin salida de calor.

### Solución de problemas

**PRECAUCIÓN:** Antes de abrir la puerta del quemador Ener-Radiante XL para cualquier tipo de servicio, asegúrese de que el suministro de gas se ha apagado en el calentador y el cable eléctrico de la caja del quemador ha sido desconectado.

#### Motor del ventilador No se ejecuta

- ¿Es el termostato pide calor? Está ahí 115V en el receptáculo del quemador?
- Compruebe la puerta del lado del ventilador para el sello. Revise el interruptor de la puerta. Reemplace si es necesario /
- Compruebe soplador de obstrucciones. Reemplace ventilador si es necesario.

#### Encendedor No se ilumina:

- Compruebe si hay daños. Reemplace si necesario:
- Comprobar el voltaje y la resistencia en el encendedor. (El voltaje debe ser de 115V. La resistencia debe ser 40-75 ohmios.)
- Compruebe si hay obstrucciones a la entrada y salida de aire.
- Revise las conexiones de cables y mangueras en el interruptor de aire. Reemplace si es necesario.
- Compruebe tensiones al primario del transformador y secundaria. Reemplazar transformador o módulo si es necesario.

#### Válvula no se enciende

presión de gas aguas abajo del control de gas puede ser medida mediante el uso de un manómetro y la conexión a la toma de presión en el control /

- Compruebe si el calentador válvula manual es ON.
- Compruebe si perilla de la válvula manual de control de gas calentador en ON.
- presión del gas de alimentación se puede comprobar en 1/8 "presión NPT golpecitos en el calentador de la válvula manual externa.
- Compruebe si el control de gas está abriendo: sin presión del colector indica la válvula está cerrada.

Si la válvula está cerrada, ya sea la válvula de gas o el módulo de ignición es defectuoso.

**ADVERTENCIA:** No desconecte los cables de tierra inside heater. Do not interchange grounded and ungrounded leads on transformer or ignition module.

#### Quemador no se enciende

- Compruebe si las líneas de gas fueron adecuadamente Luz: purgado de aire.
- Compruebe la presión de gas de entrada y salida durante el periodo de encendido.

Presión de entrada natural debe ser 4.5" (1.12 kPa)  
 Presión de salida natural debe ser de 3.5 " (0.87 kPa)  
 Presión de entrada LP debe ser 11.0 " (2.74 kPa)  
 Presión de salida LP debe ser 10.25 " (2.61 kPa)

- Compruebe si el orificio adecuado y la placa de aire.

#### Quemador no se Manténgase Lit:

- Comprobar la continuidad de cable a tierra. Manténgase Lit:cableado interno
- Examine el quemador para cables invertidos.
- Comprobar el aislamiento en el encendedor conduce.
- Vuelva a colocar el módulo en caso necesario.



### Válvula de LED de estado:

El calentador de tubo series Ener-Radiante XL está equipada con una válvula inteligente Honeywell. Esta válvula tiene un programa de diagnóstico integrado, que ayudará en la solución de problemas en caso de un problema relacionado con la válvula. El LED o (Light Emitting Diode) se encuentra en la parte superior de la válvula como se muestra en el diagrama a continuación. Las indicaciones de estado LED se enumeran a continuación para ayudar en la solución de problemas.

OFF	INDICADO
Apagado	No hay poder para el control
Bright-Dim	Funcionamiento normal Esta indicación se muestra cada vez que se enciende el sistema, a menos que haya ocurrido algún suceso anormal.
2-Flashes	Airflow restos proporcionar interruptor cerrado más de 30 segundos después de la llamada de calor comienza (interruptor de aire proporcionando pegado cerrado.)
3-Flashes	Airflow interruptor proporcionando permanece abierto más de 30 segundos después de soplador de aire de combustión se activa - o un soplador no se energiza.
4-destellos	Blancos cable puente está suelto.
5-Flashes	Llama señal detectada fuera de secuencia adecuada.
6-Flashes	Sistema de Bloqueo.

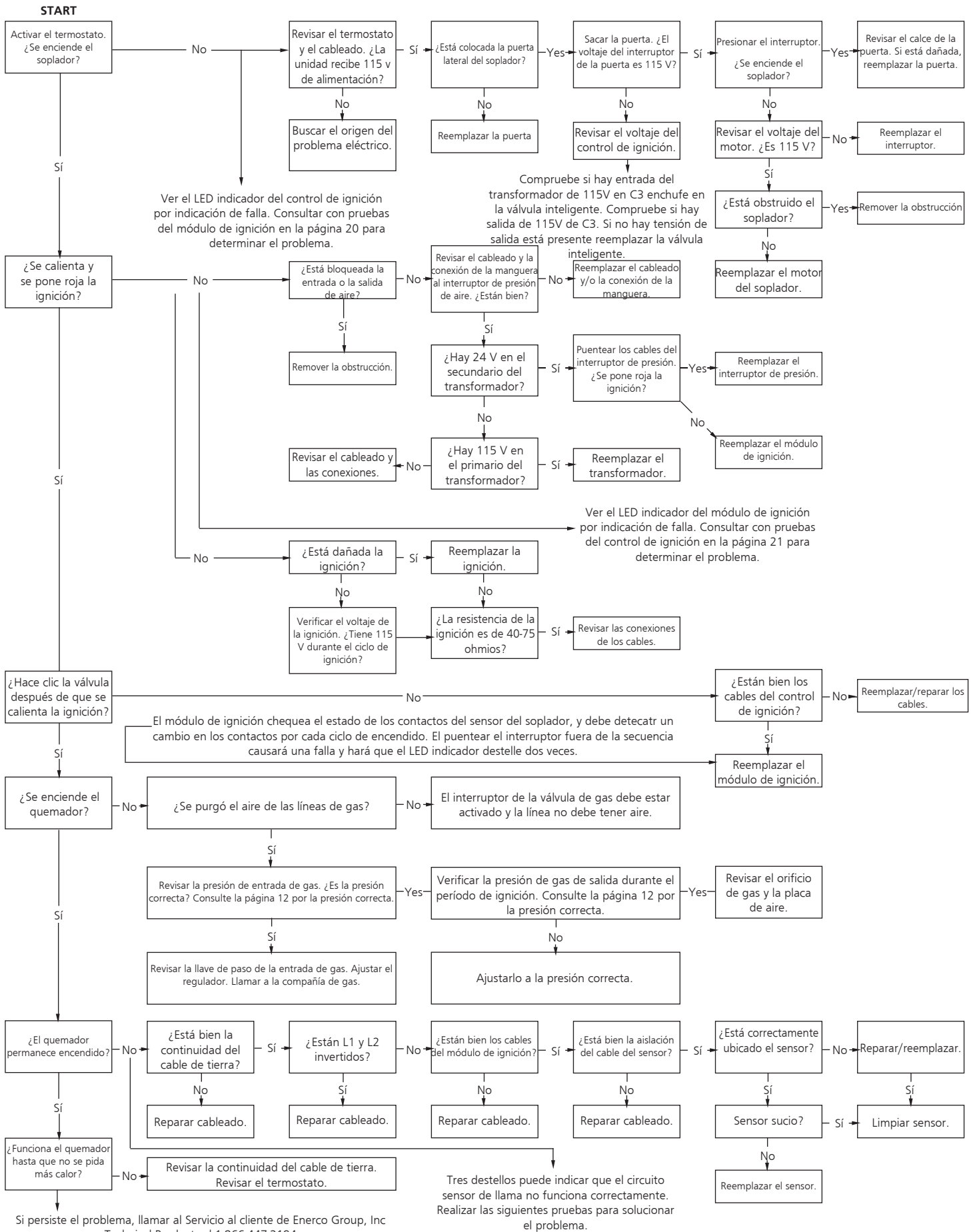
**LED**

**FIGURA 19**

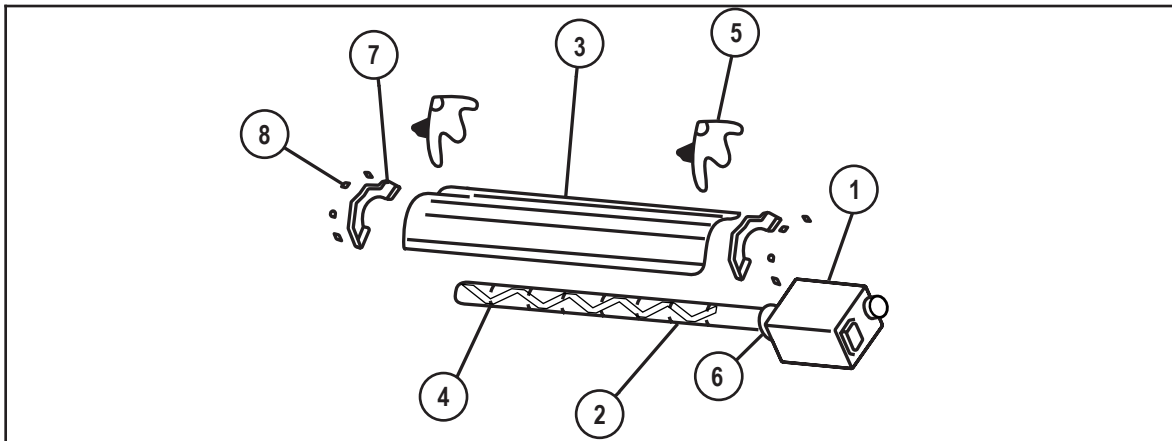


Honeywell Smart Valve

# SECCIÓN 8: Guía de diagnóstico de problemas. Ener-Radiant XL

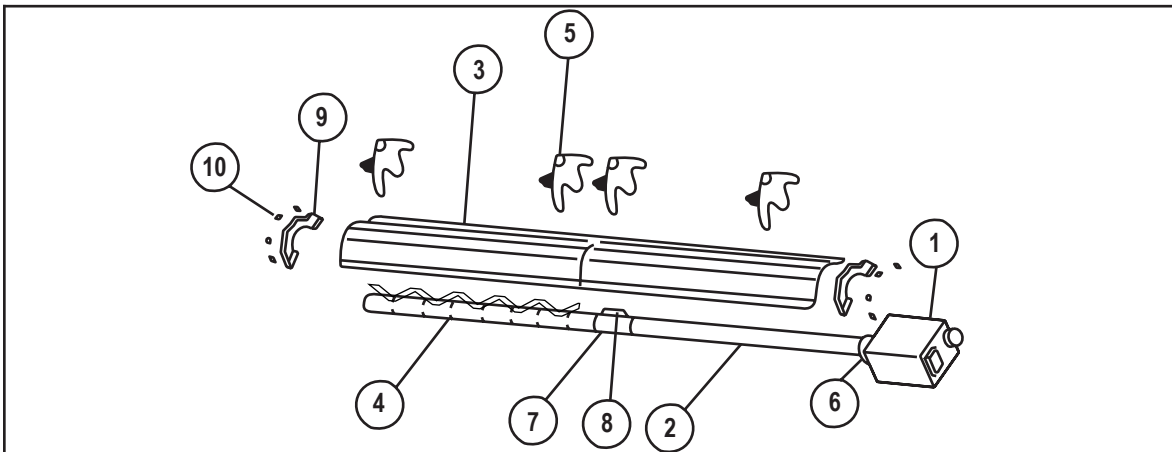


# Parts List for Ener-Radiant XL Tube Heaters



## ERXL-40

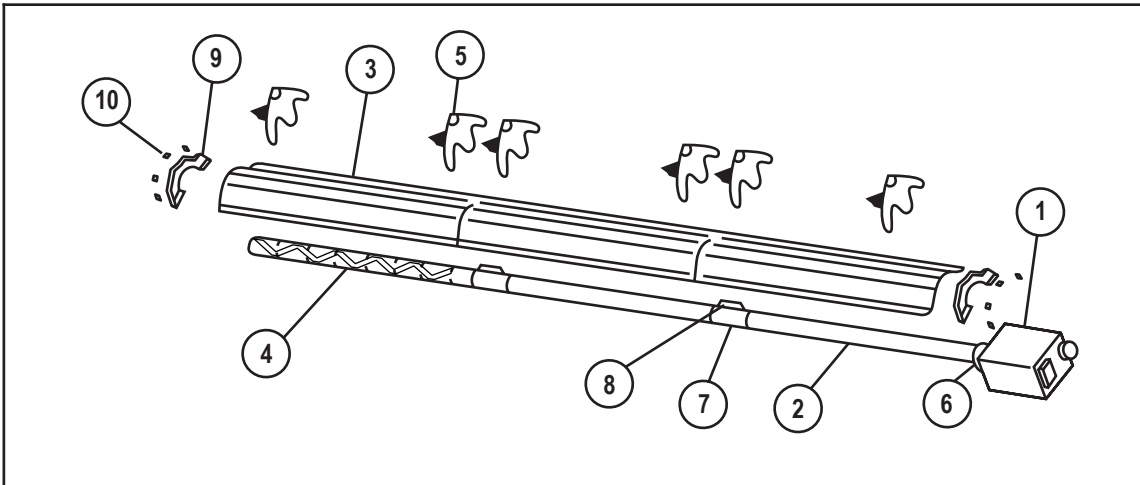
Item	Stock #	Description	QTY	Item	Stock#	Description	QTY
1	F102594XL	ERXL-40 NG / Quemador y caja de control	1	6	02753	Brida delantera	1
1	F102595XL	ERXL-40 LP / Quemador y caja de control	1	7	00419	Tapa del extremo del reflector	2
2	F106408XL	conjunto de tubo - 40'	1	8	09369	Ganchos a resorte	8
	06413	Tubo de I.C. 4" D.E.. X 10'	2				
3	00418A	Reflector	2				
4	03446	Deflector de turbulencias de 9'	1				
5	14585P	Soporte	4				



## ERXL-60

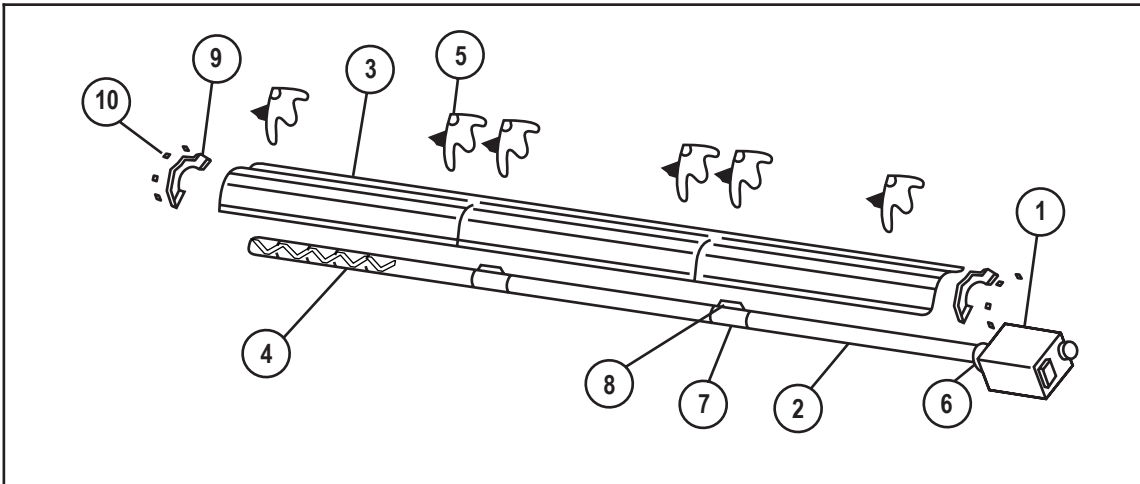
## ERXL-80

Item	Stock #	Description	QTY	Item	Stock#	Description	QTY
1	F102650XL	ERXL-60 NG / Quemador y caja de control	1	1	F102652XL	ERXL-80 LP / Quemador y caja de control	1
	F102651XL	ERXL-60 LP / Quemador y caja de control	1		F102653XL	ERXL-80 NG / Quemador y caja de control	1
2	F106404XL	ERXL-60, / conjunto de tubo 20'	1	2	F106404XL	ERXL-80, / conjunto de tubo - 20'	1
	06413	Tubo de I.C. 4" D.E.. X 10'	2		06413	Tubo de I.C. 4" D.E.. X 10'	2
3	00418A	Reflector	2	3	00418A	Reflector	2
4	03445	Deflector de turbulencias de 10'	1	4	03445	Deflector de turbulencias de 10'	1
5	14585P	Soporte	4	5	14585P	Soporte	4
6	02753	Brida delantera		6	02753	Brida delantera	
7	14612	Acople de tubería	1	7	14612	Acople de tubería	1
8	14616	Encastre para el acople de tubería	1	8	14616	Encastre para el acople de tubería	1
9	00419	Tapa del extremo del reflector	2	9	00419	Tapa del extremo del reflector	2
10	09369	Ganchos a resorte	8	10	09369	Ganchos a resorte	8



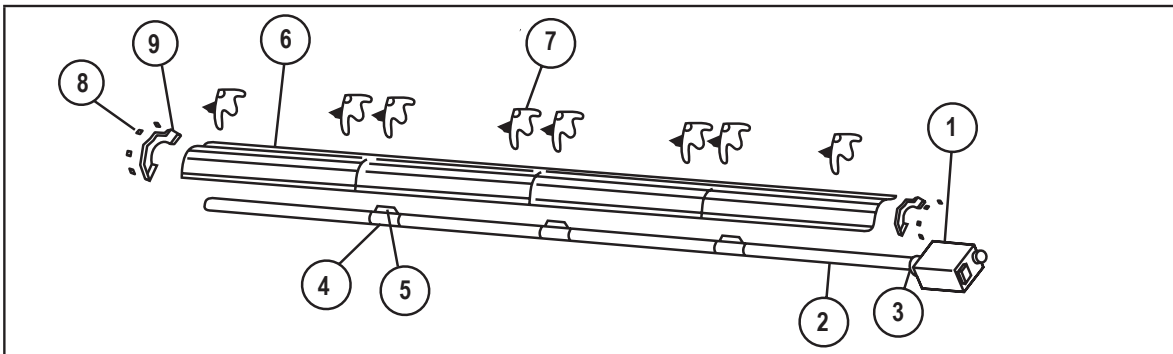
### ERXL-80

Item	Stock #	Description	QTY	Item	Stock#	Description	QTY
1	F102652XL	ERXL-80 NG / Quemador y caja de control	1	6	02753	Brida delantera	1
	F102653XL	ERXL-80 LP / Quemador y caja de control	1	7	14612	Acople de tubería	2
2	F106405XL	ERXL-80, / conjunto de tubo- 30'	1	8	14616	Encastre para el acople de tubería	2
	06413	Tubo de I.C. 4" D.E.. X 10'	3	9	00419	Tapa del extremo del reflector	2
3	00418A	Reflector	3	10	09369	Ganchos a resorte	8
4	03445	Deflector de turbulencias de 10'	1				
5	14585P	Soporte	6				

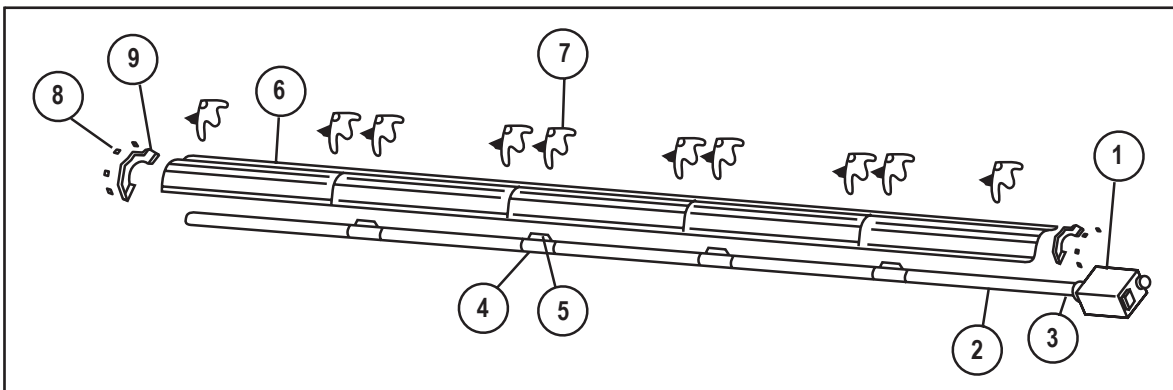


### ERXL-100

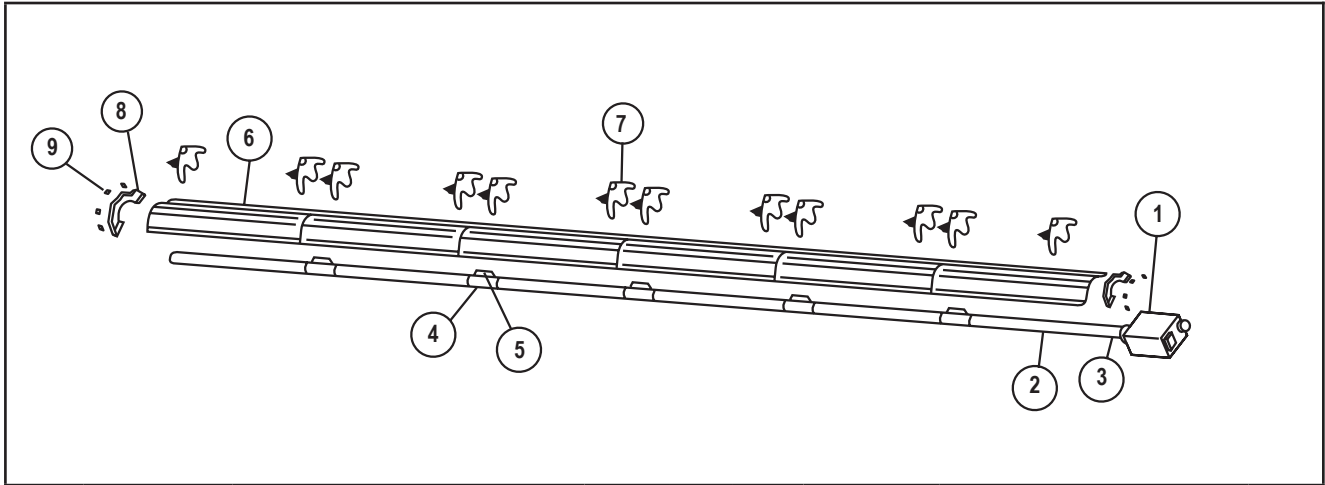
Item	Stock #	Description	QTY	Item	Stock#	Description	QTY
1	F102654XL	ERXL-100 NG / Quemador y caja de control	1	6	02753	Brida delantera	1
	F102655XL	ERXL-100 LP / Quemador y caja de control	1	7	14612	Acople de tubería	2
2	F106401XL	ERXL-100, / conjunto de tubo- 30'	1	8	14616	Encastre para el acople de tubería	2
	06413	Tubo de I.C. 4" D.E.. X 10'	3	9	00419	Tapa del extremo del reflector	2
3	00418A	Reflector	3	10	09369	Ganchos a resorte	8
4	03447	Deflector de turbulencias de 5'	1				
5	14585P	Soporte	4				



ERXL-100				ERXL-125			
Item	Stock #	Description	QTY	Item	Stock#	Description	QTY
1	F102654XL	ERXL-100 NG / Quemador y caja de control	1	1	F102656XL	ERXL-125 NG / Quemador y caja de control	1
	F102655XL	ERXL-100 LP / Quemador y caja de control	1		F102657XL	ERXL-125 LP / Quemador y caja de control	1
2	F106406XL	ERXL-100, / conjunto de tubo-40'	1	2	F106406XL	ERXL-125, / Tube Set- 40'	1
	06413	Tubo de I.C. 4" D.E.. X 10'	4		06413	Tube H.E. 4" O.D. X 10'	4
6	02753	Brida delantera	1	3	02753	Brida delantera	1
4	14612	Acople de tubería	1	4	14612	Acople de tubería	1
5	14616	Encastre para el acople de tubería	1	5	14616	Encastre para el acople de tubería	1
6	00418A	Reflector	4	6	00418A	Reflector	4
7	14585P	Soporte	8	7	14585P	Soporte	8
8	00419	Tapa del extremo del reflector	2	8	00419	Tapa del extremo del reflector	2
9	09369	Ganchos a resorte	8	9	09369	Ganchos a resorte	8



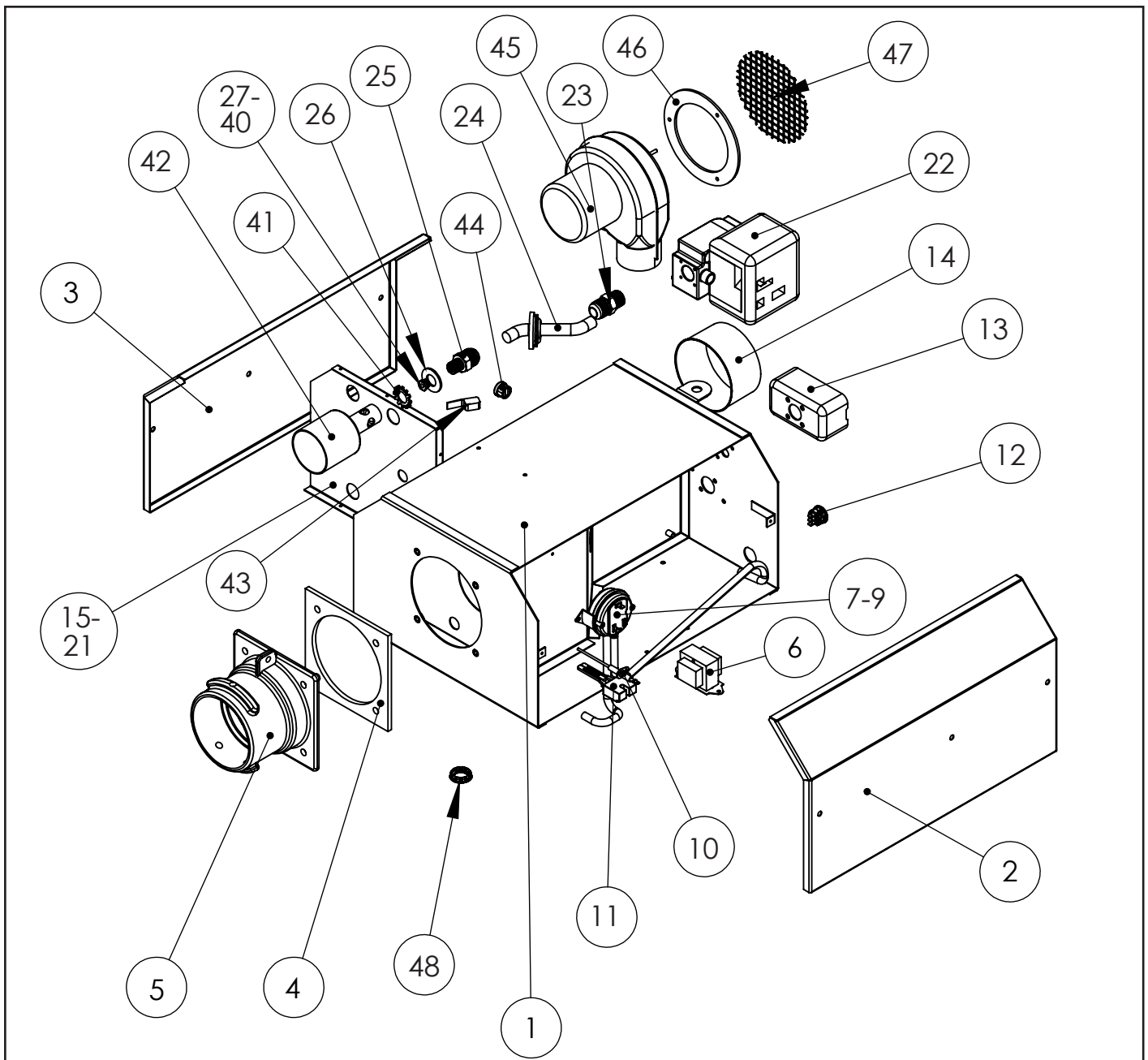
ERXL-125 / ERXL-150 / ERXL-175							
Item	Stock #	Description	QTY	Item	Stock#	Description	QTY
1	F102656XL	ERXL-125 NG / Quemador y caja de control	1	3	02753	Brida delantera	1
1	F102657XL	ERXL-125 LP / Quemador y caja de control	1	4	14612	Acople de tubería	2
1	F102658XL	ERXL-150 NG / Quemador y caja de control	1	5	14616	Encastre para el acople de tubería	2
1	F102659XL	ERXL-150 LP / Quemador y caja de control	1	6	00418A	Reflector	5
1	F102660XL	ERXL-175 NG / Quemador y caja de control	1	7	14585	Soporte	10
1	F102661XL	ERXL-175 LP / Quemador y caja de control	1	8	00419	Tapa del extremo del reflector	2
2	F106407XL	conjunto de tubo- 50'	1	9	09369	Ganchos a resorte	8
	06413	Tubo de I.C. 4" D.E.. X 10'	3				



ERXL-150				ERXL-175			
Item	Stock #	Description	QTY	Item	Stock#	Description	QTY
1	F102658XL	ERXL-150 NG / Quemador y caja de control	1	1	F102660XL	ERXL-175 NG / BRN & Cont Box	1
1	F102659XL	ERXL-150 LP / Quemador y caja de control	1	1	F102661XL	ERXL-175 LP / BRN & Cont Box	1
2	F106403XL	conjunto de tubo- 60'	1	2	F106403XL	Tube Set- 60'	1
	06413	Tubo de I.C. 4" D.E.. X 10'	6		06413	Tube H.E. 4" O.D. X 10'	6
3	02753	Brida delantera	1	3	02753	Brida delantera	1
4	14612	Acople de tubería	5	4	14612	Acople de tubería	5
5	14616	Encastre para el acople de tubería	5	5	14616	Encastre para el acople de tubería	5
6	00418A	Reflector	6	6	00418A	Reflector	6
7	14585P	Soporte	12	7	14585P	Soporte	12
8	00419	Tapa del extremo del reflector	2	8	00419	Tapa del extremo del reflector	2
9	09369	Ganchos a resorte	8	9	09369	Ganchos a resorte	8

## ACCESSORY PARTS LIST

Stock Number	Description	INSTALLATION KITS			
10371.....	Termostato 24 volt	F111751.....	Installation kit for 20' tube heater		
10392.....	Termostato 110Volt	F111752.....	Installation kit for 30' tube heater		
17370.....	Juego de cadena	F111753.....	Installation kit for 40' tube heater		
16401.....	Flexible de acero inoxidable de 24"	F111754.....	Installation kit for 50' tube heater		
16405.....	1/2" x 24" 3/4" Acero inoxidable	F111755.....	Installation kit for 60' tube heater		
F106414.....	Juego de accesorios tubo U de 180	Installation kit includes:			
F106415.....	Juego de accesorios codo de 90	24-volt thermostat, vent cap, 24" stainless steel flexible gas connector, gas shutoff valve, and chain kits required to hang heater.			
19021.....	Vent Adaptador	CONVERSION KITS			
06430.....	Tapa de venteo	<b>ERXL-40</b>			
00438.....	Juego de reflector lateral	<b>ERXL-60</b>	11732	LP TO NG	11733 NG TO LP
01376.....	Juego de deflector (5')	<b>ERXL-80</b>	11734	LP TO NG	11735 NG TO LP
19031.....	Tensor de 5/16"-18"	<b>ERXL-100</b>	11736	LP TO NG	11737 NG TO LP
		<b>ERXL-125</b>	11738	LP TO NG	11739 NG TO LP
		<b>ERXL-150</b>	11740	LP TO NG	11741 NG TO LP
		<b>ERXL175</b>	11730	LP TO NG	11731 NG TO LP



Art.	Parte#	Descripción	CANT.	Art.	Parte#	Descripción	CANT.	Art.	Parte#	Descripción	CANT.
1	02716XL	GABINETE	1	17	05502XL	80K PLACA DE AIRE	1	32	05737	80K ORIFICIO (LP)	1
2	02725XL	CUBIERTA LATERAL DE CONTROL	1	18	05501XL	100K PLACA DE AIRE	1	33	05712	100K ORIFICIO (NG)	1
3	02749XL	CUBIERTA LATERAL DEL MOTOR	1	19	05500XL	125K PLACA DE AIRE	1	34	05733	100K ORIFICIO (LP)	1
4	12397	JUNTA DE LA BRIDA DELANTERA	1	20	05503XL	150K PLACA DE AIRE	1	35	05703	125K ORIFICIO (NG)	1
5	02753	BRIDA DEL TUBO DELANTERO	1	21	05508XL	175K PLACA DE AIRE	1	36	05730	125K ORIFICIO (LP)	1
6	08364A	TRANSFORMADOR	1	22A	00016	HONEYWELL VÁLVULA DE GAS(NG)	1	37	05796	150K ORIFICIO(NG)	1
7	02836	40K INTERRUPTOR DE PRESIÓN	1	22B	00017	HONEYWELL VÁLVULA DE GAS(LP)	1	38	05728	150K ORIFICIO (LP)	1
8	10413A	60-125K INTERRUPTOR DE PRESIÓN	1	23	02758	ACOPLE DE SALIDA DE VÁLVULA DE GAS	1	39	05799	175ORIFICIO (NG)	1
9	10414A	150K-175K INTERRUPTOR DE PRESIÓN	1	24	17379	MÚLTIPLE DE GAS CON ARANDELA	1	40	05725	175K ORIFICIO (LP)	1
10	02730	BARRA DEL SENSOR DE LLAMA	1	25	02720	AISLADOR DE 2 TERMINALES	1	41	98547	ARANDELA DENTADA EXTERNA	1
11	02765	SUPERFICIE CALIENTE DE IGNICIÓN	1	26	98541	ARANDELA PLANA DEL SOPORTE DE ORIFICIO	1	42	02371	TAZA DEL QUEMADOR	1
12	02847	AISLADOR DE 3 TERMINALES DEL TERMOSTATO	1	27	05794	40K ORIFICIO (NG)	1	43	10391A	INTERRUPTOR DE PUERTA	1
13	99101	CAJA DE EMPALMES ELÉCTRICOS	1	28	05749	40K ORIFICIO (LP)	1	44	02721	AISLADOR DE 2 TERMINALES	1
14	02747	BRIDA DE ENTRADA DEL SOPLADOR	1	29	05726	60K ORIFICIO (NG)	1	45	07376	SOPLADOR	1
15	05510XL	40K PLACA DE AIRE	1	30	05744	60K ORIFICIO (LP)	1	46	12395	JUNTA DEL SOPLADOR	1
16	05505XL	60K AIR PLATE	1	31	05718	80K ORIFICIO (NG)	1	47	02718	FILTRO DEL SOPLADOR	1
								48	02795	VENTANA DE OBSERVACIÓN	1





# INSTRUCCIONES DE USO Y MANUAL DEL USUARIO



110V MODELOS

ERXL-40	ERXL-60
ERXL-80	ERXL-100
ERXL-125	ERXL-150
ERXL-175	



## ADVERTENCIA:

USE SOLAMENTE PARTES DE REPUESTO DEL FABRICANTE. EL USO DE CUALQUIER OTRA PARTE PODRÍA CAUSAR HERIDAS O LA MUERTE. LAS PARTES DE REPUESTO ESTÁN DISPONIBLES ÚNICAMENTE EN LA FÁBRICA Y DEBEN SER INSTALADAS POR UNA AGENCIA DE SERVICIO CALIFICADA.

## POR INFORMACIÓN ACERCA DE REPARACIONES O PARTES:

Llame a su técnico local de calefacción o distribuidor.

## POR INFORMACIÓN ADICIONAL:

Llame sin cargo al 866-447-2194 - [www.heatstarbyenerco.com](http://www.heatstarbyenerco.com)

Nuestro horario de trabajo es de 08:00 a.m. AM a 5:00 PM, de lunes a viernes, hora del este.

Tenga a mano su número de modelo, número de serie y fecha de compra.

## GARANTÍA LIMITADA

La compañía garantiza que este producto estará libre de imperfecciones materiales y de fabricación, bajo condiciones de uso normales y adecuadas de acuerdo con las instrucciones de la Heatstar Compañía, por un período de 10 años a partir de la fecha de entrega al comprador.

- Para instalar en un lavadero de coches y en áreas con exposición a productos químicos corrosivos, como el amoníaco, cloro, etc., la garantía se limitará a 2 años en tubos y 1 año en todos los componentes demás.

La Heatstar Compañía, según decida, reparará o reemplazará los productos que el comprador devuelva a la fábrica, con transportación prepagada dentro del mencionado período de un año y que la Compañía determine que presentan imperfecciones materiales o de fabricación.

Si alguna de las partes está dañada o si le falta alguna, llame a nuestro Departamento de asistencia al cliente al 866-447-2194.

Dirija todos los reclamos de garantía al Departamento de asistencia al cliente, Enerco Group, Inc, 4560 W. 160TH ST., CLEVELAND, OHIO 44135. Incluya su nombre, dirección y número telefónico en su comunicación e incluya los detalles relacionados con el reclamo. Además, infórmenos la fecha de la compra y el nombre y dirección del proveedor de quien adquirió nuestro producto.

Lo anterior describe las responsabilidades de la Compañía en toda su extensión. No hay otras garantías, ni explícitas ni implícitas. Específicamente, no hay garantías acerca de la adecuación para un propósito particular y no hay garantías de comerciabilidad. En ningún caso la Compañía será responsable por demoras causadas por imperfecciones, por daños consecuentes, ni por ningún otro cargo de gastos de ninguna naturaleza realizado sin su consentimiento escrito. El costo de reparación o reemplazo será la única compensación por cualquier incumplimiento de la garantía. No hay garantía ni se derivará garantía implícita alguna del proceso de comercialización ni de las prácticas comerciales comunes. Esta garantía no será válida para productos que hayan sido reparados o alterados fuera de la fábrica en cualquier sentido que a nuestro criterio afecte su estado o funcionamiento.

Algunos estados no permiten la exclusión o limitación de daños incidentales ni consecuentes, así que la limitación o exclusión anterior puede no tener validez en su caso. Esta Garantía le otorga derechos legales específicos, y usted puede tener otros derechos que varían de un estado a otro.

Enerco Group, Inc se reserva el derecho de hacer cambios en cualquier momento, sin previo aviso, en los colores, especificaciones, accesorios, materiales y modelos.

Enerco Group, Inc, 4560 W. 160TH ST., CLEVELAND, OHIO 44135 • 866-447-2194  
© 2018, Enerco Group, Inc. Todos los derechos reservados

