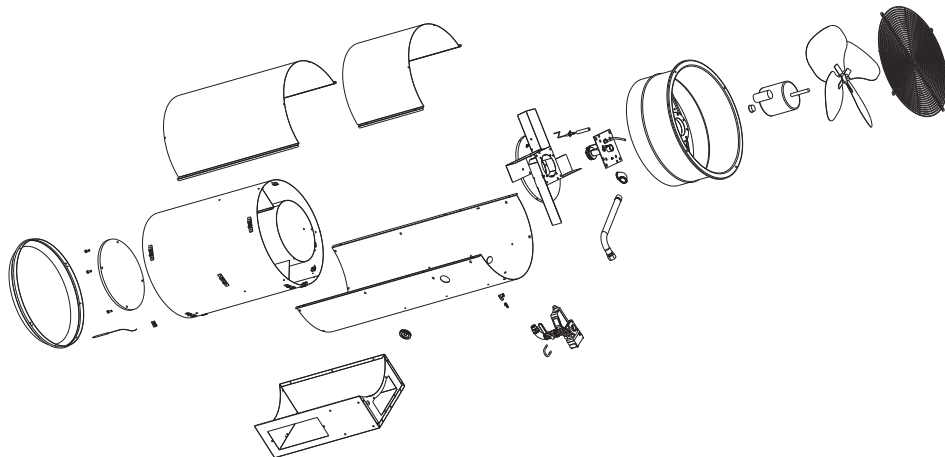




**FORCED AIR
NATURAL GAS/PROPANE**

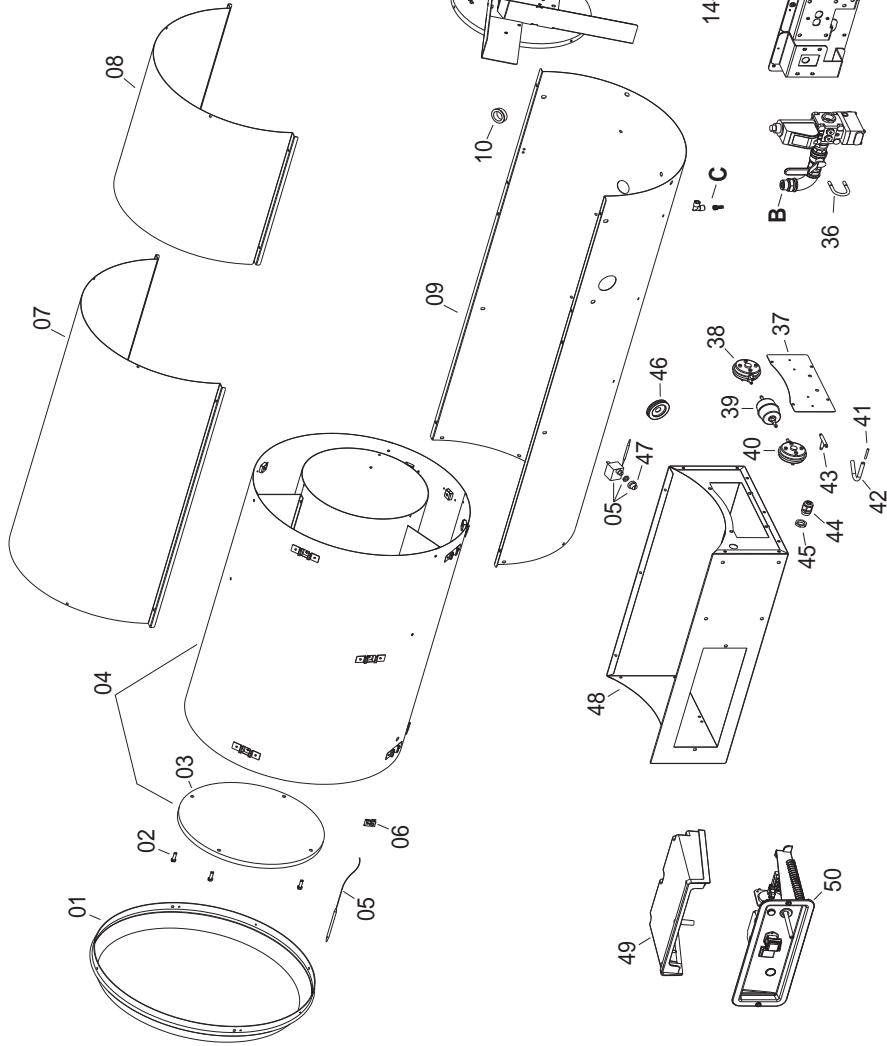
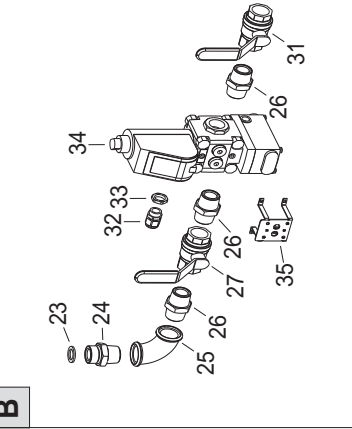
SCHEMATIC



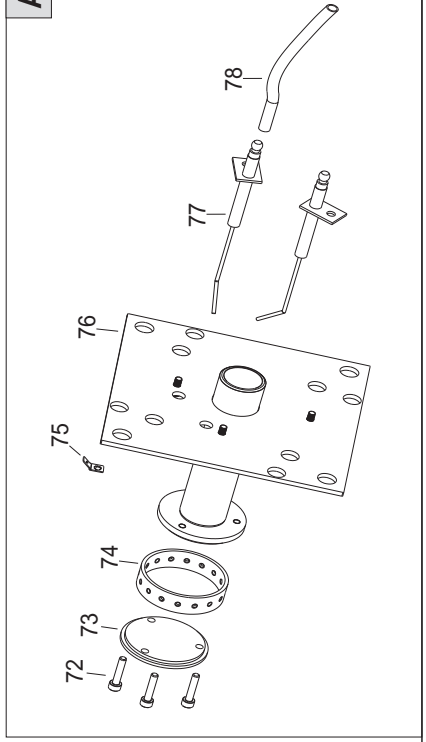
Model HS400,000 (NG/LP)

HS4000NG/LP

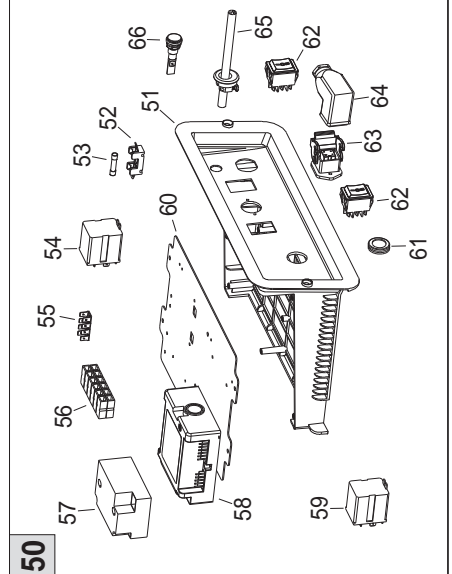
B



A

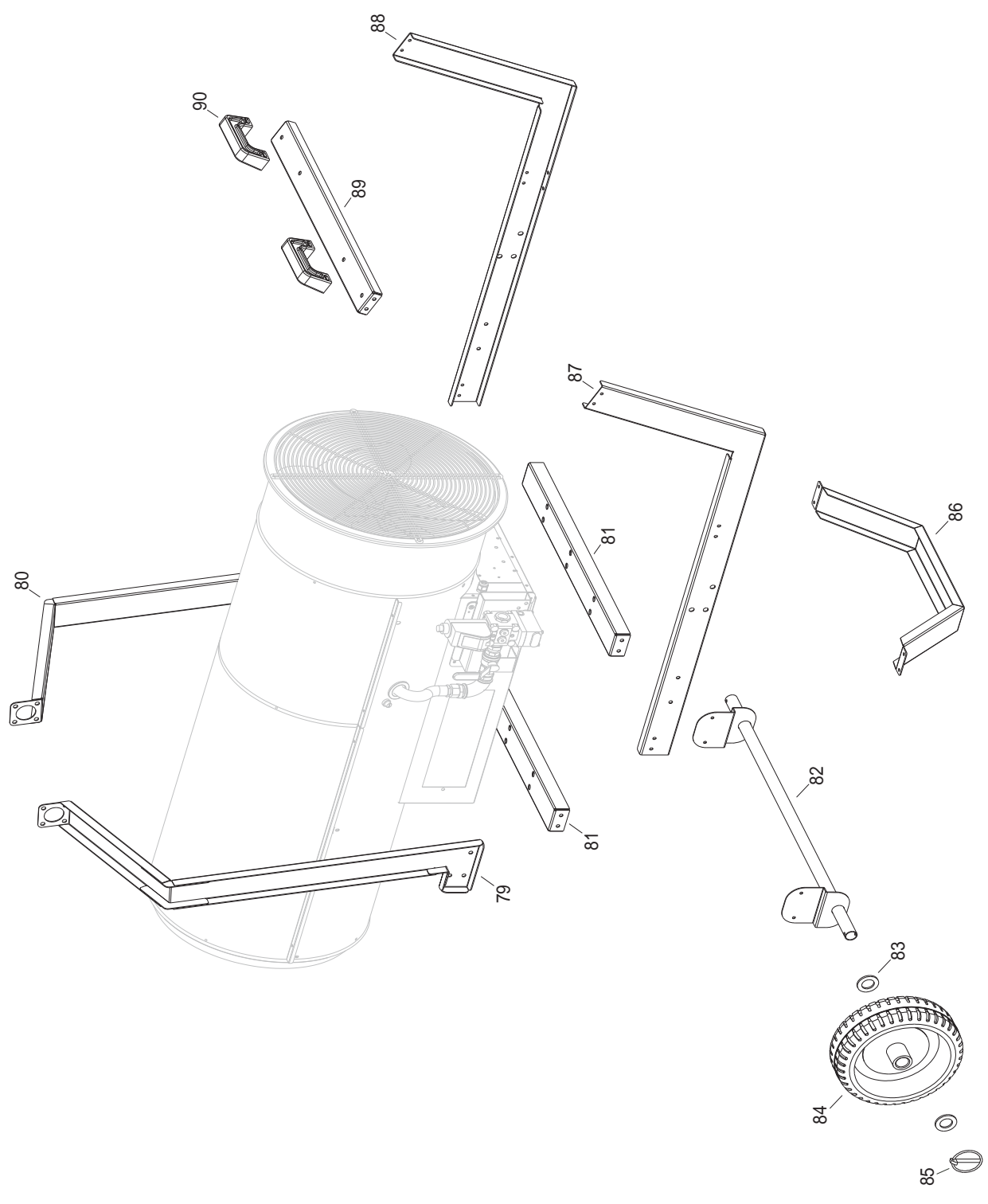


C



50

HS4000NG/LP



HS4000DF NG/LP HD Heater Parts List BM2

NO.	HS#	BM2 #	DESCRIPTION
01	50345	G06139-9005	Outlet cone
02	50346	M10203/1/B	Screw TE M6x10
03	50347	G03114	Flame guard shield
04	50348	G03147	Combustion chamber
05	50349	E50745	Safety thermostat TY95H
06	50515	M20413	Clip holder sensing bulb
07	50351	G03150-9010	Upper body
08	50352	G03152-9010	Cover inspection
09	50353	G03154-9010	Lower body
10	50411	C30372	Protection cable ø35
11	50354	G03126	Combustion chamber deflectors
12	50356	GA:0100206	Electrode ionisation probe
13	50545	I40332	Silicone pipe ø5x9
14	50507	I39106	Anti vibration joint
15	50500	I20326	Connection 3/4"FF
16	50463	G06239-9010	Motor flange
17	50469	C30374	Drain plug
18	50454	E10704-110	Motor 450 W w/ capacitor 80µF
19	50455	E11249	Capacitor 80µF
20	50166	T10261	Fan ø500 23°
21	50050	P30129	Inlet grill
22	50357	G06330-9005	Valve support plate
23	50506	I39102	Seal 3/4"
24	50505	I31205-1	Connection 3/4"MM
25	50500	I20326	Connection 3/4"FF
26	50504	I31204	Connection 3/4"MM
27	50358	T30330-2	Gas selector valve
31	50359	T30333	Manual gas test firing valve
32	50360	E20943	Cable fastener PG9
33	50361	E20932	Nut for PG9
34	50334	T30111	Valve solenoid main
35	50362	G06332-9005	Valve support
36	50516	M20907	Valve support
37	50363	G03157-9010	Support for pressure plate
38	50364	E50443	Pressure switch 330Pa
39	50365	I30414	Oil filter
40	50337	E50441	Pressure switch 200Pa
41	50366	I40336	Silicone pipe ø4x1.5
42	40501	I40501	Silicone pipe ø4x8
43	50367	I20669	Connector straight T ø4
44	50368	E20952	Cable fastener PG11
45	50369	E20955	Nut for PG11

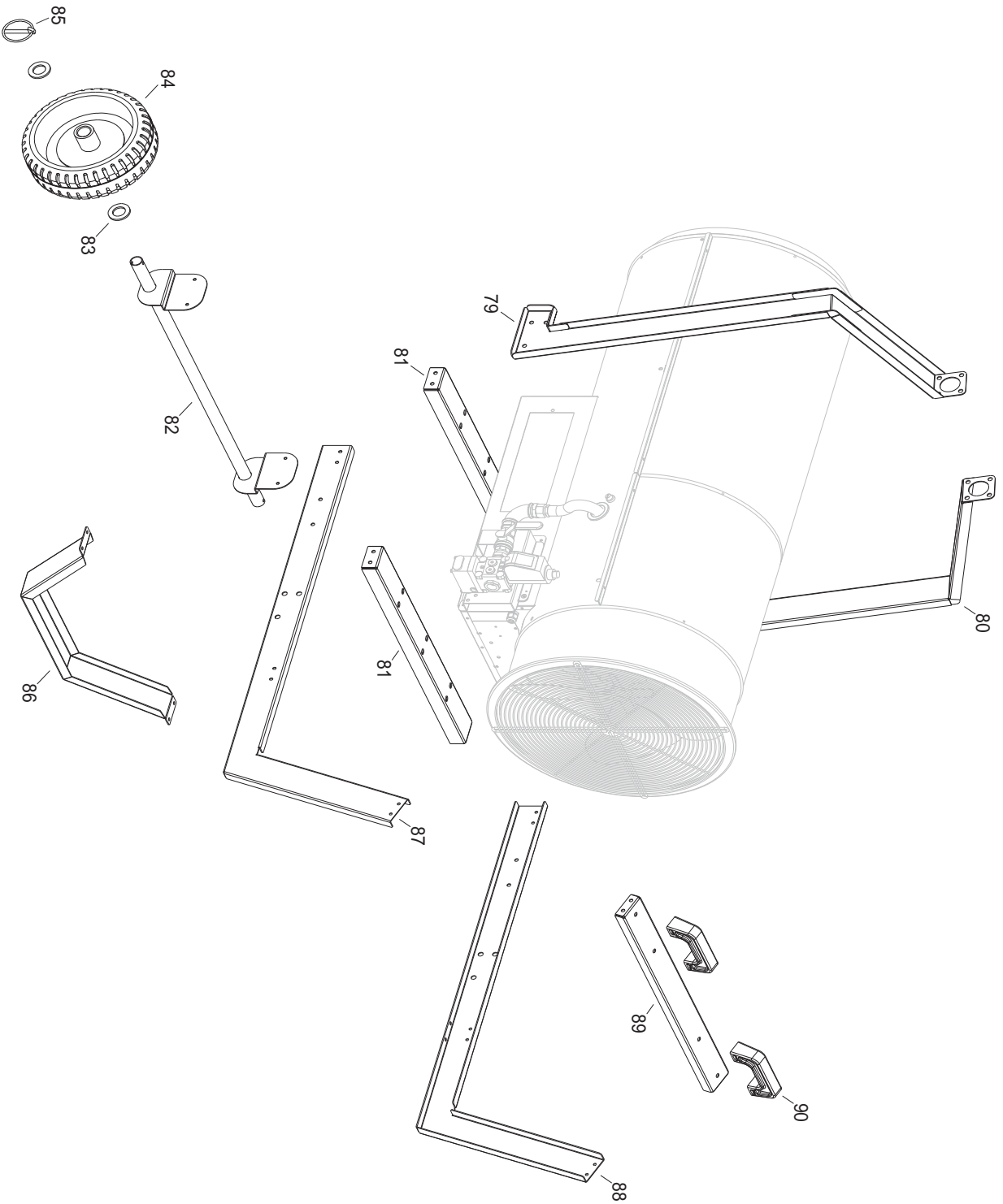
NO.	HS#	BM2 #	DESCRIPTION
46	50470	C30376	Cable protection ø36mm
47	50260	E50750	Safety thermostat plastic profile
48	50370	G03159-9010	Base
49	50077	P50127	Control box cover
50	50371	G00286	Electrical components drawer complete
51	50372	P50132	Electrical components drawer
52	50093	E20508	Fuse holder
53	50092	E10313	Fuse (6x30) 20A
54	50373	E11153	Relay finder 65.31.8.110AC
55	50374	E20319	Terminal board
56	50375	E20305	Terminal board
57	50329	E10931	Transformer H.T. BRAHMA
58	50330	E40229	Control box BRAHMA TGRD 81 120V
59	50097	E11125	Relay finder 65.31AC
60	50376	G06073	Plate for electrical components
61	50325	E20418	Stop button protection
62	50337	E10110-1-P	Switch 0-1
63	50570	E20640	Thermostat plug 3P+T
64	50011	E20665	Drain plug
65	50009	E30443	Electrical wire w/plug and cable fastener
66	50008	E11030	Lamp 120VAC
70	50081	I20325	Connection 1/8"
71	50079	I31130	Connection straight ø6 1/8"
72	50511	M10323/1	Screw TCEI M4x20
73	50378	GA.0010208	Burner plate
74	50379	GA.0100204	Diffusion ring G20/G25-16 holes ø2.6
75	50380	E20679	Terminal board
76	50381	G03129	Burner support
77	50134	E10215	Ignition electrode
78	50417	G02078	H.T. cable connect 90°
79	50382	G03168-9005	Lifting frame
80	50383	G03169-9005	Lifting frame
81	50384	G03170-9005	Body support
82	50385	G03171-9005	Wheel axle ø25
83	40533	M20111	Washer ø26 x ø44 x 4mm
84	50386	C10556	Wheel ø 260-ø 26mm
85	40534	M20505	Wheel locking pin
86	50387	G03172-9005	Support
87	50388	G03173-9005	Right frame
88	50389	G03174-9005	Left frame
89	50390	G03175-9005	Handle
90	40505	C10203	Handle

HS4000DF NG/LP HD Heater Parts List BM2

NO.	HS#	BM2 #	DESCRIPTION
01	50345	G06139-9005	Outlet cone
02	50346	M10203/1/B	Screw TE M6x10
03	50347	G03114	Flame guard shield
04	50348	G03147	Combustion chamber
05	50349	E50745	Safety thermostat TY95H
06	50515	M20413	Clip holder sensing bulb
07	50351	G03150-9010	Upper body
08	50352	G03152-9010	Cover inspection
09	50353	G03154-9010	Lower body
10	50411	C30372	Protection cable ø35
11	50354	G03126	Combustion chamber deflectors
12	50356	GA.0100206	Electrode ionisation probe
13	50545	I40332	Silicone pipe ø5x9
14	50507	I39106	Anti vibration joint
15	50500	I20326	Connection 3/4"FF
16	50463	G06239-9010	Motor flange
17	50469	C30374	Drain plug
18	50454	E10704-110	Motor 450 W w/ capacitor 80µF
19	50455	E11249	Capacitor 80µF
20	50166	T10261	Fan ø500 23°
21	50050	P30129	Inlet grill
22	50357	G06330-9005	Valve support plate
23	50506	I39102	Seal 3/4"
24	50505	I31205-1	Connection 3/4"MM
25	50500	I20326	Connection 3/4"FF
26	50504	I31204	Connection 3/4"MM
27	50358	T30330-2	Gas selector valve
31	50359	T30333	Manual gas test firing valve
32	50360	E20943	Cable fastener PG9
33	50361	E20932	Nut for PG9
34	50334	T30111	Valve solenoid main
35	50362	G06332-9005	Valve support
36	50516	M20907	Valve support
37	50363	G03157-9010	Support for pressure plate
38	50364	E50443	Pressure switch 330Pa
39	50365	I30414	Oil filter
40	50337	E50441	Pressure switch 200Pa
41	50366	I40336	Silicone pipe ø4x1.5
42	40501	I40501	Silicone pipe ø4x8
43	50367	I20669	Connector straight T ø4
44	50368	E20952	Cable fastener PG11
45	50369	E20955	Nut for PG11

NO.	HS#	BM2 #	DESCRIPTION
46	50470	C30376	Cable protection ø36mm
47	50260	E50750	Safety thermostat plastic profile
48	50370	G03159-9010	Base
49	50077	P50127	Control box cover
50	50371	G00286	Electrical components drawer complete
51	50372	P50132	Electrical components drawer
52	50093	E20508	Fuse holder
53	50092	E10313	Fuse (6x30) 20A
54	50373	E11153	Relay finder 65.31.8.110AC
55	50374	E20319	Terminal board
56	50375	E20305	Terminal board
57	50329	E10931	Transformer H.T. BRAHMA
58	50330	E40229	Control box BRAHMA TGRD 81 120V
59	50097	E11125	Relay finder 65.31AC
60	50376	G06073	Plate for electrical components
61	50325	E20418	Stop button protection
62	50337	E10110-1-P	Switch 0-1
63	50570	E20640	Thermostat plug 3P+T
64	50011	E20665	Drain plug
65	50009	E30443	Electrical wire w/plug and cable fastener
66	50008	E11030	Lamp 120VAC
70	50081	I20325	Connection 1/8"
71	50079	I31130	Connection straight ø6 1/8"
72	50511	M10323/1	Screw TCEI M4x20
73	50378	GA.0010208	Burner plate
74	50379	GA.0100204	Diffusion ring G20/G25-16 holes ø2.6
75	50380	E20679	Terminal board
76	50381	G03129	Burner support
77	50134	E10215	Ignition electrode
78	50417	G02078	H.T. cable connect 90°
79	50382	G03168-9005	Lifting frame
80	50383	G03169-9005	Lifting frame
81	50384	G03170-9005	Body support
82	50385	G03171-9005	Wheel axle ø25
83	40533	M20111	Washer ø26 x ø44 x 4mm
84	50386	C10556	Wheel ø 260-ø 26mm
85	40534	M20505	Wheel locking pin
86	50387	G03172-9005	Support
87	50388	G03173-9005	Right frame
88	50389	G03174-9005	Left frame
89	50390	G03175-9005	Handle
90	40505	C10203	Handle

HS4000NG/LP



HS4000NG/LP

