

SUBMITTAL DATA



Series: 4040, 8060, 9100s, 9120 OVERHEAD HIGH INTENSITY RADIANT HEATERS

PROJECT	
ENGINEER	
CONTRACTOR	
DISTRIBUTOR	
HEATSTAR MODEL	
FUEL	<input type="checkbox"/> NATURAL GAS <input type="checkbox"/> LIQUID PROPANE GAS
APPROVED BY	
DATE	
APPROVAL #	

Heatstar by Enerco

4560 West 160th Street
Cleveland, Ohio 44135
USA

Customer and Technical Services

Phone: 866-447-2194

Fax: 800-321-0552

E-mail: technicalservice@us-egi.com

www.heatstarbyenerco.com



Enerco Heat Star High Intensity Infrared Heater Specification

1. Certification

- a. Heaters shall be installed in accordance with local codes as shown per building drawings.
- b. Heaters shall be of the style as manufactured by Enerco Technical Products, Inc., Cleveland, Ohio.
- c. Heaters shall be Design Certified by C.S.A. (Canadian Gas Association) formally A.G.A. Under the American National Standard (ANSI) Z83.19. The supplier shall provide C.S.A. certificate numbers and heaters shall bear the C.S.A. Seal of Certification.
- d. Heaters shall be designed to satisfactory operate at a minimum inlet pressure of inches W.C. to a maximum inlet gas pressure of inches W.C.(SEE TABLE 2)
- e. Heater shall be certified for use with Natural or LP (Propane) gas and name plate on heater will designate type gas.
- f. Heater must be capable of operating in a horizontal, face down position, or at an angle up to 45 degrees.
- g. Heater shall be capable of firing at multiple Btu/hr rates. Burner rates per heater model will be listed on heater name tag.

2. Heaters

- a. Enerco heaters are stationary heaters with one or two gas fired ceramic burners.
- b. Primary burner radiating surface will be fabricated from multiple high efficiency ceramic blocks. Ceramic blocks will be encased in 1/8" thick fiberfrax gasket material. Each ceramic block will be approximately 5.34 in. wide x 3 7/8" cong. X .51 in. thick with .052 dia. ports.
- c. Heaters are un-vented and are not designed for direct connection to a vent.
- d. The burner plenum shall be fabricated from heat and corrosion resistant aluminized steel 18/22 GA.
- e. Baffles and internal diverters shall be fabricated from 24 GA. stainless steel.
- f. Venturi shall be cast iron and drilled and tapped for gas pressure test.
- g. Burner orifice is to be fabricated from alloy brass having a melting point of 1450 degrees F.
- h. Reflector shall be fabricated from 20 GA. aluminized steel.
- i. All models are rated at 24v 60 Hz and ½" NPT inlet gas connection.

3. Controls

- a. Automatic spark Ignition, will be shipped with a 24vac, 40va transformer for use with automatic spark control heaters.
- b. Power Pile, millivolt type control heaters will be shipped with a thermostat.

4. Warranty

- a. The manufacturer shall provide a written warranty of one (1) year on the controls and ten (10) years, Pro-rated, on the burner assembly.

TABLE 1: MODEL CONFIGURATIONS RADIANT HEATERS			HIGH INTENSITY OVERHEAD		
QUANTITY ON THIS PROJECT	STOCK #	MODEL #	OVERALL HEATER LENGTH	BTU/HOUR INPUT 0 TO 2000 FT ABOVE SEA LEVEL	SHIPPING WEIGHT (LBS.)
	F140629	4040 SP(NG) 30,000 BTU orifice included	30 ¼" x 19 ¼" x 12"	40,000	25
	F140626	4040 PP(NG) 30,000 BTU orifice included	30 ¼" x 19 ¼" x 12"	40,000	25
	F140731	4040 SP(LP) 30,000 BTU orifice included	30 ¼" x 19 ¼" x 12"	40,000	25
	F140727	4040 PP(LP) 30,000 BTU orifice included	30 ¼" x 19 ¼" x 12"	40,000	25
	F180629	8060 SP(NG) 50,000 and 70,000 BTU orifices included *70,000 BTU Available on in Natural Gas*	45 ½" x 19 ½" x 12"	60,000	34
	F180626	8060 PP(NG) 50,000 and 70,000 BTU orifices included *70,000 BTU Available on in Natural Gas*	45 ½" x 19 ½" x 12"	60,000	34
	F180731	8060 SP(LP) 50,000 and 70,000 BTU orifices included *70,000 BTU Available on in Natural Gas*	45 ½" x 19 ½" x 12"	60,000	34
	F180727	8060 PP(LP) 50,000 and 70,000 BTU orifices included *70,000 BTU Available on in Natural Gas*	45 ½" x 19 ½" x 12"	60,000	34
	F191830	9100 SP(NG) 80,000 and 90,000 BTU orifices included	60 ½" x 21 ½" x 11"	100,000	49
	F191826	9100S PP(NG) 80,000 and 90,000 BTU orifices included	60 ½" x 21 ½" x 11"	100,000	49
	F191931	9100S SP(LP) 80,000 and 90,000 BTU orifices included	60 ½" x 21 ½" x 11"	100,000	49
	F191927	9100S PP(LP) 80,000 and 90,000 BTU orifices included	60 ½" x 21 ½" x 11"	100,000	49
	F190630	9120 SP(NG) 100,000 and 140,000 BTU orifices included *140,000 BTU Available on in Natural Gas*	82 ½" x 21 ½" x 11"	120,000	61
	F190626	9120 PP(NG) 100,000 and 140,000 BTU orifices included *140,000 BTU Available on in Natural Gas*	82 ½" x 21 ½" x 11"	120,000	61
	F190731	9120 SP(LP) 100,000 and 140,000 BTU orifices included *140,000 BTU Available on in Natural Gas*	82 ½" x 21 ½" x 11"	120,000	61
	F190727	9120 PP(LP) 100,000 and 140,000 BTU orifices included *140,000 BTU Available on in Natural Gas*	82 ½" x 21 ½" x 11"	120,000	61

Additional BTU orifice are shipped with each unit

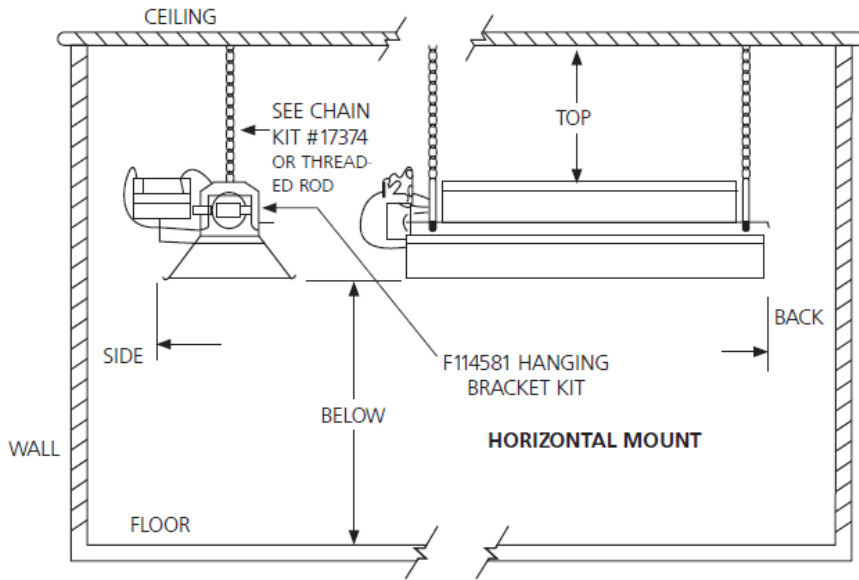
TABLE 2: GAS PRESSURE & ELECTRICAL

MODEL SERIES	LINE MINIMUM	LINE MAXIMUM	MANIFOLD	ELECTRICAL	GAS CONNECTION
4030	6.6" WC NG 11" WC LP	14" WC NG 14" WC LP	5.6" WC NG 10" WC LP	24V, 60 HZ.	½" INLET
4040	6.8" WC NG 11" WC LP	14" WC NG 14" WC LP	5.8" WC NG 10" WC LP	24V, 60 HZ.	½" INLET
8050	7.0" WC NG 11" WC LP	14" WC NG 14" WC LP	4.3" WC NG 10" WC LP	24V, 60 HZ.	½" INLET
8060	7.0" WC NG 11" WC LP	14" WC NG 14" WC LP	5.8" WC NG 10" WC LP	24V, 60 HZ.	½" INLET
8070	7.0" WC NG	14" WC NG	6.0" WC NG	24V, 60 HZ.	½" INLET
9080	7.0" WC NG 11" WC LP	14" WC NG 14" WC LP	5.8" WC NG 10" WC LP	24V, 60 HZ.	½" INLET
9090	7.0" WC NG 11" WC LP	14" WC NG 14" WC LP	5.8" WC NG 10" WC LP	24V, 60 HZ.	½" INLET
9100S	7.0" WC NG 11" WC LP	14" WC NG 14" WC LP	5.0" WC NG 10" WC LP	24V, 60 HZ.	½" INLET
9100	7.0" WC NG 11" WC LP	14" WC NG 14" WC LP	4.3" WC NG 10" WC LP	24V, 60 HZ.	½" INLET
9120	7.0" WC NG 11" WC LP	14" WC NG 14" WC LP	5.8" WC NG 10" WC LP	24V, 60 HZ.	½" INLET
9140	7" WC NG	14" WC NG	5.5" WC NG	24V, 60 HZ.	½" INLET

TABLE 3: APPROVED MINIMUM CLEARANCES TO COMBUSTIBLES

MODEL SERIES	SUSPENDED HORIZONTALLY				SUSPENDED AT AN ANGLE AT 45 DEGREES			
	TOP	SIDE	BACK	BELOW	TOP	SIDE	BACK	BELOW
4030	30"	30"	30"	54"	30"	30"	30"	54"
4040	34"	30"	30"	68"	34"	30"	30"	68"
8050	36"	30"	30"	78"	36"	30"	30"	78"
8060	40"	30"	30"	84"	40"	30"	30"	84"
8070	40"	30"	30"	84"	40"	30"	30"	84"
9080	46"	40"	40"	104"	46"	40"	40"	104"
9090	46"	46"	46"	114"	46"	46"	46"	114"
9100S	48"	46"	46"	118"	48"	46"	46"	118"
9100	44"	40"	40"	104"	44"	40"	40"	104"
9120	46"	46"	46"	114"	46"	46"	46"	114"
9140	46"	46"	46"	114"	46"	46"	46"	114"

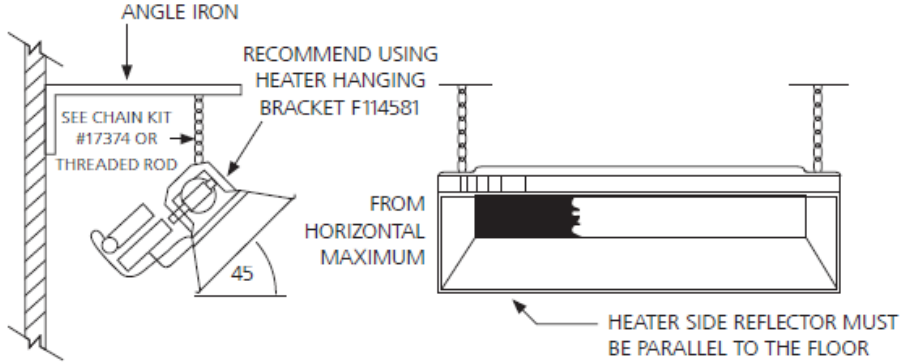
CLEARANCES TO COMBUSTIBLES



SEE INSTALLATION INSTRUCTIONS FOR DETAILED CLEARANCES INFORMATION

MOUNTING

TYPICAL WALL MOUNT



TYPICAL BEAM MOUNT SUGGESTED HANGING METHOD MODEL: 4000, 8000, 9000, MH40

