

NEVER LEAVE THE HEATER UNATTENDED WHILE BURNING!



OPERATING INSTRUCTIONS AND OWNER'S MANUAL

Model #

HS3500DF
HS6000DF

READ INSTRUCTIONS CAREFULLY: Read and follow all instructions. Place instructions in a safe place for future reference. Do not allow anyone who has not read these instructions to assemble, light, adjust or operate the heater.

DIRECT FIRED PORTABLE HEATER



WARNING: If the information in this manual is not followed exactly, a fire or explosion may result causing property damage, personal injury or loss of life.

- Do not store or use gasoline or other flammable vapors and liquids in the vicinity of this or any other appliance.
- Service must be performed by a qualified service agency.

This is an unvented portable heater. It uses air (oxygen) from the area in which it is used. Adequate combustion and ventilation air must be provided.

WARNING:

⚠ YOUR SAFETY IS IMPORTANT TO YOU AND TO OTHERS, SO PLEASE READ THESE INSTRUCTIONS BEFORE YOU OPERATE THIS HEATER.

GENERAL HAZARD WARNING:

⚠ FAILURE TO COMPLY WITH THE PRECAUTIONS AND INSTRUCTIONS PROVIDED WITH THIS HEATER, CAN RESULT IN DEATH, SERIOUS BODILY INJURY AND PROPERTY LOSS OR DAMAGE FROM HAZARDS OF FIRE, EXPLOSION, BURN, ASPHYXIATION, CARBON MONOXIDE POISONING, AND/OR ELECTRICAL SHOCK.

⚠ ONLY PERSONS WHO CAN UNDERSTAND AND FOLLOW THE INSTRUCTIONS SHOULD USE OR SERVICE THIS HEATER.

⚠ IF YOU NEED ASSISTANCE OR HEATER INFORMATION SUCH AS AN INSTRUCTIONS MANUAL, LABELS, ETC. CONTACT THE MANUFACTURER.

WARNING:

⚠ NOT FOR HOME OR RECREATIONAL VEHICLE USE

⚠ WARNING: FIRE, BURN, INHALATION, AND EXPLOSION HAZARD. KEEP SOLID COMBUSTIBLES, SUCH AS BUILDING MATERIALS, PAPER OR CARDBOARD, A SAFE DISTANCE AWAY FROM THE HEATER AS RECOMMENDED BY THE INSTRUCTIONS NEVER USE THE HEATER IN SPACES WHICH DO OR MAY CONTAIN VOLATILE OR AIRBORNE COMBUSTIBLES, OR PRODUCTS SUCH AS GASOLINE, SOLVENTS, PAINT THINNER, DUST PARTICLES OR UNKNOWN CHEMICALS.

⚠ WARNING: This product can expose you to chemicals including lead and lead compounds, which are known to the State of California to cause cancer and birth defects or other reproductive harm. Wash your hands after handling this product. For more information visit www.P65Warnings.ca.gov.

⚠ WARNING: Fuels used in liquefied propane gas appliances, and the products of combustion of such fuel, can expose you to chemicals including benzene, which is known to the State of California to cause cancer and cause birth defects or other reproductive harm. For more information visit www.P65Warnings.ca.gov.

WARNING:

READ THE INSTRUCTIONS GIVEN IN THIS MANUAL BEFORE USING THE APPLIANCE.

- DO NOT USE GASOLINE, NAPHTHA OR VOLATILE FUELS.
- THE ELECTRICAL SYSTEM TO WHICH THE APPLIANCE IS CONNECTED MUST COMPLY WITH ALL SAFETY REGULATIONS IN FORCE. A RESIDUAL CURRENT CIRCUIT BREAKER MUST BE PROVIDED ON THE MAIN DISTRIBUTION BOARD.
- UNPLUG THE HEATER BEFORE ATTEMPTING ANY SERVICE OR MAINTENANCE.
- ALWAYS CHECK THE POWER SUPPLY CABLE BEFORE USE. IT MUST NOT BE BENT, CRUSHED, OR ANYWAY DAMAGED.
- THE POWER SUPPLY CABLE MUST BE REPLACED ONLY BY QUALIFIED PERSONNEL.
- ONLY USE AN ORIGINAL H07RN-F POWER CABLE WITH WATERPROOF PLUG.
- DO NOT TOUCH THE EXHAUST GAS OUTLET. DANGER OF BURNS!

CONTENTS

WARNINGS..... 2

SPECIFICATIONS..... 3

OPERATION 4

SAFETY DEVICES..... 4

MAINTENANCE..... 5

TROUBLESHOOTING 6

WIRING DIAGRAMS..... 7

PARTS LIST..... 8

IMPORTANT

Before using the heater, read and understand all instructions and follow them carefully. The manufacturer is not responsible for damages to goods or persons due to improper use of units.

GENERAL RECOMMENDATIONS

The direct-fired heater runs on diesel fuel. This direct combustion heater exhausts hot air and the combustion products into the room, while those with indirect combustion are fitted with a flue to take the fumes away through the chimney.

Always follow local ordinances and codes when using this heater:

- Read and follow this owner’s manual before using the heater.
- Use only in places free of flammable vapors or high dust content.
- Never use heater in immediate proximity of flammable materials (the minimum distance must be 6 ft.).
- Make sure fire fighting equipment is readily available.
- Make sure sufficient fresh outside air is provided according to the heater requirements. Direct combustion heaters should only be used in well vented areas in order to avoid carbon monoxide poisoning.

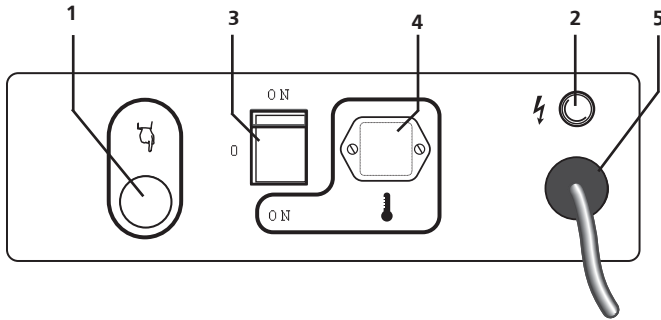
- Never block air inlet (rear) or air outlet (front).
- In case of very low temperatures add kerosene to the heating oil.
- Make sure heater is always under surveillance and keep children and animals away from it;
- Before starting the heater always check free rotation of ventilator fan.
- Unplug heater when not in use.

TECHNICAL SPECIFICATIONS		HS 3500DF	HS 6000DF	
Heat input	[kBTU/h]	400	610	
Air flow	[cfm]	1,795	2,800	
Fuel Type		Diesel/Kerosene/#1-2 Fuel Oil		
Heat output	[kBTU/h]	360	610	
Fuel consumption	[gal/h]	2.6	4.46	
	[lb/h]	18.56	30.84	
Power supply	Phase	1	1	
	Voltage	[V]	120	120
	Frequency	[Hz]	60	60
Electric consumption	[W]	632	1,240	
	[A]	6.00	11.10	
Nozzle	[USgal/h]	2.00-30 S	3.00-80 S	
Pump pressure	[psi]	174	217	
Adjustment of combustion air flap	[in]	a=0.59	a=1.00	
Tank capacity	[gal]	27.7	35.7	
Dimensions, L x W x H	[in]	56.4 x 26.4 x 35.6	68.5 x 28.8 x 44	
Net Weight	[lb]	153	243	

OPERATION

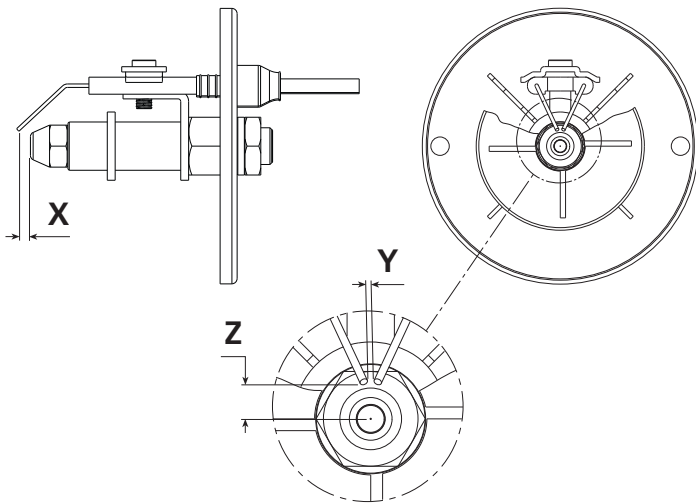
Before any attempt of starting the heater is made, check that your electrical supply conforms to the data on the model plate.

Control Board



- 1 RESET BUTTON WITH CONTROL LAMP
- 2 CONTROL LAMP
- 3 MAIN SWITCH
- 4 ROOM THERMOSTAT PLUG
- 5 POWER CORD

Gap of Electrodes



Models	X	Y	Z
3500 DF	0.157 in	0.098 in	0.157 in
6000 DF	0.157 in	0.098 in	0.157 in

Clearances

The following minimum safety clearances from materials or objects in the surroundings of the heater must be ensured:

Sides	2.5 ft.	Air Inlet	2.5 ft.
Top	6 ft.	Air outlet	12 ft.

- Floors and ceilings must be made of fireproof materials in the room where the heater is operated.
- The air inlet and outlet must never be blocked for any

reason.

- Install the heater on a flat, level floor in a steady position.
- It is forbidden to connect direct-fired heaters to air ducts.

⚠ WARNING

- DO NOT USE GASOLINE, NAPHTHA OR VOLATILE FUELS.
- STOP HEATER BEFORE ADDING FUELS.
- ALWAYS FILL OUTDOORS AWAY FROM OPEN FLAME
- DO NOT USE EXTERNAL FUEL SOURCE.
- DO NOT OPERATE HEATER WHERE FLAMMABLE LIQUIDS OR VAPORS MAY BE PRESENT.
- DO NOT START HEATER WHEN CHAMBER IS HOT
- DO NOT START HEATER WHEN EXCESS FUEL HAS ACCUMULATED IN THE CHAMBER.
- DO NOT PLACE COOKING UTENSILS ON TOP OF THE HEATER.
- PLUG ELECTRICAL CORD INTO A PROPERLY GROUNDED THREE-PRONG RECEPTACLE.

The generator can only work automatically when a control device, such as for example a thermostat or a timer, is connected to the generator. Connection to the generator is made by removing the socket cover(4) and inserting the thermostat plug.

To start the machine you must:

- If connected to the thermostat, turn the switch to (ON + 🔥);
- If not connected to the thermostat, turn the switch to (ON).

When unit is started for the first time or is started after the oil tank has been totally emptied, the flow of oil to the burner may be impaired by air in the circuit. In this case the control box will cut out the heater and it might be necessary to renew the starting procedure once or twice by depressing the reset button (1).

Should the heater not start, check that oil tank is full and depress reset button (1).

Should the heater still not work, please refer to chapter "OBSERVED FAULTS, CAUSES AND REMEDIES".

STOPPING THE HEATER

Set main switch (3) on "0" position or turn thermostat or other control device on lowest setting.

The flame goes out and the fan continues to work for approx. 90sec. cooling the combustion chamber.

SAFETY DEVICES

The unit is fitted with an electronic flame control box. In case of malfunction this box will cut in and stop the heater, at the same time the pilot lamp in the control box reset button (1) will light up.

Heaters are also equipped with an overheat thermostat safety cutout which will stop the heater in case of overheating. This thermostat will reset automatically but you will have to depress button (1) on control box before being able to restart the heater.

TRANSPORT

⚠ WARNING

- Before making any attempt to restart heater find and eliminate reason of overheating.

Before heater is moved it must be stopped and unplugged. Before moving the heater wait till it has totally cooled off and make sure oil tank cap is securely fixed.

The hot air generators with wheels must be wheeled. The suspended version which has no wheels must be transported with adequate machinery.

MAINTENANCE

Preventive and regular maintenance will ensure a long trouble free life to your heater.

⚠ WARNING

- Never service heater while it is plugged in, operating or hot. Severe burns or electrical shock can occur.

Every 50 hours of operation: disassemble filter and wash with clean oil, remove upper body parts and clean inside and ventilator with compressed air, check correct attachment of H.V. connectors to the electrodes and check H.V. cables, remove burner assembly, clean and check electrode settings, adjust according to scheme "GAP OF ELECTRODES".

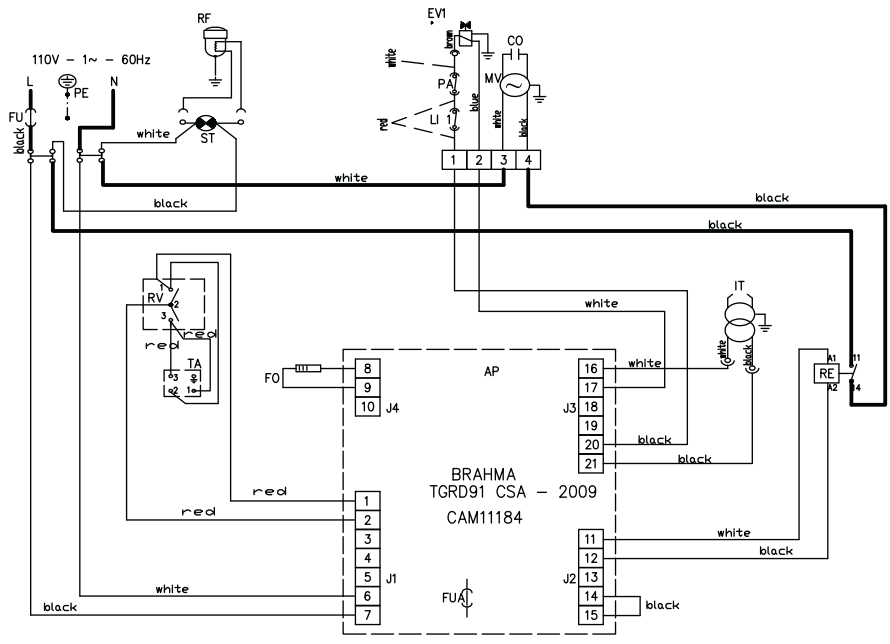
COLUMN INTENTIONALLY LEFT BLANK

TROUBLESHOOTING

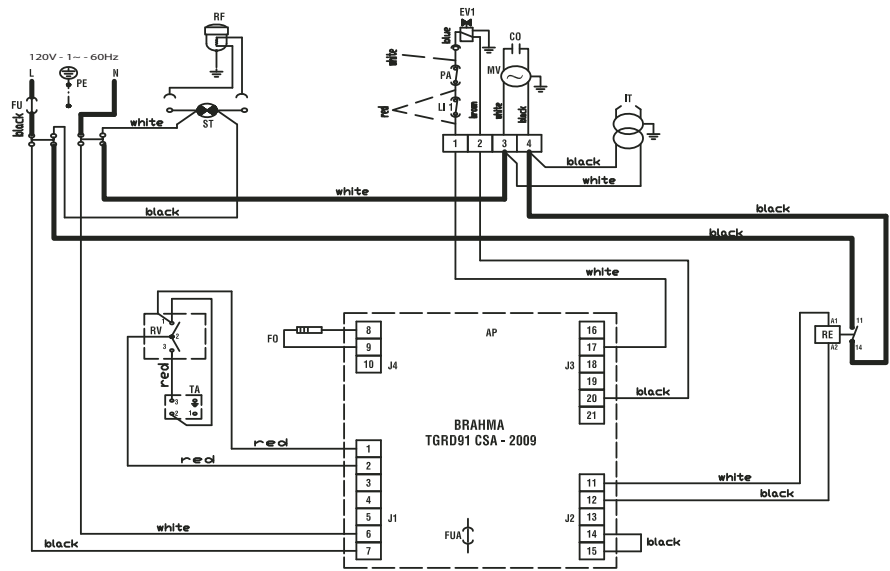
TROUBLE	CAUSE	SOLUTION
Motor does not start, no ignition	No electrical current	Check mains (should be 120 V – 1~ – 60 Hz) Check proper positioning and functioning of switch Check fuse
	Wrong setting of room thermostat or other control	Check correct setting of heater control. If thermostat, make sure selected temperature is higher than room temperature
	Thermostat or other control defective	Replace control device
	Electrical motor defective	Replace electrical motor
	Electrical motor bearings defective	Replace electrical motor bearings
	Burned out condenser	Replace condenser
Motor starts, no ignition or cuts out	Electric ignitor defective	Check connection of H.V. leads to electrodes and transformer Check electrodes setting (see scheme “GAP OF ELECTRODES”) Check electrodes for cleanliness Replace H.V. transformer
	Flame control box defective	Replace control box
	Photocell defective	Clean or replace photocell
	Not enough or no fuel at all at burner	Check state of motor-pump plastic coupling Check fuel line system including fuel filter for possible leaks Clean or replace oil nozzle
	Solenoid defective	Check electrical connection Check thermostat LI Clean or replace solenoid
	Motor starts, heater emits smoke	Not enough combustion air
	Too much combustion air	Check setting of combustion air flap
	Fuel contaminated or contains water	Drain fuel in tank with clean fuel Clean oil filter
	Air leaks in fuel circuit	Check the seals on the ducts and the diesel filter
	Not enough fuel at burner	Check pump pressure Clean or replace fuel nozzle
	Too much fuel at burner	Check pump pressure Replace nozzle
Heater does not stop	Solenoid	Replace solenoid coil or complete solenoid

If heater still not working properly, please revert to nearest authorized dealer.

**WIRING DIAGRAM
3500 SERIES MODELS**



6000 SERIES MODELS

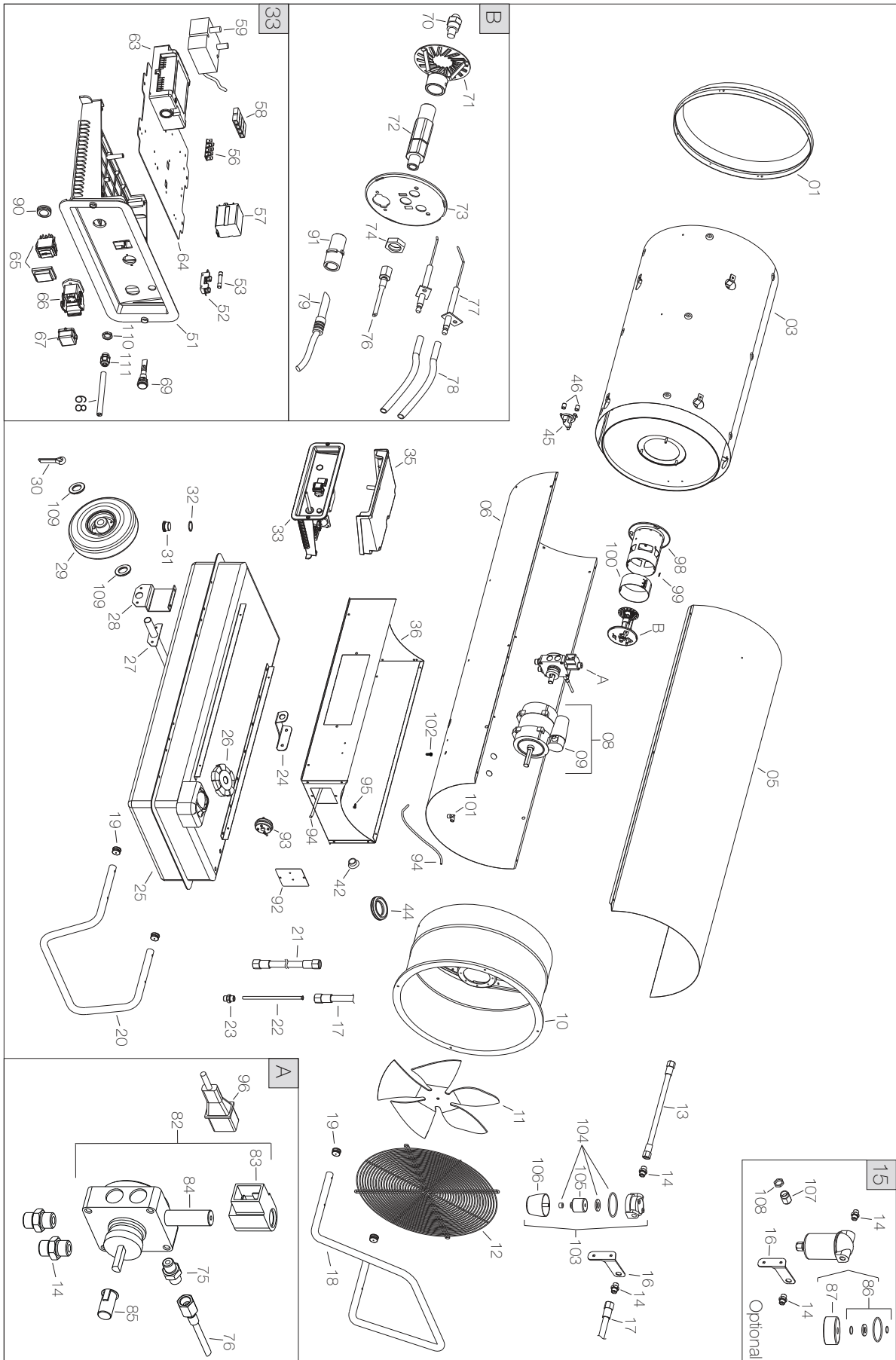


DRAWING LEGEND

FU	Fuse 20A	RV	Control
IT	Transformer H.V.	TA	Room Thermostat
LI1	Overheat Thermostat	RE	Relays
EV1	Solenoid Valve 1°	AP	Control Box
FO	Photocell	PA	Air pressure control
CO	Condenser	RF	Heater Filter
MV	Fan Motor	FUA	Fan thermostat
ST	Electric pilot	PE	Ground

NEVER LEAVE THE HEATER UNATTENDED WHILE BURNING!

3500DF Series Direct-Fired Portable Heater



3500DF Series Direct-Fired Portable Heater

POS	P/N	ALT #	DESCRIPTION
01	40494	G06408-9010	Outlet cone
03	50446	G06230	Combustion chamber
05	50447	G06233-9010	Upper body
06	40495	G06409-9010	Lower body
08	50160	E10678-110	Motor AACO
09	50161	E11230	Capacitor AACO
08		E10771	Motor SIMEL
09		E10771-1	Capacitor SIMEL
10	50163	G06125-9010	Air conveyor
11	50165	T10260	Fan
12	50167	P30169	Inlet grill
13	50051	I40330	Flex diesel pipe
14	50729	I20104	Iron fitting
15	50410	O2AC513	Diesel pre-heaters filter kit
16	50054	G06104-9005	Filter support bracket
17	50055	I40329	Flex diesel pipe
18	50451	P20176-9005	Handle
19	40477	C30355	Pipe cap
20	50058	P20177-9005	Support
21	50060	I40331	Flex diesel pipe
22	50061	I30696	Suction pipe
23	50063	I30737	Brass fitting
24	50064	G06068-9005	Power cord support
25	50170	G06127-9005	Fuel tank
26	50070	C30367	Tank cap
27		G06465-9005	Wheel axle
28		G06106-9005	Wheels axle support bracket
29		C10510	Wheel
30	50513	M20507	Cotter pin
31	40532	I25020	Drain cap
32	40479	C30375	O-ring
33	50434	G00248	El. control box
35	50077	P50127	Control box cover
36	40496	G06410-9010	Base
42	50057	C30319	Hole cap
44	50411	C30372	Cable protection
45	50085	E50102	Safety thermostat
46		G06072	Spacer
51	50246	G06153	El. control box panel
52	50093	E20508	Fuse holder
53	50092	E10313	Fuse
56		E20319	Ground terminal board
57	50097	E11125	Relay
58	50731	E20305	Terminal board

59	50319	E10930	H.T. Transformer
63	50320	E40124	Flame control box
64		G06073	Support plate
65	50013	E10102-P	Switch
66	50012	E20640	Thermostat plug
67	50011	E20665	Thermostat plug cover
68	50009	E30443-1	Power cord
69	50008	E11030	Lamp
70	50321	T20357	Nozzle
71	50126	G01077	Diffuser ring
72	50440	I33005	Nozzle support
73	50425	G06228	Burner support disc
74	50131	I31034	Brass lock nut
76	50133	I40192	Micropipe
77	50134	E10215	Ignition electrode
78	50322	G02078	H.T. Cable connect.
79	50323	E50334	Photocell
82	50442	T20410-1	Diesel pump
83	50140	T20118	Solenoid coil
84	50141	T20117	Solenoid valve body
85	50195	E10513	Motor-pump coupling AACO
85	50237	E10698	Motor-pump coupling SIMEL
86	50144	T20241	Filter seal kit
87	50145	T20242	Filter cartridge
90	50325	E20418	Stop button protection
91	50336	E50327-50	Photoresistor support
92	40492	G06406-9010	Pressure switch support bracket
93	50337	E50441	Pressure switch
94	40501	I40335	Silicone pipe
95	50429	I31131	Brass hose connection
96	50433	T20442	Solenoid valve cable
98	50450	G06266	Blast tube
99	50413	E20671	Terminal board
100	50419	G06183	Air adjustment shutter
101	50081	I20325	Fitting
102	50079	I31130	Brass hose connection
103	50024	T20201	Diesel filter
104	50025	T20234	Filter seal kit
105	50030	T20206	Filter cartridge
106	50251	T20212	Filter container
107	50082	E20953	Cable fastener
108	50083	E20954	Cable fastener nut
109	40533	M20111	Washer
110		E20965	Cable fastener nut
111		E20964	Cable fastener

6000DF Series Direct-Fired Portable Heater

POS	P/N	ALT #	DESCRIPTION
01	50027	G06139-9010	Outlet cone
03	50460	G06232	Combustion chamber
04		G06143-9010	Panel
05	50461	G06235-9010	Upper body
06	50462	G06238-9010	Lower body
07	40519	G06397	Air conveyor
08	50454	E10704-110	Motor AACO
09		E11249	Capacitor AACO
08		E10772	Motor SIMEL
09	50455	E10772-1	Capacitor SIMEL
10	50463	G06239-9010	Air conveyor
11	50049	T10263	Fan
12	50050	P30129	Inlet grill
13	50051	I40330	Flex diesel pipe
14	50729	I20104	Iron fitting
15	50053	T20239	Diesel pre-heated filter
16	50054	G06104-9005	Filter support bracket
17	50055	I40329	Flex diesel pipe
18	50541	P20176-9005	Handle
19	40477	C30355	Pipe cap
20		P20180-9005	Support
21	50060	I40331	Flex diesel pipe
22	50466	I30698	Suction pipe
23	50063	I30737	Brass fitting
24	50064	G06068-9005	Power cord support
25	50457	G06146-9005	Fuel tank
26	50070	C30367	Tank cap
27		G06465-9005	Wheel axle
28	50456	G06107-9005	Wheels axle support bracket
29		C10510	Wheel
30		M20507	Cotter pin
31	40532	I25020	Drain cap
32	40479	C30375	O-ring
33	40481	G00251	El. control box
35	50077	P50127	Control box cover
36	40497	G06411-9010	Base
42	50453	C30323	Cable protection
44	50411	C30372	Cable protection
45	50085	E50102	Safety thermostat
46		G06072	Spacer
51	50246	G06153	El. control box panel
52	50093	E20508	Fuse holder
53	50092	E10313	Fuse
56		E20319	Ground terminal board

57	50097	E11125	Relay
58	50731	E20305	Terminal board
59	50099	E10917-2	H.T. Transformer
63	50320	E40124	Flame control box (BRAHMA)
64		G06073	Support plate
65	50013	E10102-P	Switch
66	50012	E20640	Thermostat plug
67	50011	E20665	Thermostat plug cover
68	50009	E30443-1	Power cord
69	50008	E11030	Lamp
70	50006	T20327	Nozzle
71	50465	G07025	Diffuser ring
72	50440	I33005	Nozzle support
73	50459	G06229	Burner plate
74	50131	I31034	Brass lock nut
76	50133	I40192	Micropipe
77	50134	E10215	Ignition electrode
78	50135	G02076	H.T. Cable connect.
79	50323	E50334	Photocell
82		T20411-1	Diesel pump
83	50140	T20118	Solenoid coil
84	50141	T20117	Solenoid valve body
85	50143	E10514	Motor-pump coupling AACO
85	50237	E10698	Motor-pump coupling SIMEL
86	50144	T20241	Filter seal kit
87	50145	T20242	Filter cartridge
90	50325	E20418	Stop button protection
91	50336	E50327-50	Photoresistor support
92	40492	G06406-9010	Pressure switch support bracket
93	50337	E50441	Pressure switch
94	40501	I40335	Silicone pipe
95	50429	I31131	Brass hose connection
96	50433	T20442	Solenoid valve cable
98	50235	G06412	Blast tube
99	50413	E20671	Terminal board
100	50419	G06183	Air adjustment shutter
101	50081	I20325	Fitting
102	50079	I31130	Brass hose connection
103	40533	M20111	Washer
104		E20965	Cable fastener nut
105		E20964	Cable fastener
107	50082	E20953	Cable fastener
108	50083	E20954	Cable fastener nut
109	40533	M20111	Washer
110		E20965	Cable fastener nut
111		E20964	Cable fastener

NEVER LEAVE THE HEATER UNATTENDED WHILE BURNING!

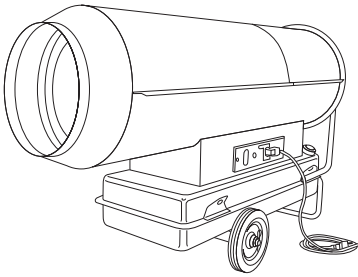


OPERATING INSTRUCTIONS AND OWNER'S MANUAL

Model #

HS3500DF
HS6000DF

READ INSTRUCTIONS CAREFULLY: Read and follow all instructions. Place instructions in a safe place for future reference. Do not allow anyone who has not read these instructions to assemble, light, adjust or operate the heater.



WARNING:

USE ONLY MANUFACTURER'S REPLACEMENT PARTS. USE OF ANY OTHER PARTS COULD CAUSE INJURY OR DEATH. REPLACEMENT PARTS ARE ONLY AVAILABLE DIRECT FROM THE FACTORY AND MUST BE INSTALLED BY A QUALIFIED SERVICE AGENCY.

PARTS ORDERING INFORMATION:

PURCHASING: Accessories may be purchased at any HeatStar local dealer or direct from the factory

FOR INFORMATION REGARDING SERVICE

Please call Toll-Free 866-447-2194 • www.enerco.com

Our office hours are 8:30 AM – 5:00 PM, EST, Monday through Friday.

Please include the model number, date of purchase, and description of problem in all communication.

LIMITED WARRANTY

The company warrants this product to be free from imperfections in material or workmanship, under normal and proper use in accordance with instructions of The Company, for a period of one year from the date of delivery to the buyer. The Company, at its option, will repair or replace products returned by the buyer to the factory, transportation prepaid within said one year period and found by the Company to have imperfections in material or workmanship.

If a part is damaged or missing, call our Technical Support Department at 866-447-2194.

Address any Warranty Claims to the Service Department, Enerco Group, Inc., 4560 W. 160TH ST., Cleveland, Ohio 44135. Include your name, address and telephone number and include details concerning the claim. Also, supply us with the purchase date and the name and address of the dealer from whom you purchased our product.

The foregoing is the full extent of the responsibility of the Company. There are no other warranties, express or implied. Specifically there is no warranty of fitness for a particular purpose and there is no warranty of merchantability. In no event shall the Company be liable for delay caused by imperfections, for consequential damages, or for any charges of the expense of any nature incurred without its written consent. The cost of repair or replacement shall be the exclusive remedy for any breach of warranty. There is no warranty against infringement of the like and no implied warranty arising from course of dealing or usage of trade. This warranty will not apply to any product which has been repaired or altered outside of the factory in any respect which in our judgment affects its condition or operation.

Some states do not allow the exclusion or limitation of incidental or consequential damages, so the above limitation or exclusion may not apply to you. This Warranty gives you specific legal rights, and you may have other rights which vary from state to state.

Enerco Group, Inc. reserves the right to make changes at any time, without notice or obligation, in colors, specifications, accessories, materials and models.



**GUIDE D'UTILISATION ET
INSTRUCTIONS DE FONCTIONNEMENT**

Model #

HS3500DF
HS6000DF

LISEZ SOIGNEUSEMENT LES INSTRUCTIONS : Lisez et observez toutes les instructions. Conservez les instructions pour vous y référer ultérieurement. Interdisez à quiconque n'ayant pas lu les présentes instructions d'assembler, d'allumer, de régler ou de faire fonctionner cet appareil de chauffage.

DIRECT TIRÉ CHAUFFAGE PORTATIF



ATTENTION: Si les informations dans ce manuel ne sont pas suivies exactement, un feu ou une explosion peuvent s'ensuivre en provoquant le dommage de propriété, la blessure personnelle ou la perte de vie.

- Ne conserver pas ou utiliser de l'essence ou d'autres vapeurs inflammables et de liquides aux alentours de cela ou autre appareil.
- Le service doit être exécuté par une agence de service qualifiée.

Cet appareil de chauffage portatif n'est pas ventilé. Il utilise l'oxygène de l'air ambiant. Une circulation d'air adéquate doit être assurée pour la combustion et la ventilation.

⚠ AVERTISSEMENT : VOTRE SÉCURITÉ PERSONNELLE ÉTANT IMPORTANTE POUR TOUS, VEUILLEZ LIRE LES INSTRUCTIONS AVANT D'UTILISER CET APPAREIL DE CHAUFFAGE.

AVERTISSEMENT GÉNÉRAL DE DANGER :

- ⚠** LE NON-RESPECT DES MESURES DE PRÉVENTION ET INSTRUCTIONS FOURNIES AVEC CET APPAREIL DE CHAUFFAGE RISQUE DE CAUSER LA MORT, DES BLESSURES GRAVES ET DES DOMMAGES OU DES PERTES MATÉRIELLES RÉSULTANT D'INCENDIE, D'EXPLOSION, DE BRÛLURE, D'ASPHYXIE, D'INTOXICATION AU MONOXYDE DE CARBONE OU D'ÉLECTROCUTION.
- ⚠** SEULES LES PERSONNES APTES À COMPRENDRE ET À RESPECTER LES INSTRUCTIONS DEVRAIENT UTILISER OU EFFECTUER L'ENTRETIEN DE CET APPAREIL DE CHAUFFAGE.
- ⚠** SI VOUS AVEZ BESOIN D'AIDE OU D'INFORMATION AU SUJET DE L'APPAREIL DE CHAUFFAGE (MANUEL D'INSTRUCTIONS, ÉTIQUETTES, ETC.), VEUILLEZ COMMUNIQUER AVEC LE FABRICANT.
- ⚠ AVERTISSEMENT :** NON CONÇU POUR UNE UTILISATION DANS LA MAISON OU UN VÉHICULE RÉCRÉATIF.

⚠ AVERTISSEMENT : DANGER D'INCENDIE, DE BRÛLURE, D'EXPLOSION ET D'INHALATION. CONSERVEZ LES MATÉRIAUX COMBUSTIBLES TELS QUE LES MATÉRIAUX DE CONSTRUCTION, LE PAPIER ET LE CARTON À UNE DISTANCE SÉCURITAIRE DE L'APPAREIL DE CHAUFFAGE COMME LE RECOMMANDENT LES INSTRUCTIONS. N'UTILISEZ JAMAIS L'APPAREIL DE CHAUFFAGE DANS UN LOCAL QUI CONTIENT OU RISQUE DE CONTENIR DES PARTICULES COMBUSTIBLES EN SUSPENSION DANS L'AIR OU DES PRODUITS TELS QUE DE L'ESSENCE, DES SOLVANTS, DU DILUANT À PEINTURE, DES PARTICULES DE POUSSIÈRE OU DES PRODUITS CHIMIQUES INCONNUS.

⚠ AVERTISSEMENT : Ce produit peut vous exposer à plomb et composés de plomb, identifié par l'État de Californie comme pouvant causer le cancer. Lavez-vous les mains après avoir manipulé ce produit. Pour de plus amples informations, prière de consulter www.P65Warnings.ca.gov.

⚠ AVERTISSEMENT : Les carburants utilisés dans les appareils à des produits chimiques, notamment le benzène, connu en Californie pour causer le cancer et causer des malformations congénitales ou d'autres problèmes de reproduction. www.P65Warnings.ca.gov

AVERTISSEMENT : LISEZ LES INSTRUCTIONS DONNÉES DANS CE MANUEL AVANT LE FAIT D'UTILISER L'APPAREIL.

- LE SYSTÈME ÉLECTRIQUE AUQUEL L'APPAREIL EST RACCORDÉ DOIT SE PLIER À TOUS LES RÈGLEMENTS DE SÉCURITÉ DANS LA FORCE. UN DISJONCTEUR ACTUEL RESTANT DOIT ÊTRE FOURNI SUR LE CONSEIL DE DISTRIBUTION PRINCIPAL.
- DÉBRANCHEZ LE CHAUFFAGE AVANT LE FAIT D'ESSAYER N'IMPORTE QUEL SERVICE OU MAINTENANCE.
- VÉRIFIEZ TOUJOURS LE CÂBLE D'ALIMENTATION ÉLECTRIQUE AVANT L'UTILISATION. IL NE DOIT PAS ÊTRE TOURNÉ, ÉCRASÉ, OU NUI EN TOUT CAS .
- LE CÂBLE D'ALIMENTATION ÉLECTRIQUE DOIT ÊTRE REMPLACÉ SEULEMENT PAR LE PERSONNEL QUALIFIÉ.
- UTILISEZ SEULEMENT UN CÂBLE D'ALIMENTATION de H07RN-F ORIGINAL AVEC LA PRISE DE COURANT IMPERMÉABLE.
- NE TOUCHEZ PAS L'ISSUE DE GAZ D'ÉCHAPPEMENT. LE DANGER DE BRÛLE!

CONTENTS

AVERTISSEMENTS	2
SPÉCIFICATIONS	3
OPÉRATION	4
ARTIFICES DE SÉCURITÉ	4
ENTRETIEN.....	5
ANOMALIES DE FONCTIONNEMENT CAUSES ET SOLUTIONS.....	6
SCHÉMAS DE CONNEXIONS	7
LISTE DE PARTIES	11

IMPORTANT

Avant d'utiliser le générateur, nous vous prions de lire attentivement toutes les instructions pour l'emploi, mentionnées ci-après et d'en suivre scrupuleusement les indications. Le constructeur n'est pas responsable pour les dommages aux choses et/ou per-rès, sonnes dus à une utilisation impropre de l'appareil.

RECOMMANDATIONS GENERALES

Le chauffage direct-tiré fonctionnent au fuel. Les générateurs à combustion directe répandent dans l'air ambiant, de l'air chaud et les produits de la combustion, alors que les générateurs à combustion in-directe sont dotés d'un raccord permettant d'éliminer les fumées à tra-vers un conduit de cheminée. Les conditions d'installation et d'utilisation doivent respecter les normes et les lois en vigueur relatives à l'utilisation de l'appareil

Il convient de s'assurer que:

- les instructions contenues dans ce livret soient suivies scrupuleusement;
- le générateur ne soit pas installé dans des locaux où il y aurait
- des risques d'explosion ou d'incendie;
- des matériaux inflammables ne soient pas déposés à côté de l'appareil (la distance minimum doit être de 2 mètres)
- de mesures suffisantes de prévention anti-incendie aient été prévues
- l'aération du local dans lequel se trouve le générateur soit garantie et suffisante pour les nécessités du générateur, et en particulier, pour le générateurs à combustion directe le renouvellement d'air doit être évalué en considérant que ce générateur envoie dans la pièce aussi bien de l'air chaud que les produits de combustion;
- le générateur soit installé près d'une cheminée pour

l'évacuation des fumées (voir paragraphe "PLAN DE MONTAGE DE LA CHEMINÉE") et relié à un coffret électrique.

- il n'y ait pas d'obstacles ou d'obstructions à l'aspiration et à la sortie de l'air, tels que des toiles ou des couvertures étendues sur l'appareil ou sur les parois, ou des objets encombrants à côté du générateur;
- du kérosène soit rajouté dans le réservoir si la température de la pièce est très basse;
- le générateur soit contrôlé avant sa mise en marche et régulièrement surveillé durant son utilisation; il faut éviter que des enfants ou des animaux non surveillés s'en approchent;
- au début de chaque période d'utilisation, avant de brancher la fiche dans la prise électrique, contrôler que le ventilateur tourne librement;
- à la fin de chaque période d'utilisation enlever la fiche de la prise de courant.

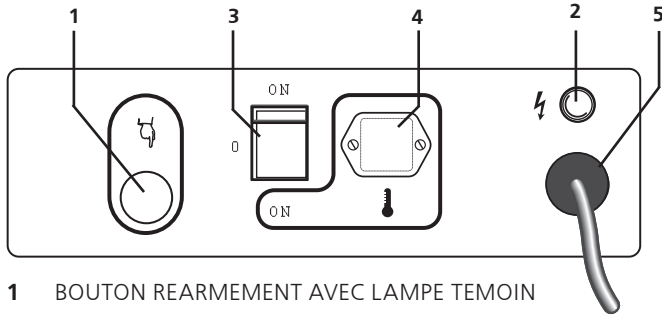
MISE EN MARCHÉ

Avant de mettre en marche le générateur et donc, avant de le brancher au réseau électrique d'alimentation, il faut contrôler que les caractéristiques du réseau électrique correspondent à celles écrites sur la plaque de fabrication.

TECHNICAL SPECIFICATIONS		HS 3500DF	HS 6000DF	
Puissance thermique en entrée	[kBTU/h]	400	610	
Débit d'air	[cfm]	1,795	2.800	
Type du Combustible		Le gazole/Pétrole / * 1-2 Fuel		
Puissance thermique en sortie	[kBTU/h]	360	610	
Consommation	[gal/h]	2.6	4.46	
	[lb/h]	18.56	30.84	
Alimentation électrique	Phase	1	1	
	Tension	[V]	120	120
	Fréquence	[Hz]	60	60
Puissance électrique	[W]	6.32	1.240	
	[A]	6.00	11.10	
Gicleur	[USgal/h]	2,00-30 S	3.00-80 S	
Pression pompe	[psi]	174	217	
Température max dans la gaine	[F]	a=0.59	a=1.00	
Capacité réservoir	[gal]	27.7	35.7	
Dimensions, L x P x H	[in]	56.4 x 26.4 x 35.6	68.5 x 28.8 x 44	
Net Weight	[lb]	153	246	

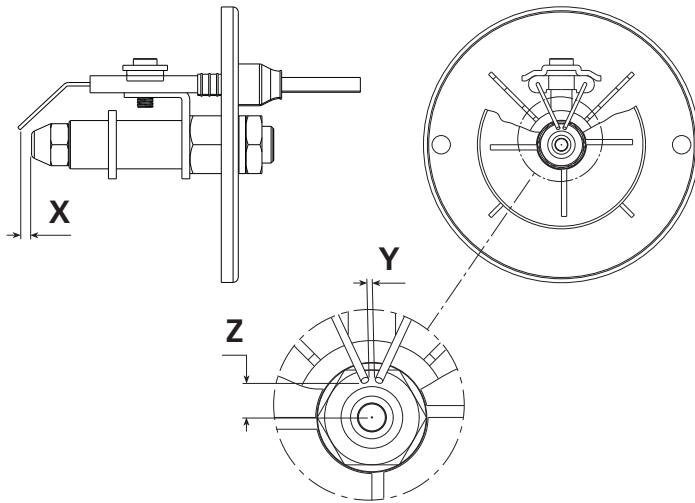
NE JAMAIS LAISSER LE CHAUFFAGE SANS SURVEILLANCE PENDANT LE BRÛLAGE!

Tableau de commande



- 1 BOUTON REARMEMENT AVEC LAMPE TMOIN
- 2 LAMPE TMOIN D'ALIMENTATION
- 3 INTERRUPTEUR MARCHE-ARRET
- 4 PRISE THERMOSTAT D'AMBIANCE
- 5 CABLE ELECTRIQUE

Trou des électrodes



Models	X	Y	Z
3500DF	0.157 in	0.098 in	0.157 in
6000DF	0.157 in	0.098 in	0.157 in

Déblayages

Les déblayages de sécurité minimaux suivants du matériel ou des objets dans les environs du chauffage doivent être garantis :

Côtés 2.5 ft.	Arrivée Aérienne	2.5 ft.
6 Premiers ft.	Issue aérienne	2 ft.

- les Étages et les plafonds doit être fait du matériel ignifugé dans la pièce où le chauffage est fait marcher.
- l'arrivée aérienne et l'issue ne doit jamais être bloqué pour aucune raison.
- Installent le chauffage sur un appartement, l'étage de niveau dans un post-ion régulier.
- Cela est interdit de raccorder des chauffages direct-tirés aux conduits de ventilation.

⚠ AVERTISSEMENT :

- N'EMPLOYEZ PAS D'ESSENCE, DE NAPhte OU DE PRODUITS COMBUSTIBLES VOLATILS.
- ARRÊTEZ L'APPAREIL DE CHAUFFAGE AVANT D'Y

AJOUTER DU COMBUSTIBLE.

- REMPLISSEZ TOUJOURS LE RÉSERVOIR À L'EXTÉRIEUR, LOIN D'UNE FLAMME NUE.
- N'UTILISEZ PAS DE SOURCE DE COMBUSTIBLE EXTERNE.
- NE FAITES PAS FONCTIONNER L'APPAREIL DE CHAUFFAGE SI DES VAPEURS OU DES LIQUIDES INFLAMMABLES RISQUENT D'ÊTRE PRÉSENTS.
- NE DÉMARREZ PAS L'APPAREIL DE CHAUFFAGE SI LA CHAMBRE DE COMBUSTION EST CHAUDE.
- NE DÉMARREZ PAS L'APPAREIL DE CHAUFFAGE SI UN SURPLUS DE COMBUSTIBLE S'EST ACCUMULÉ DANS LA CHAMBRE DE COMBUSTION.
- NE PLACEZ PAS D'USTENSILES DE CUISSON SUR L'APPAREIL DE CHAUFFAGE.
- BRANCHEZ LE CORDON ÉLECTRIQUE DANS UNE PRISE À TROIS TROUS ADÉQUATEMENT MISE À LA TERRE.

Le générateur peut fonctionner en mode automatique uniquement lorsqu'un dispositif de contrôle est connecté (par ex. un thermostat ou une montre). La connexion au générateur doit être faite en retirant le couvercle de la prise (4) et en branchant la fiche du thermostat.

Pour démarrer la machine:

- si elle est pilotée par le thermostat, placer l'interrupteur sur la position (ON +);
- si elle n'est pas pilotée par le thermostat, placer l'interrupteur sur la position (ON).

A la première mise en service ou après la vidange totale du circuit du fuel, le flux du fuel au gicleur peut être insuffisant et causer l'intervention du coffret de contrôle de la flamme; le générateur alors s'arrête.

Dans ce cas après avoir attendu une minute, pousser le bouton de réarmement et faire redémarrer l'appareil.

Au cas où la machine ne fonctionnerait pas, les premières opérations à faire sont les suivantes:

1. Contrôler que le réservoir contienne encore du fuel;
2. Pousser le bouton de réarmement (1);
3. Si après ces opérations le générateur ne fonctionne pas, il faut consulter le paragraphe "ANOMALIES DE FONCTIONNEMENT",

ARRET

Pour arrêter le fonctionnement du générateur il faut mettre l'interrupteur (2) sur la position "0" et agir sur le dispositif de contrôle, (parex., en réglant le thermostat sur une température plus basse). La flamme s'éteint mais le ventilateur continue de fonctionner pendant environ 90 secondes pour refroidir la chambre de combustion.

DISPOSITIFS DE SECURITE

Le générateur est muni d'un coffret électronique pour le contrôle de la flamme. En cas de mauvais fonctionnement ce coffret provoque l'arrêt du générateur et l'allumage de la lampe témoin

du bouton de réarmement. Un thermostat de surchauffe intervient et provoque l'interruption de l'alimentation du fuel si le générateur surchauffe: le thermostat se réarme automatiquement quand la température de la chambre de combustion diminue jusqu'à rejoindre la valeur maximale admise. Avant de remettre en marche le générateur il faut trouver et éliminer la cause qui a produit la surchauffe (par ex. obstruction de l'entrée ou de la sortie de l'air, arrêt du ventilateur). Pour faire redémarrer le générateur il faut pousser le bouton de réarmement (1) et répéter les instructions spécifiques du paragraphe "MISE EN MARCHÉ".

TRANSPORT ET DEPLACEMENT

⚠ ATTENTION

- Avant de déplacer l'appareil il faut:
- Arrêter le générateur en suivant les indications du paragraphe "ARRÊT";
- Débrancher l'alimentation en enlevant la fiche de la prise de courant;
- Attendre que le générateur soit froid.

Avant de soulever ou de déplacer le générateur il faut s'assurer que le bouchon du réservoir soit bien fixé.

Le générateur peut être fourni dans une version mobile, muni de roues, ou dans une version suspendue, monté sur une structure de support avec des ancrages pour le fixage qui doit être effectué avec l'aide de cordes ou de chaînes. Dans le premier cas, pour le transport il est suffisant de saisir le générateur par la poignée de soutien et de le faire glisser sur les roues. Dans le deuxième cas le soulèvement doit être effectué avec un chariot élévateur ou un équipement similaire.

ENTRETIEN

Pour que l'appareil fonctionne régulièrement, il est nécessaire de nettoyer périodiquement la chambre de combustion, le brûleur et le ventilateur.

⚠ ATTENTION

- Avant de commencer une quelconque opération d'entretien il faut:
- Arrêter le générateur selon les indications du paragraphe "ARRÊT";
- Débrancher l'alimentation électrique en enlevant la fiche de la prise de courant;
- Attendre que le générateur soit froid.

Toutes les 50 heures de fonctionnement il est nécessaire de:

- Démonter la cartouche du filtre, l'extraire et la nettoyer avec du fuel propre;
- Démonter la carrosserie externe cylindrique et nettoyer la partie interne et les pales du ventilateur;
- Contrôler l'état des câbles et des connexions haute tension sur les électrodes;
- Démonter le brûleur et en nettoyer les différentes parties, nettoyer les électrodes et régler leur distance en respectant les données du schéma "TROU DES ELECTRODES".

**LA COLONNE A INTENTIONNELLEMENT
QUITTÉ LE BLANC**

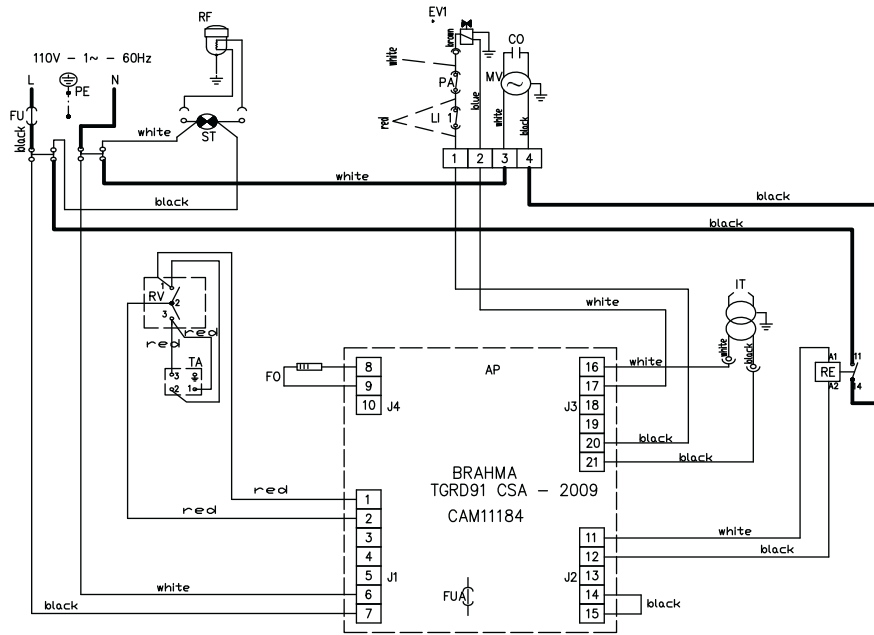
ANOMALIES DE FONCTIONNEMENT CAUSES ET SOLUTIONS

ANOMALIE DEFONCTIONNEMENT	CAUSE	SOLUTION
Le ventilateur ne démarre pas et la flamme ne s'allume pas	Le courant électrique n'arrive pas	Vérifier les caractéristiques de l'installation électrique (120 V – 1~ – 60 Hz) Vérifier le fonctionnement et la position de l'interrupteur Vérifier l'efficacité du fusible
	Mauvais réglage d'un éventuel dispositif de contrôle	Vérifier que le réglage du dispositif de contrôle soit correct (par ex. la température choisie sur le thermostat doit être supérieure à la température du local)
	Dispositif de contrôle défectueux	Remplacer le dispositif de contrôle
	Bobinage du moteur brûlé ou interrompu	Remplacer le moteur
	Roulements du moteur bloqués Condensateur du moteur brûlé	Remplacer les roulements Remplacer le condensateur
Le ventilateur démarre et la flamme ne s'allume pas ou ne reste pas allumée	L'allumage ne fonctionne pas	Vérifier les branchements des câbles d'allumage aux électrodes et au transformateur Vérifier la position des électrodes et leur distance selon le schéma "TROU DES ELECTRODES" Vérifier que les électrodes soient propres Remplacer le transformateur d'allumage
	Le coffret de contrôle de la flamme défectueux	Remplacer le coffret
	La cellule photo ne fonctionne pas	Nettoyer la cellule photo ou la remplacer
	Le fuel n'arrive pas au brûleur ou arrive en quantité insuffisante	Contrôler l'efficacité du raccord moto-pompe Contrôler qu'il n'y ait pas d'infiltrations d'air dans le circuit du fuel en vérifiant l'étanchéité des tuyaux et des joints du filtre Nettoyer ou s'il le faut changer le gicleur
	L'électro-vanne ne fonctionne pas	Contrôler le branchement électrique Contrôler le thermostat LI Nettoyer et éventuellement remplacer l'électrovanne
	Le ventilateur démarre et la flamme s'allume en produisant de la fumée	L'air de combustion est insuffisant
L'air de combustion est excessif	Vérifier la position du volet de réglage de l'air	
Le fuel utilisé est sale ou contient de l'eau	Vidanger et remplacer par du fuel propre Nettoyer le filtre du fuel	
Infiltrations d'air dans le circuit du fuel	Vérifier l'étanchéité des tuyaux et du filtre à fuel	
Quantité insuffisante de fuel au brûleur	Vérifier la valeur de la pression de la pompe Nettoyer et remplacer le gicleur	
Quantité excessive de fuel au brûleur	Vérifier la valeur de la pression de la pompe Substituer le gicleur	
Le générateur ne s'arrête pas	L'électrovanne ne ferme pas	Remplacer le corps de l'électrovanne

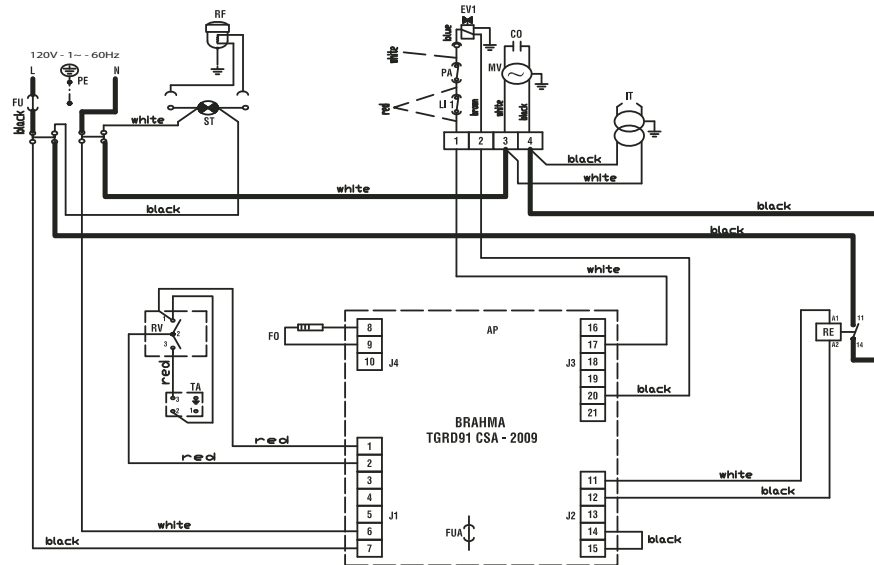
Si ces contrôles et ces solutions ne sont pas la cause du mauvais fonctionnement du générateur, veuillez contacter notre plus proche centre de vente – assistance autorisé

NE JAMAIS LAISSER LE CHAUFFAGE SANS SURVEILLANCE PENDANT LE BRÛLAGE!

WIRING DIAGRAM 3500 SERIES MODELS



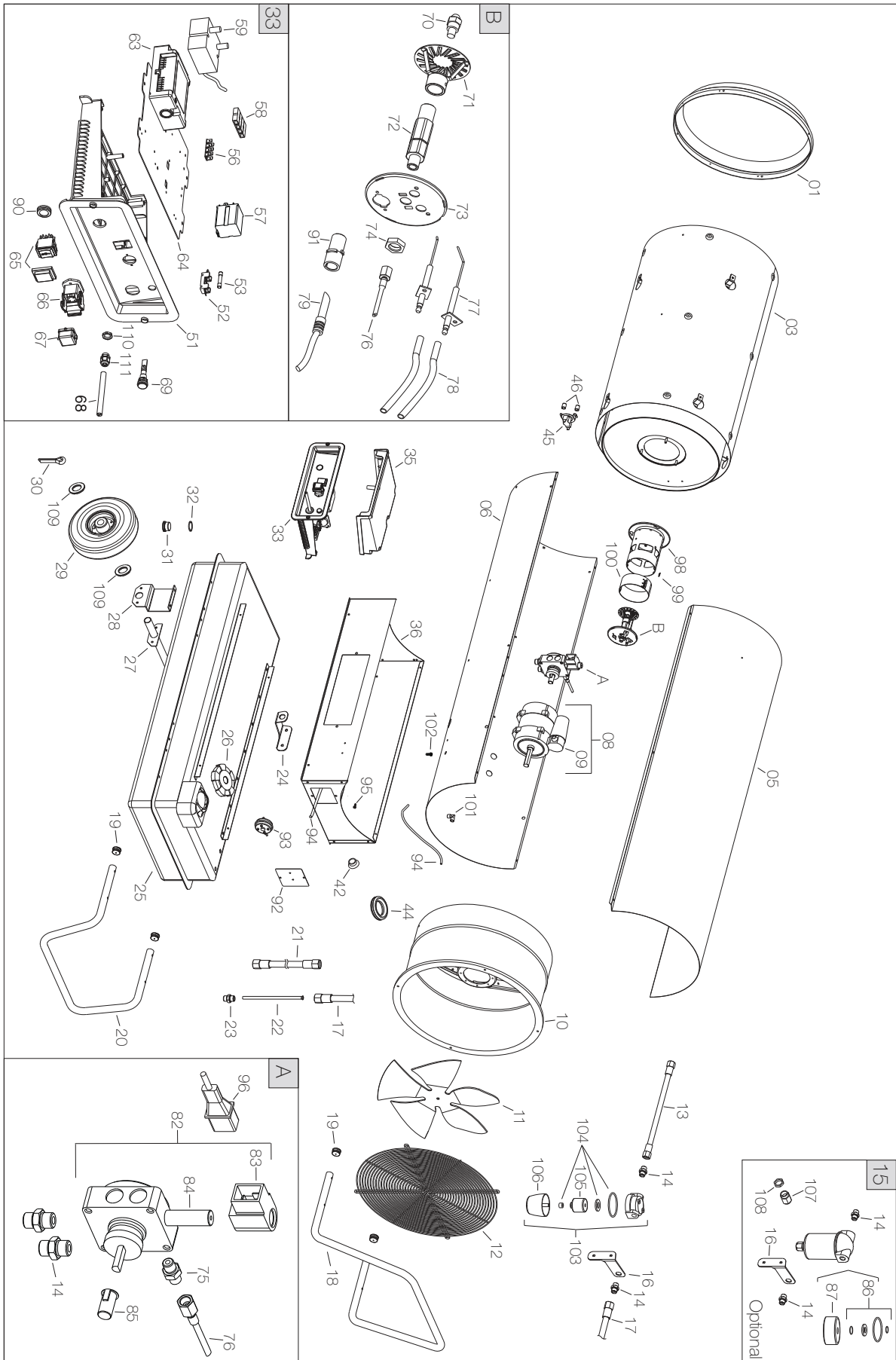
6000 SERIES MODELS



DESSIN DE LA LÉGENDE

FU	Fusible 20A	TA	Prise thermostat d'ambiance
IT	Transformateur H.T.	RE	Relais
LI1	Thermostat de surchauffe	AP	Coffret de securite
EV1	Electrovanne 1°	FUA	Fusible 6.3A
FO	Photoresistance	PA	Connecteur
CO	Condensateur	RF	Pressostats Air
MV	Moteur du ventilator	PE	Terre
ST	Lampe temoin d'alimentation		
RV	Commutateur		

3500DF Series Direct-Fired Portable Heater



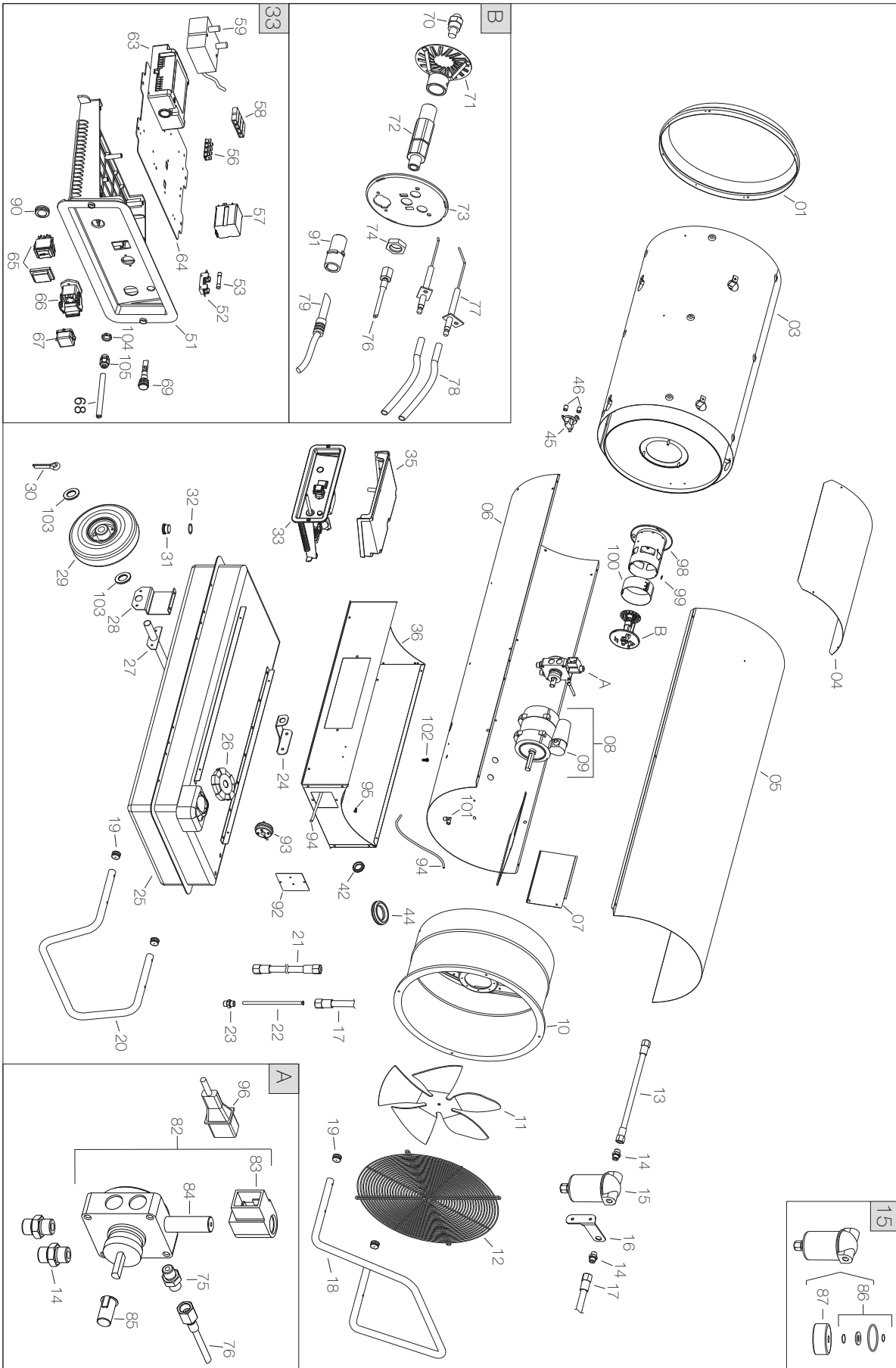
NE JAMAIS LAISSER LE CHAUFFAGE SANS SURVEILLANCE PENDANT LE BRÛLAGE!

3500DF Series Direct-Fired Portable Heater

POS		P/N	DESCRIPTION
01	40494	G06408-9010	Embout conique
03	50446	G06230	Chambre de combustion
05	50447	G06233-9010	Carrosserie sup.
06	40495	G06409-9010	Carrosserie Inf.
08	50160	E10678-110	Moteur AACO
09	50161	E11230	Condensateur AACO
08		E10771	Moteur SIMEL
09		E10771-1	Condensateur SIMEL
10	50163	G06125-9010	Air collecteur
11	50165	T10260	Ventilateur
12	50167	P30169	Grille aspiration
13	50051	I40330	Flexible fuel
14	50729	I20104	Raccord fer
15	50410	O2AC513	Kit Filtre pre-chauffage
16	50054	G06104-9005	Étrier support filtre
17	50055	I40329	Flexible fuel
18	50451	P20176-9005	Poignée
19	40477	C30355	Bouchon tuyau
20	50058	P20177-9005	Support
21	50060	I40331	Flexible fuel
22	50061	I30696	Tuyau d'aspiration
23	50063	I30737	Raccord laiton
24	50064	G06068-9005	Crochet câble d'alimentation
25	50170	G06127-9005	Réservoir fuel
26	50070	C30367	Bouchon réservoir
27		G06465-9005	Essieu
28		G06106-9005	Étrier support essieu
29		C10510	Roue
30	50513	M20507	Goupille
31	40532	I25020	Bouchon de vidange réservoir
32	40479	C30375	Anneau O'R
33	50434	G00248	Coffret électrique
35	50077	P50127	Couverture coffret électrique
36	40496	G06410-9010	Base
42	50057	C30319	Bouche trou
44	50411	C30372	Protection cable
45	50085	E50102	Thermostat de sécurité
46		G06072	Epaisseur
51	50246	G06153	Panneau du coffret électrique
52	50093	E20508	Porte fusible
53	50092	E10313	Fusible
56		E20319	Barrette de connection
57	50097	E11125	Relais
58	50731	E20305	Barrette de connection

59	50319	E10930	Transformateur H.T.
63	50320	E40124	Disp. Contrôle flamme
64		G06073	Plaque support
65	50013	E10102-P	Interrupteur
66	50012	E20640	Fiche thermostat
67	50011	E20665	Couvercle prise thermostat
68	50009	E30443-1	Câble d'alimentation
69	50008	E11030	Lampe
70	50321	T20357	Gicleur
71	50126	G01077	Diffusaire annulaire
72	50440	I33005	Support gicleur
73	50425	G06228	Bride brûleur
74	50131	I31034	Contre-écrou laiton
76	50133	I40192	Microtube
77	50134	E10215	Électrode allumage
78	50322	G02078	Conn. câble
79	50323	E50334	Photocell.
82	50442	T20410-1	Pompe fuel
83	50140	T20118	Bobine E.V.
84	50141	T20117	Corps électrovalve
85	50195	E10513	Accouplement moteur-pompe AACO
85	50237	E10698	Accouplement moteur-pompe SIMEL
86	50144	T20241	KIT OR filtre
87	50145	T20242	Cartouche filtre
90	50325	E20418	Protection bouton d'arrêt
91	50336	E50327-50	Support photorésistance
92	40492	G06406-9010	Bride de fixation pressostat
93	50337	E50441	Pressostat
94	40501	I40335	Tuyau en silicone
95	50429	I31131	Porte-tuyau laiton
96	50433	T20442	Câble électrovalve
98	50450	G06266	Gueulard
99	50413	E20671	Barrette de connection
100	50419	G06183	Tablier réglage air
101	50081	I20325	Raccord
102	50079	I31130	Porte-tuyau laiton
103	50024	T20201	Filtre fuel
104	50025	T20234	KIT OR filtre
105	50030	T20206	Cartouche filtre
106	50251	T20212	Conteneur filtre
107	50082	E20953	Presse étoupe
108	50083	E20954	Ecrou pour presse étoupe
109	40533	M20111	Rondelle
110		E20965	Ecrou pour presse étoupe
111		E20964	Presse étoupe

6000DF Chauffage Portatif Direct-tiré



NE JAMAIS LAISSER LE CHAUFFAGE SANS SURVEILLANCE PENDANT LE BRÛLAGE!

6000DF Series Direct-Fired Portable Heater

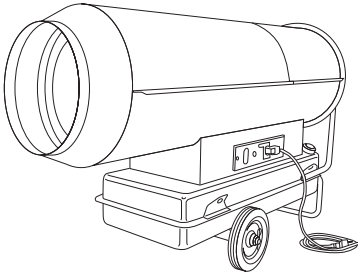
POS	P/N	ALT #	DESCRIPTION
01	50027	G06139-9010	Embout conique
03	50460	G06232	Chambre de combustion
04		G06143-9010	Panneau
05	50461	G06235-9010	Carrosserie sup.
06	50462	G06238-9010	Carrosserie Inf.
07	40519	G06397	Air collecteur
08	50454	E10704-110	Moteur AACO
09	50455	E11246	Condensateur AACO 80
08		E10772	Moteur SIMEL
09		E10772-1	Condensateur SIMEL
10	50463	G06239-9010	Air collecteur
11	50049	T10263	Ventilateur
12	50050	P30129	Grille aspiration
13	50051	I40330	Flexible fuel
14	50729	I20104	Raccord fer
15	50053	T20239	Filtre fuel pre-chauffage
16	50054	G06104-9005	Étrier support filtre
17	50055	I40329	Flexible fuel
18	50541	P20176-9005	Poignée
19	40477	C30355	Bouchon tuyau
20		P20180-9005	Support
21	50060	I40331	Flexible fuel
22	50466	I30698	Tuyau d'aspiration
23	50063	I30737	Raccord laiton
24	50064	G06068-9005	Crochet câble d'alimentation
25	50457	G06146-9005	Réservoir fuel
26	50070	C30367	Bouchon réservoir
27		G06465-9005	Essieu
28	50456	G06107-9005	Etrier support essieu
29		C10510	Roue
30		M20507	Goupille
31	40532	I25020	Bouchon de vidange réservoir
32	40479	C30375	Anneau O'R
33	40481	G00251	Coffret électrique
35	50077	P50127	Couverture coffret électrique
36	40497	G06411-9010	Base
42	50453	C30323	Protection cable
44	50411	C30372	Protection cable
45	50085	E50102	Thermostat de sécurité
46		G06072	Epaisseur
51	50246	G06153	Panneau du coffret électrique
52	50093	E20508	Porte fusible
53	50092	E10313	Fusible
56		E20319	Barrette de connection
57	50097	E11125	Relais
58	50731	E20305	Barrette de connection
59	50099	E10917-2	Transformateur H.T.
63	50320	E40124	Disp. Contrôle flamme (Brahma)
64		G06073	Plaque support
65	50013	E10102-P	Interrupteur
66	50012	E20640	Fiche thermostat
67	50011	E20665	Couvercle prise thermostat
68	50009	E30443-1	Câble d'alimentation
69	50008	E11030	Lampe
70	50006	T20327	Gicleur
71	50465	G07025	Diffusaire annulaire
72	50440	I33005	Support gicleur
73	50459	G06229	Bride brûleur
74	50131	I31034	Contre-écrou laiton
76	50133	I40192	Microtube
77	50134	E10215	Électrode allumage
78	50135	G02076	Conn. câble
79	50323	E50334	Photocell
82		T20411-1	Pompe fuel
83	50140	T20118	Bobine E.V.
84	50141	T20117	Corps électrovalve
85	50143	E10514	Accouplement moteur-pompe AACO
85	50237	E10698	Accouplement moteur-pompe SIMEL
86	50144	T20241	KIT OR filtre
87	50145	T20242	Cartouche filtre
90	50325	E20418	Protection bouton d'arrêt
91	50336	E50327-50	Support photorésistance
92	40492	G06406-9010	Bride de fixation pressostat
93	50337	E50441	Pressostat
94	40501	I40335	Tuyau en silicone
95	50429	I31131	Porte-tuyau laiton
96	50433	T20442	Câble électrovalve
98	50235	G06412	Gueulard
99	50413	E20671	Barrette de connection
100	50419	G06183	Tablier réglage air
101	50081	I20325	Raccord
102	50079	I31130	Porte-tuyau laiton
103	40533	M20111	Rondelle
104		E20965	Ecrou pour presse étoupe
105		E20964	Presse étoupe
107	50082	E20953	Cable fastener
108	50083	E20954	Cable fastener nut
109	40533	M20111	Washer
110		E20965	Cable fastener nut
111		E20964	Cable fastener

**GUIDE D'UTILISATION ET INSTRUCTIONS DE FONCTIONNEMENT**

Model #

HS3500DF
HS6000DF

LISEZ SOIGNEUSEMENT LES INSTRUCTIONS : Lisez et observez toutes les instructions. Conservez les instructions pour vous y référer ultérieurement. Interdisez à quiconque n'ayant pas lu les présentes instructions d'assembler, d'allumer, de régler ou de faire fonctionner cet appareil de chauffage.

**AVERTISSEMENT:**

N'UTILISEZ QUE LES PIÈCES DE REMPLACEMENT DU FABRICANT. IL EST POSSIBLE DE SE PROCURER CES PIÈCES DIRECTEMENT DE L'USINE OU PAR L'ENTREMISE DES DÉTAILLANTS LOCAUX HEATSTAR.

INFORMATIONS SUR LA COMMANDE DE PIÈCES :

ACHAT : On peut se procurer les accessoires par l'entremise de tous les détaillants locaux HeatStar ou directement du fabricant

POUR OBTENIR DES INFORMATIONS SUR LE SERVICE

Appelez sans frais au 866-447-2194 • www.enerco.com

Nos heures d'ouverture sont de 8 h 30 à 17 h HNE, du lundi au vendredi.

Adressez vos courriels à : techservice@enerco.com

Veuillez indiquer le numéro du modèle, la date d'achat et la description du problème dans toutes vos communications avec nous.

GARANTIE LIMITÉE

L'entreprise garantit ce produit contre tout défaut de matériel ou de main-d'œuvre, dans des conditions d'utilisation normale et adéquate, conformément aux instructions de l'entreprise, pour une période d'un an à compter de la date de livraison à l'acheteur. L'entreprise réparera ou remplacera, à sa discrétion, les produits retournés port payé par l'acheteur au fabricant dans la période d'un an et jugés par l'entreprise comme présentant des défauts de matériel ou de main-d'œuvre.

Si une pièce est endommagée ou manquante, téléphonez à notre service de soutien technique au 866-447-2194.

Adressez toute réclamation relative à la garantie à Service Department, Enerco Group, Inc., 4560 W. 160TH ST., Cleveland, Ohio 44135 États-Unis. Indiquez vos nom, adresse et numéro de téléphone ainsi que les détails de la réclamation. Indiquez-nous également la date d'achat et le nom et l'adresse du détaillant de qui vous avez acheté le produit.

Ce qui est énoncé ci-dessus constitue la responsabilité totale de l'entreprise. Il n'existe aucune autre garantie, expresse ou tacite. Plus précisément, il n'y a aucune garantie concernant l'adéquation à une utilisation particulière ni aucune garantie concernant la qualité marchande. En aucun cas l'entreprise ne sera tenue responsable des retards causés par des défauts, ni des dommages indirects, ni des dépenses encourues sans son consentement écrit, quelle que soit leur nature. Le coût de la réparation ou du remplacement sera le seul recours possible en cas de violation de garantie. Il n'y a aucune garantie contre une transgression de ce genre ni aucune garantie tacite découlant des usages du commerce ou de la façon habituelle d'échanger. La présente garantie ne s'applique à aucun produit qui a été réparé ou modifié par d'autres que le fabricant si cela influe de quelque façon que ce soit sur l'état de l'appareil ou son fonctionnement, selon notre jugement.

Certains États ou provinces ne permettent pas d'exclure ou de limiter les dommages indirects ou subséquents. Par conséquent, les limitations ou exclusions ci-dessus mentionnées ne vous concernent peut-être pas. La présente garantie vous accorde des droits juridiques précis, mais vous pourriez avoir d'autres droits qui varient selon la province ou l'État.

Enerco Group Inc. se réserve le droit d'effectuer des modifications en tout temps, sans préavis ni obligation, aux couleurs, aux spécifications, aux accessoires, aux matériaux et aux modèles.