

Installer: Leave this manual with the appliance. Consumer: Retain this manual for future reference.



# OPERATING INSTRUCTIONS AND OWNER'S MANUAL

**MODEL#**  
HSU50NG  
HSU80NG  
HSU125NG

**READ INSTRUCTIONS CAREFULLY:** YOUR SAFETY IS IMPORTANT TO YOU AND TO OTHERS. Read and follow all instructions. Place instructions in a safe place for future reference. Do not allow anyone who has not read these instructions to assemble, light, adjust or operate the heater.



## COMPACT UNIT HEATER FOR RESIDENTIAL/COMMERCIAL USE

**WARNING: Improper installation, adjustment, alteration, service or maintenance can cause injury or property damage. Refer to this manual. For assistance or additional information consult a qualified installer, service agency or the gas supplier.**

### -WHAT TO DO IF YOU SMELL GAS

- o DO NOT try to light appliance.
- o DO NOT touch any electrical switch, do not use any phone in your building
- o Leave the building immediately
- o Immediately call your gas supplier from a phone remote from the building. Follow the gas suppliers instructions
- o If you cannot reach your gas supplier, call the Fire Department.

- Installation and service must be performed by a qualified installer, service agency or the gas supplier.

### **FOR YOUR SAFETY:**

Do not store or use gasoline or other flammable vapors and liquids in the vicinity of this or any other appliance.

**WARNING:** If the information in these instructions are not followed exactly, a fire or explosion may result causing property damage, personal injury or loss of life.

**⚠ WARNING:**

YOUR SAFETY IS IMPORTANT TO YOU AND TO OTHERS, SO PLEASE READ THESE INSTRUCTIONS BEFORE YOU OPERATE THIS HEATER.

**⚠ WARNING:**

**FIRE OR EXPLOSION HAZARD**

Failure to follow safety warnings exactly could result in serious injury, death or property damage. Be sure to read and understand the installation, operation, and service in this manual. Improper installation, adjustment, alteration, service or maintenance can cause serious injury, death or property damage.

**⚠ WARNING:**

Fuels used in liquefied propane gas appliances, and the products of combustion of such fuel, can expose you to chemicals including benzene, which is known to the state of California to cause cancer and cause birth defects or other reproductive harm, for more information go to [www.P65Warnings.ca.gov](http://www.P65Warnings.ca.gov)

**⚠ WARNING:**

FIRE, BURN, INHALATION, AND EXPLOSION HAZARD. KEEP SOLID COMBUSTIBLES, SUCH AS BUILDING MATERIALS, PAPER, OR CARDBOARD, A SAFE DISTANCE AWAY FROM THE HEATER. AS RECOMMENDED BY THE INSTRUCTIONS NEVER USE THE HEATER IN SPACES WHICH DO OR MAY CONTAIN VOLATILE OR AIRBORNE COMBUSTIBLES, OR PRODUCTS SUCH AS GASOLINE, SOLVENTS, PAINT THINNER, DUST PARTICLES OR UNKNOWN CHEMICALS.

**⚠ WARNING:**

THIS PRODUCT CAN EXPOSE YOU TO CHEMICALS INCLUDING LEAD AND LEAD COMPOUNDS, WHICH ARE KNOWN TO THE STATE OF CALIFORNIA TO CAUSE CANCER AND BIRTH DEFECTS OR OTHER REPRODUCTIVE HARM. FOR MORE INFORMATION VISIT [WWW.P65WARNINGS.CA.GOV](http://WWW.P65WARNINGS.CA.GOV)

	HSU125	HSU80	HSU50
<b>V/A/H/Phase</b>	120v / 3a / 60hZ / 1Ø	120v / 2.3a / 60hZ / 1Ø	120v / 2.3a / 60hZ / 1Ø
<b>BTU Input</b>	125,000 BTU	80,000 BTU	50,000 BTU
<b>BTU Output</b>	100,000 BTU	64,000 BTU	40,000 BTU
<b>Efficiency %</b>	80%	80%	80%

## CONTENTS

UNIT DIMENSIONS ..... 3

SHIPPING ..... 4

REQUIREMENTS ..... 4

UNIT HEATER INSTALLATION..... 5

COMBUSTION & VENTILATION AIR..... 5

VENTING ..... 5

ELECTRICAL CONNECTIONS ..... 9

GAS CONNECTIONS..... 10

LEAK CHECK..... 10

START-UP OPERATION..... 10

HEATING SEQUENCE OF OPERATION ..... 11

IGNITION CONTROL LED..... 11

SERVICE ..... 12

WIRING DIAGRAM..... 13

FUEL CONVERSION..... 14

PARTS LIST..... 19

WARRANTY ..... 22

## LANGUAGES

ENGLISH ..... 1 - 22

SPANISH ..... 23 - 45

FRENCH ..... 46 - 68

## GENERAL INFORMATION

RETAIN THIS MANUAL FOR FUTURE REFERENCE. FOR QUESTIONS, PROBLEMS, MISSING PARTS BEFORE RETURNING TO RETAILER PLEASE CALL WITH MODEL NUMBER AND SERIAL NUMBER OF HEATER:

1-866-447-2194

MONDAY-FRIDAY 8-5 EASTERN TIME

OR E-MAIL USING THE HEATSTAR WEBSITE:

**WWW.HEATSTARBYENERCO.COM**

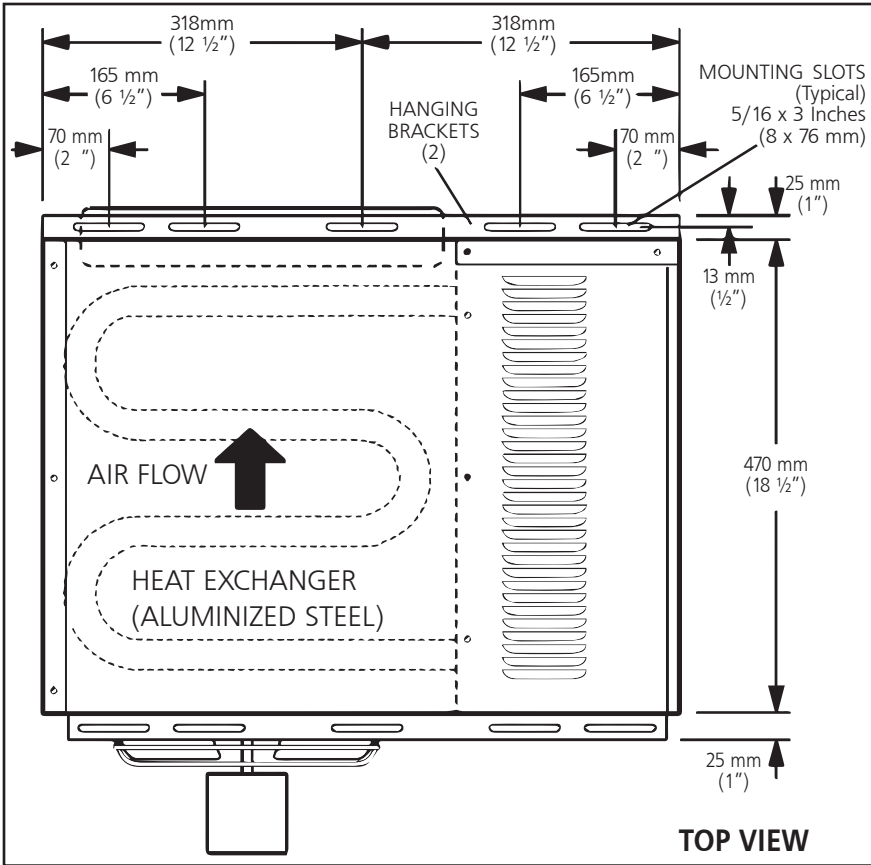
In order to provide the best service possible HEATSTAR is now giving you more ways to get in touch with us. Find informational videos at:

 YouTube: [youtube.com/heatstarTV](http://youtube.com/heatstarTV)

HEATSTAR'S full line of products are now at:

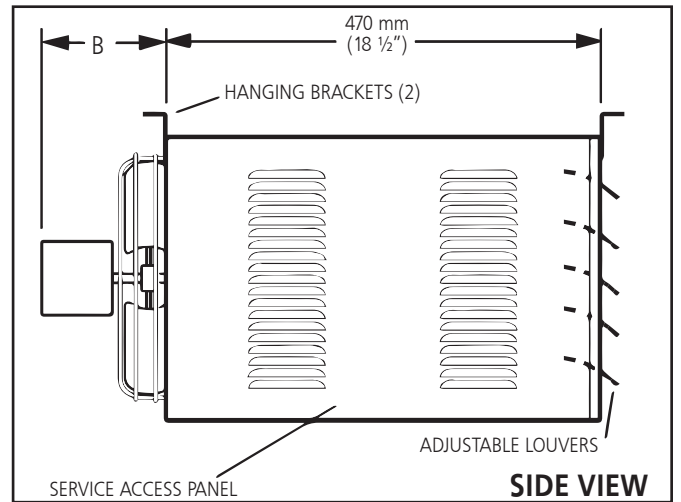
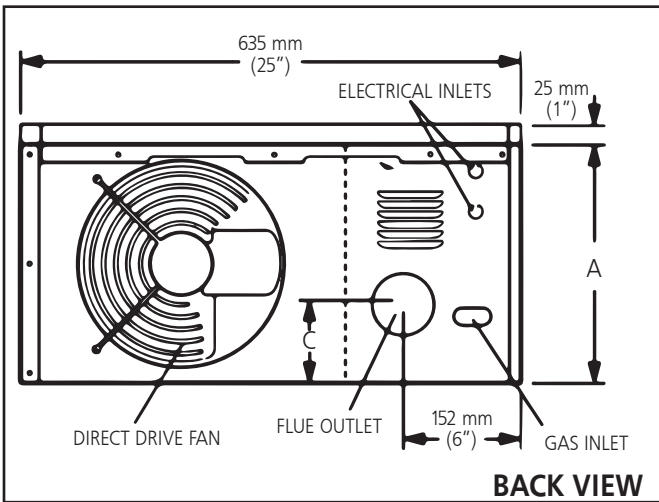
**WWW.HEATSTARBYENERCO.COM**

# UNIT DIMENSIONS



**BACK VIEW & SIDE VIEW, VARIABLE DIMENSIONS**

	50	80	125
A	12" (305)	17" (432)	24.67" (626.8)
B	5.5" (140)	6.5" (165)	8.08" (205.25)
C	4.25" (108)	6.75" (171)	9.43" (239.61)



## START-UP AND PERFORMANCE CHECK LIST

Job Name: \_\_\_\_\_ Job No.: \_\_\_\_\_ Date: \_\_\_\_\_

Job Location: \_\_\_\_\_ City: \_\_\_\_\_ State/Province: \_\_\_\_\_

Installer: \_\_\_\_\_ City: \_\_\_\_\_ State/Province: \_\_\_\_\_

Unit Model No.: \_\_\_\_\_ Serial No.: \_\_\_\_\_ Service Technician: \_\_\_\_\_

Electrical Connections Tight? \_\_\_\_\_ Flue Connections Tight? \_\_\_\_\_

Supply Voltage \_\_\_\_\_ Fan Timer Operation Checked? \_\_\_\_\_

Gas Piping Connections Tight & Leak-Tested? \_\_\_\_\_ THERMOSTAT Calibrated? \_\_\_\_\_

Motor Amps \_\_\_\_\_ Heat Anticipator Properly Set? \_\_\_\_\_

Furnace BTU input \_\_\_\_\_ Level? \_\_\_\_\_

Line Pressure \_\_\_\_\_

Manifold Pressure W.C. \_\_\_\_\_

## SHIPPING

The heater is completely assembled. Installation instructions, two mounting brackets (shipped loose), and a flue transition are included. Check the unit for shipping damage. The receiving party should contact the last carrier immediately if any shipping damage is found.

## REQUIREMENTS – CSA IN THE USA

Installation of gas unit heaters must conform with local building codes or, in the absence of local codes, with the current National Fuel Gas Code ANSI Z223.1.

Installation in aircraft hangers must be in accordance with the current Standard for Aircraft Hangers ANSI/NFPA No. 409.

Installation in parking structures must be in accordance with the current Standard for Parking Structures ANSI/NFPA No. 88A.

Installation in repair garages must be in accordance with the current Standard for Repair Garages ANSI/NFPA No. 88B.

These units are approved for residential applications. For installation in a residential garage these units must be installed so that the bottom of the heater is located no less than 8 feet (2.438m) above floor. Heater must be located or protected to avoid physical damage by vehicles. Refer to the National Fuel Gas Code, ANSI Z223.1, current edition.

Authorities having jurisdiction should be consulted before NFPA installation. Air for combustion and ventilation must conform to the methods outlined in ANSI Z223.1, section 5.3, Air for Combustion and Ventilation, or applicable provisions of local building codes. The National Fuel Gas Code is available from:

American National Standard Institute Inc.  
11 West 42nd Street  
New York, NY 10036

These units are CSA International design certified. These unit heaters are certified for installation to combustible material as listed in **table 1** and on unit rating plate. Accessibility and service clearances must be observed in addition to fire protection clearances.

All electrical wiring and ground for unit must be in accordance with the regulations of the current National Electric Code ANSI/No. 70.

The National Electric Code is available from:

National Fire Protection Association  
1 Batterymarch Park  
PO Box 9101  
Quincy, MA 02269-9101

**TABLE 1  
UNIT CLEARANCES**

Top		Sides		Access Panel	
in	mm	in	mm	in	mm
1	25	1	25	18	457
Bottom		Rear			
in	mm	in	mm		
0	0	18	456		

## REQUIREMENTS – CSA IN CANADA

The instructions are intended only as a general guide and do not supersede local codes in any way. Authorities having jurisdiction should be consulted before installation. The installation must conform with local building codes or in the absence of local codes, with the current CSA B149.1, Natural Gas and Propane Installation Code. All electrical wiring and grounding for the unit must also comply with the Canadian Electrical Code CSA C22.1, current edition.

These heaters are CSA International certified for the clearances to combustible material listed on the rating plate and **table 1**. Provide adequate clearance around air openings into the combustion chamber, clearances from combustible material, and provisions for accessibility and for combustion and ventilation air supply. Provision shall be made for service accessibility to the heater. Note that fire protection clearances may be exceeded to provide additional space for service and accessibility.

## GARAGE INSTALLATIONS

Installation in parking structures must be in accordance with the current Standard for Parking Structures ANSI/NFPA No. 88A.

Installation in repair garages must be in accordance with the current Standard for Repair Garages ANSI/NFPA No. 88B.

1. In a storage area, clearance from heaters to combustible materials must be such that the material shall not attain a temperature above 160 F by continuous operation of the unit.
2. Eight foot minimum clearance from the floor to the bottom of the heater must be maintained. Refer to the CSA B149.1, Natural Gas and Propane Installation Code.

## AIRCRAFT HANGER INSTALLATIONS

Installation of gas unit heaters must conform with local building codes or, in the absence of local codes, with the current National Fuel Gas Code ANSI Z223.1.

1. In an area where aircraft are housed or serviced, 10' minimum clearance from highest surface of aircraft to bottom of the heater must be maintained.
2. In other areas, 8' minimum clearance from the floor to bottom of heater must be maintained.
3. Heaters should be located so as to be protected from damage from aircraft or other appliances needed for servicing of aircraft. Refer to requirements of the enforcing authorities.



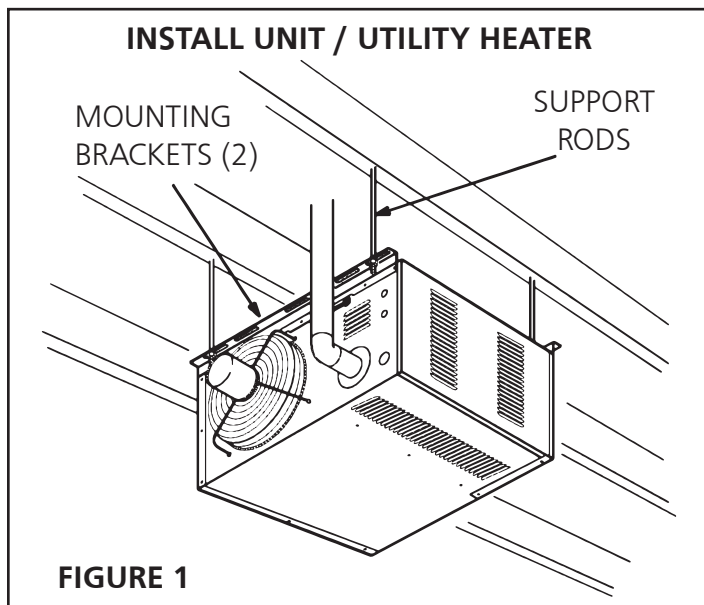
These units are certified for residential applications. For installation in a residential garage, these units must be installed so that burners and ignition source are located no less than 18" (457mm) above floor. Heater must be located or protected to avoid physical damage by vehicles. Refer to CSA B149.1, Natural Gas and Propane Installation Code current edition.

**IN CANADA:** In a confined area, the heater must be installed in accordance with the CSA B149.1, Natural Gas and Propane Installation Code. Be sure to check with local codes and ordinances for additional requirements.

## UNIT HEATER INSTALLATION

Unit is shipped ready for installation. Unit may be installed as shown in **figure 1** or inverted 180° depending on desired location as governed by clearances, vent connection, air direction, gas supply, electrical supply and service accessibility.

1. If installing unit in an inverted position: Remove and retain screws securing door and rotate door 180°. Secure with retained screws. Rotate louvers directing airflow as desired.
2. Choose location for mounting brackets.
3. Remove and retain three screws along top edge (bottom edge when inverted) of front of unit.
4. Align screw holes on mounting bracket with holes along top edge (either upright or inverted) of unit. Secure one mounting bracket to front of unit with retained screws. Secure other mounting bracket to back of unit with screws retained on the back of unit.
5. To support unit, secure mounting bracket to ceiling joist or truss. Unit may also hang on rods as shown in **figure 1**.



## COMBUSTION & VENTILATION AIR

Adequate facilities for supplying air for combustion and ventilation must be provided in accordance with the latest edition of section 5.3, Air for Combustion and Ventilation, of the National Fuel Gas Code, ANSI Z223.1, in the U.S.A., CSA B149.1 Natural Gas and Propane Installation Code, or applicable provisions of local building codes.

All gas fired appliances require air to be used for the combustion process. In many buildings today, there is a negative indoor air pressure caused by exhaust fans, etc. If sufficient quantities of

combustion air are not available, the heater or another appliance will operate in an inefficient manner, resulting in incomplete combustion which can result in the production of excessive carbon monoxide.

**CAUTION:** Insufficient combustion air can cause headaches, nausea, dizziness, asphyxiation or death.

If indoor air is to be used for combustion, it must be free of the following substances or the life of the heat exchanger will be adversely affected: chlorine, carbon tetrachloride, cleaning solvent, halogen refrigerants, acids, cements and glues, printing inks, fluorides, paint removers, varnishes, or any other corrosives.

## VENTING

### A – GENERAL RECOMMENDATIONS AND REQUIREMENTS

**NOTE:** The vent is a passageway, vertical or nearly so, used to convey flue gases from an appliance, or its vent connector, to the outside atmosphere. The vent connector is the pipe or duct that connects a fuel-gas burning appliance to a vent or chimney.

Unit heaters must be vented in compliance with all local codes or requirements of the local utility, the current standards of the (American) National Fuel Gas Code, ANSI Z223.1 or (Canada) CSA B149.1 Natural Gas and Propane Installation Code, and the following instructions.

Do not intermix different vent system parts from different manufacturers in the same venting system.

Vent connectors serving Category I and Category II Appliances shall not be connected into any portion of mechanical draft systems operating under positive pressure.

A metal stamped/extruded transition is supplied with this certified unit. It must not be modified or altered and must be installed on the outlet of the induced draft blower assembly prior to the installation of the vent or vent connector. Failure to comply with this requirement will void the certification of the unit by the approval agencies. All joints shall be secured with at least two corrosion resistant screws. All joints must be checked for gas tightness after installation.

The heater and the venting system shall be inspected once a year by a qualified service agency.

### B – VERTICAL VENTS USING METAL VENT PIPE – COMMERCIAL AND RESIDENTIAL INSTALLATIONS

HSU compact unit heaters are listed as Category I appliances for vertical vent installations.

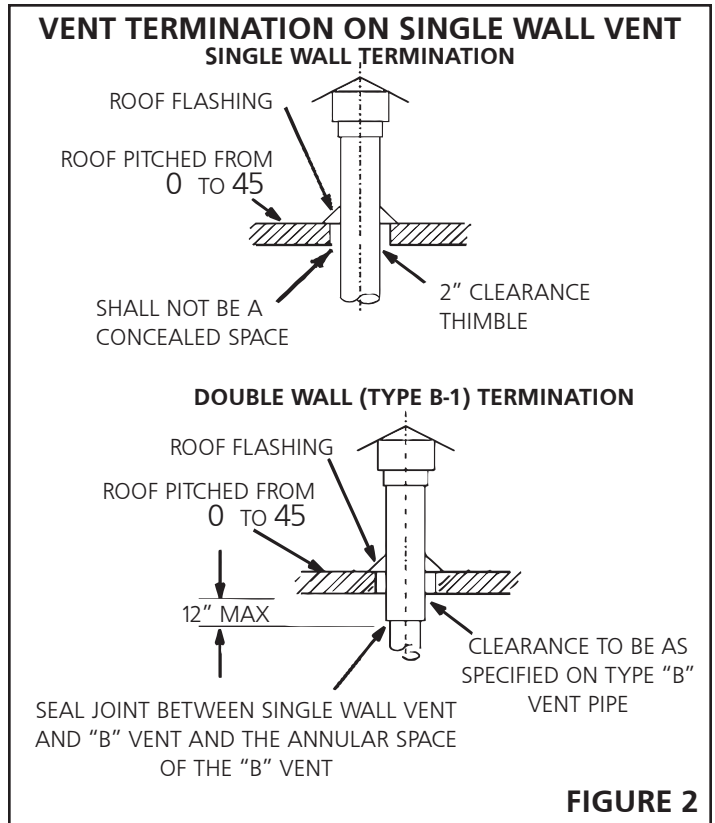
1. **US:** HSU unit heaters are to be used with NFPA- or ANSI-approved chimneys, U.L. listed type B-1 gas vents, single wall metal pipe, or listed chimney lining system for gas venting where applicable, as well as the modifications and limitations listed in figure 2. Seal single wall vent material according to the section A - General Recommendations and Requirements.  
**Canada:** Listed Category I Unit Heaters are to be used with Type B gas vent. Minimum clearances of gas vent from combustible material: 1 inch (25 mm)
2. The vent connector shall be 4" (102 mm) diameter on 50 & 80 & 125k units. In all cases, a flue transition piece (supplied) is required to fit over the outlet of the induced draft assembly on the appliance.
3. Keep the vent connector runs as short as possible with a minimum number of elbows. Refer to the (American) National Fuel Gas Code ANSI Z223.1 or (Canada) CSA B149.1 Natural Gas and Propane

Installation Code for maximum vent and vent connector lengths. Horizontal run of the vent connector from the induced draft blower to the chimney/vent cannot exceed the values in **table 2**.

4. When the length of a single wall vent, including elbows, exceeds 5 feet (1.5m), the vent shall be insulated along its entire length with a minimum of 1/2" thick foil faced fiberglass 1-1/2# density insulation. If a single wall vent is used in an unheated area it shall be insulated. Failure to do so will result in condensation of flue gases.
5. The unit may be vented vertically as a single appliance or as a common vent with other gas-fired appliances. In common venting situations, vent connectors for other appliances must maintain a 4" (100mm) vertical separation between the vent connectors. Refer to common venting tables in the (American) National Fuel Gas Code ANSI Z223.1 or (Canada) CSA B149.1 Natural Gas and Propane Installation Code for proper vent size.
6. Clearance to combustible material is 6" (152mm) for single wall vent material except where a listed clearance thimble is used. Clearance to combustible material for type B-1 vent or factory-built chimney is per manufacturer's instructions.
7. The vent connector shall be supported without any dips or sags. Vertical vents shall be supported in accordance with their listing and manufacturers' instructions. All horizontal vent connector runs shall have a slope up to the vertical vent of at least 1/4" per foot (1mm per 50mm).
8. All vertical type B-1 vents, single wall vents, or listed chimney lining system must be terminated with a listed vent cap or listed roof assembly.
9. The vent must extend at least 3' (1m) above the highest point where it passes through a roof of a building and at least 2' (0.6m) higher than any part of a building within a horizontal distance of 10' (3.05m) unless otherwise specified by the (American) National Fuel Gas Code, ANSI Z223.1 or (Canada) CAN/CGA-B149 Installation Code. The vent must extend at least 5' (1.6m) above the highest connected equipment flue collar.

**TABLE 2**  
**MAXIMUM HORIZONTAL VENT LENGTHS**

No. of Elbows	Feet	m
1	25	7.6
2	20	6.1
3	15	4.6
4	10	3.0
5	5	1.5
Maximum length of vent connector not to exceed 30 ft. (9.1m).		



**FIGURE 2**

**C – HORIZONTAL VENTING – GENERAL**

Due to changes to Z83-8 2009 CSA2.6-2009, the use of single wall B-Vent is no longer permitted as an acceptable material when venting horizontally, this change covers both residential and commercial installations. All horizontally vented units manufactured after July of 2011 must be vented as a Category III Unit/Utility Heater in compliance with UL 1738 & ULS636. Common venting is not allowed when horizontally venting the unit heater.

The minimum horizontal vent length is 3 feet (914mm).

1. If possible, do not terminate the horizontal vent through a wall that is exposed to prevailing wind. Exposure to excessive winds can affect unit performance.
2. Vent termination must be free from obstructions and at least 12" (306mm) above grade level and maximum snow height.
3. Do not terminate vent directly below roof eaves or above a walkway, or any other area where condensate dripping may be troublesome and may cause some staining. Avoid windows where steam may cause fogging or ice buildup.
4. When horizontally vented, minimum clearance for termination from any door, window, gravity air inlet, gas or electric meter, regulators, and relief equipment is 4 ft. (1.2m) for U.S. installations. Refer to NFPA 54/ANSI Z223.1 in the U.S.A. and CSA B149.1 Natural Gas and Propane Installation Code and .2 in Canada or with authorities having local jurisdiction. In Canada, vent termination must have a minimum 6 ft. (1.8 m) horizontal clearance from gas and electric meters and relief devices as specified in the Canadian B149.1, Natural Gas Installation Code.
5. Vent termination must be a minimum of 4' (1.2m) below or 4' (1.2m) horizontally from any soffit vent or under-eave vent.
6. Vent must be a minimum of 6' from an inside corner formed by two exterior walls. If possible, leave a 10' clearance.

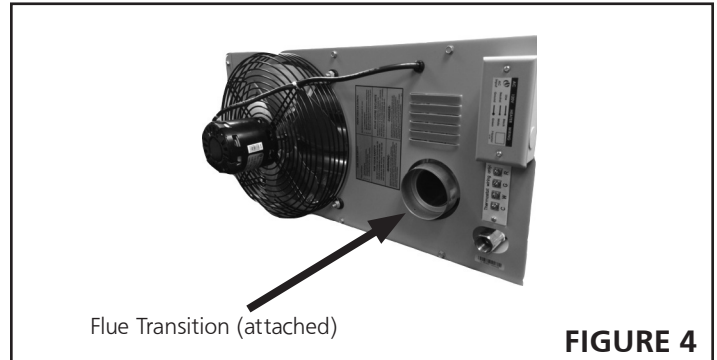
7. Vent termination must be a minimum of 10' (3m) from any forced air inlet (includes fresh air inlet for other appliances, such as a dryer).
8. When termination is routed through an exterior combustible wall the vent must be supported using a listed clearance thimble. Seal the connection between the single wall and double wall pipes and the annular space of the double wall pipe as shown in figure 2. Inside edge of vent termination tee must be at least 12 inches from outside wall as shown in figure 3.
9. For horizontal venting, the vent pipe shall be supported with hangers no more than 3ft. (1m) apart to prevent movement after installation.

## D – HORIZONTAL VENTING – COMMERCIAL

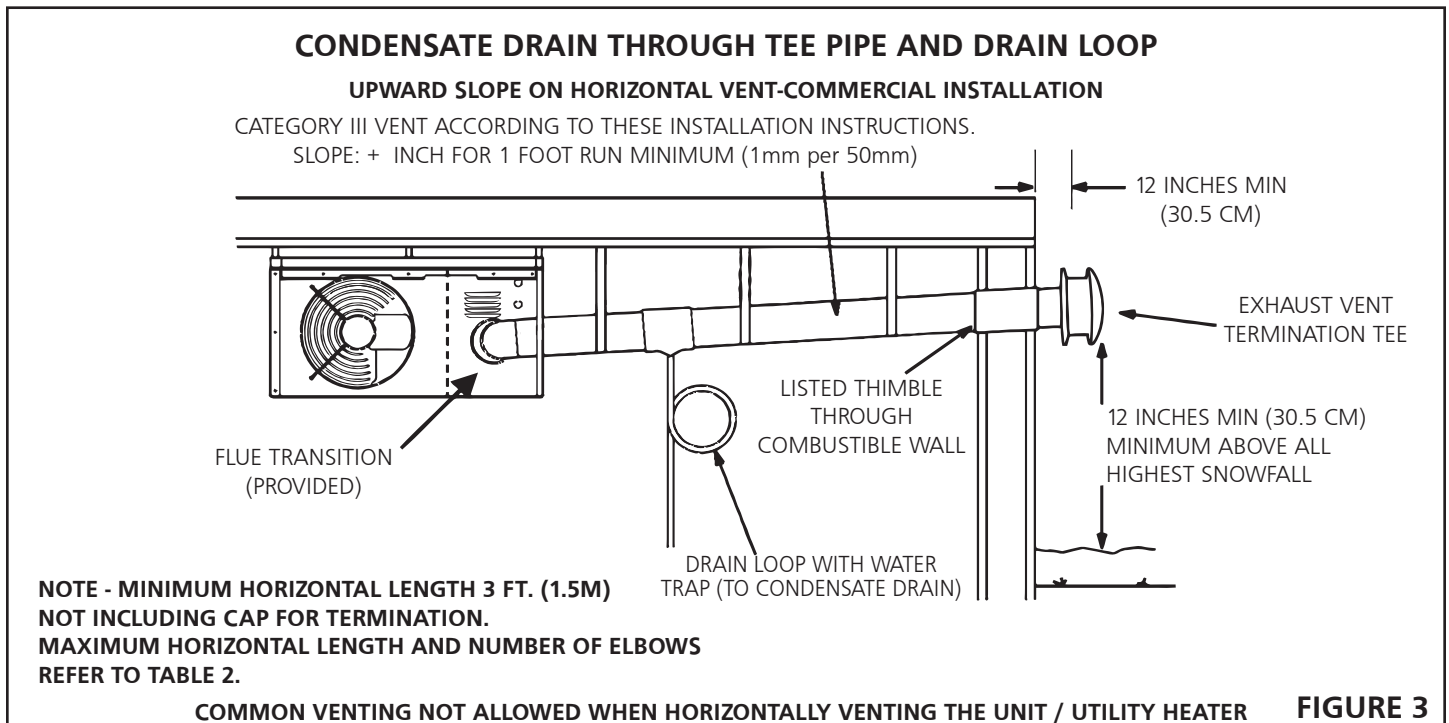
1. Horizontal commercial installations are for buildings which are not attached to living spaces. The vent may be stainless steel sealed single walled cat III vent material and must be installed according to the sections
  - A - General Recommendations and Requirements, and
  - C - Horizontal Venting General, and
  - D - Horizontal Venting - Commercial.
 Refer to figure 3.
2. The vent pipe diameter for horizontal commercial installations shall be 4" (76mm). a transition piece has been supplied and is already attached to your heater. Refer to figure 4
3. Select a wall termination point that will maintain 1/4" rise per foot slope of horizontal run of vent pipe.
4. For upward sloped vent a condensate tee and drain must be installed within the first 5' (1.5m) from the unit heater to protect the appliance. If a flexible condensate drain line is used, the drain line must include a loop entering the structure. If the unit is shut down for an extended period of time and will be exposed to sub-freezing temperatures, the condensate may freeze.

## E – HORIZONTAL VENTING – RESIDENTIAL

1. For horizontal residential installations these units are certified as Category III appliances. Venting A - General Recommendations and Requirements and C - Horizontal Venting General and E - Horizontal Venting - Residential. Refer to figure 5.
2. The vent pipe diameter for horizontal residential installations shall be 4" on all units. A transition piece has been supplied and is already attached to your heater. Refer to figure 4
3. The maximum vent length is 25' (7.6m) plus one 90-degree elbow. The minimum length is 5'(1.5m).
4. The vent must maintain a 1/4" rise per foot of slope (1mm per 50mm). upwards toward the termination.



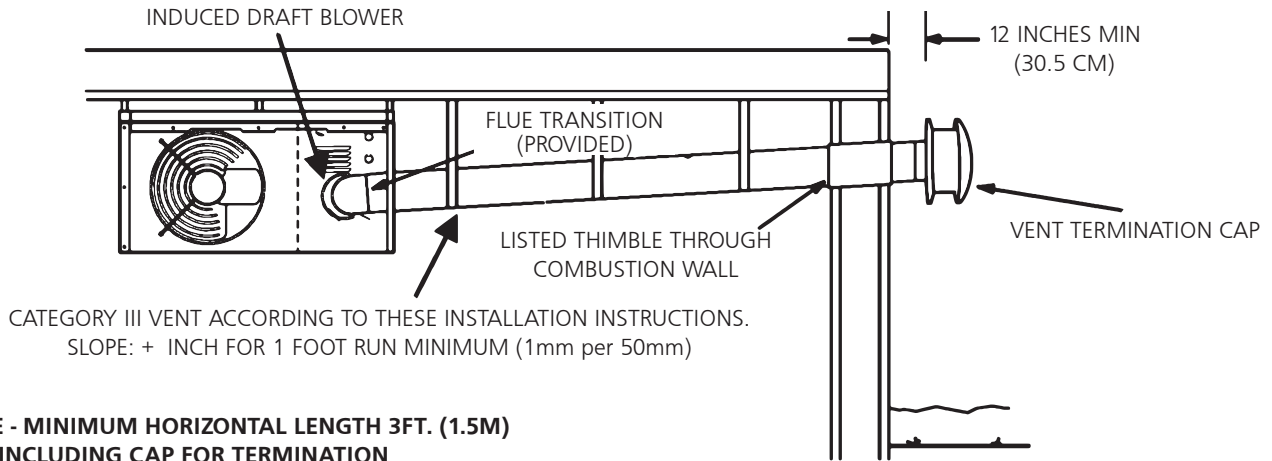
**FIGURE 4**



**FIGURE 3**

## HORIZONTAL VENTING - RESIDENTIAL INSTALLATION

### UPWARD SLOPE



CATEGORY III VENT ACCORDING TO THESE INSTALLATION INSTRUCTIONS.  
SLOPE: + INCH FOR 1 FOOT RUN MINIMUM (1mm per 50mm)

**NOTE - MINIMUM HORIZONTAL LENGTH 3FT. (1.5M)  
NOT INCLUDING CAP FOR TERMINATION**

**MAXIMUM HORIZONTAL LENGTH AND NUMBER OF ELBOWS REFER TO TABLE 2**

**COMMON VENTING NOT ALLOWED WHEN HORIZONTALLY VENTING THE UNIT / UTILITY HEATER**

**FIGURE 5**

## F – VENTING USING A MASONRY CHIMNEY

The following additional requirements apply when a lined masonry chimney is being used to vent the compact unit / utility heater.

1. Masonry chimneys used to vent Category I units heaters must be either tile-lined or lined with a listed metal lining system or dedicated gas vent. Unlined masonry chimneys are prohibited. A category I appliance must never be connected to a chimney that is servicing a solid fuel appliance. If a fireplace chimney flue is used to vent this appliance, the fireplace opening must be permanently sealed.
2. A fan assisted unit heater may be commonly vented into an existing lined masonry chimney provided:
  - The chimney is currently serving at least one draft-hood equipped appliance.
  - The vent connector and chimney are sized in accordance with venting tables in the (American) National Fuel Gas Code ANSI Z223.1 or (Canada) CSA B149.1 Natural Gas and Propane Installation Code.

**IMPORTANT** Single appliance venting of a fan assisted unit heater into a tile lined masonry chimney (interior or outside wall) is prohibited. The chimney must first be lined with either type B-1 vent or an insulated single wall flexible vent lining system, sized in accordance with venting tables in the (American) National Fuel Gas Code ANSI Z223.1 or (Canada) CSA B149.1 Natural Gas and Propane Installation Code.

3. A type B-1 vent or masonry chimney liner shall terminate above the roof surface with a listed cap or a listed roof assembly in accordance with the terms of their respective listings and the vent manufacturer's instructions.
4. Do not install a manual damper, barometric draft regulator, or flue restrictor between the unit heater and the chimney.
5. If type B-1 double-wall vent is used inside a chimney, no other appliance can be vented into the chimney. Outer wall of type B-1 vent pipe must not be exposed to flue products.
6. Insulation for the flexible vent pipe must be an encapsulated fiberglass sleeve recommended by the flexible vent pipe manufacturer.

7. The space between liner and chimney wall should NOT be insulated with puffed mica or any other loose granular insulating material.
8. If type B-1 vent or an insulated flexible vent pipe cannot be used as liners, the chimney must be rebuilt to accommodate one of these methods or some alternate approved method must be found to vent the appliance. When inspection reveals that an existing chimney is not safe for the intended purpose, it shall be rebuilt to conform to nationally recognized standards, lined or relined with suitable materials or replaced with a gas vent or chimney suitable for venting unit heaters. The chimney passageway must be checked periodically to ensure that it is clear and free of obstructions.

## G –REMOVAL OF UNIT FROM COMMON VENT

In the event that an existing unit heater is removed from a venting system commonly run with separate gas appliances, the venting system is likely to be too large to properly vent the remaining attached appliances. The following test should be conducted while each appliance is in operation and the other appliances are not in operation, yet remain connected to the common venting system. If the venting system has been installed improperly, the system must be corrected.

1. Seal any unused openings in the common venting system.
2. Visually inspect the venting system for proper size and horizontal pitch. Determine there is no blockage or restriction, leakage, corrosion, or other deficiencies which could cause an unsafe condition.
3. If practical close all building doors and windows and all doors between the space in which the appliances remaining connected to the common venting system are located and other spaces of the building. Turn on clothes dryers and any appliances not connected to the common venting system. Turn on any exhaust fans, such as range hoods and bathroom exhausts, so they will operate at maximum speed. Do not operate a summer exhaust fan. Close fireplace dampers.
4. Follow the lighting instructions. Place the appliance being inspected in operation. Adjust thermostat so appliance will operate continuously.

5. Test for spillage at the draft hood relief opening after five minutes of main burner operation. Use the flame of a match or candle, or smoke from a cigarette, cigar, or pipe.
6. After it has been determined that each appliance remaining connected to the common venting system properly vents when tested as outlined above, return doors, windows, exhaust fans, fireplace dampers and any other gas-burning appliance to their previous condition of use.
7. If improper venting is observed during any of the above tests, the common venting system must be corrected. The common venting system should be re-sized to approach the minimum size as determined by using the appropriate tables

## ELECTRICAL CONNECTIONS

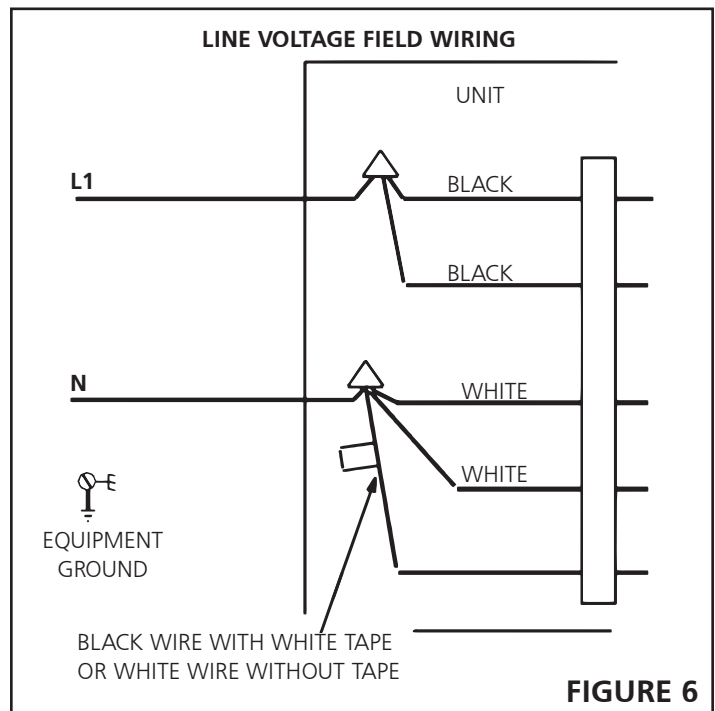
**NOTE:** The HSU series unit/utility heaters use a direct spark ignition system. There is no pilot necessary as the spark lights the main burner as the gas valve is turned on. The direct spark ignition control board emits radio noise during burner ignition. The level of energy may be enough to disturb a logic circuit in a microprocessor controlled thermostat. It is recommended that an isolation relay be used when connecting the unit heater to a microprocessor controlled thermostat. Select circuit protection and wire size according to the unit rating plate. Install a separate disconnect switch (protected by either fuse or circuit breaker) near the unit so that power can be turned off for servicing. Remove electrical junction box cover and connect wiring through knockout on the junction box located on the side of the heater. Refer to heater wiring diagram for connection information. Use 18 gauge wire or larger for line power connections. Make sure to connect line power to wires located in the external electrical junction box behind junction box cover. **DO NOT CONNECT LINE POWER TO THERMOSTAT TERMINAL STRIP ON OUTSIDE OF HEATER.**

Electrically ground the unit in accordance with local codes or in the absence of local codes, in accordance with the current National Electrical Code (ANSI/NFPA No. 70) in the USA, and in Canada with the current Canadian Electrical Code, Part 1 CSA C22.1

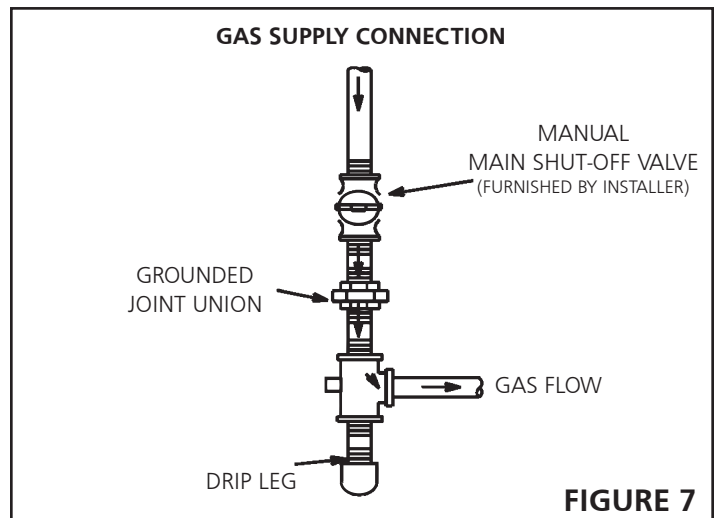
**NOTE:** Un-insulated ground wire must be wrapped in electrical tape to avoid damage to the electrical system.

Make line voltage connections as shown in figure 6. Connect field wiring as shown on wiring diagram on unit. Also, refer to typical diagram in this manual.

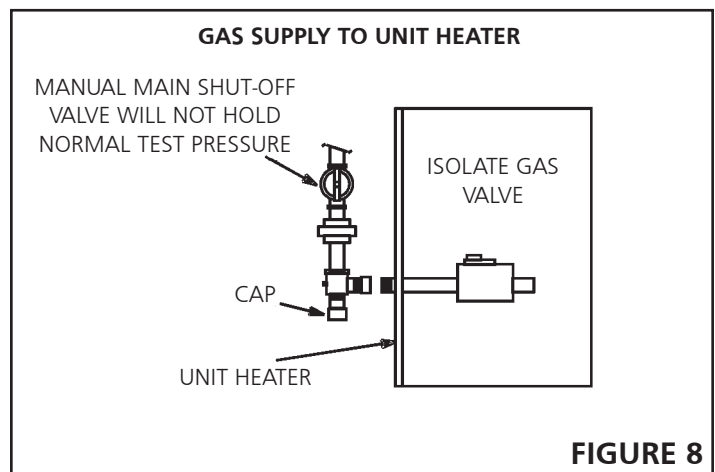
To use the blower for air circulation only, your thermostat must have a "fan only" or fan selection setting. In case your thermostat has this option, an additional wire should be run to the "G" terminal on the thermostat connection block. See wiring schematic on page 13.



**FIGURE 6**





**FIGURE 7**





**FIGURE 8**



<b>⚠ WARNING</b>	
	<b>Electric shock hazard. Can cause injury or death. Do not use this heater if any part has been under water. Immediately call a qualified service technician to inspect the furnace and to replace any part of the control system and any gas control which has been under water.</b>

<b>⚠ WARNING</b>	
	<b>Danger of explosion. Can cause injury or product or property damage. If over-heating occurs or if gas supply fails to shut off, shut off the manual gas valve to the appliance before shutting off electrical supply.</b>

<b>⚠ WARNING</b>	
	<b>Electric shock hazard. Can cause injury or death. Before attempting to perform any service or maintenance, turn the electrical power to unit OFF at disconnect switch(es). Unit may have multiple power supplies.</b>

<b>⚠ WARNING</b>	
	<b>Danger of explosion and fire. Can cause injury or product or property damage. You must follow these instructions exactly.</b>

## GAS CONNECTIONS

When connecting gas supply lines, the length of the piping run from the meter to the heater must be considered in determining the pipe size to avoid excessive pressure drop. A line pressure of 7" WC (178mm WC) for natural gas should be maintained when sizing the piping.

A line pressure of 13" WC (330mm WC) should be maintained for propane (LP) gas. NOTE: Compounds used on threaded joints or gas piping must be resistant to the actions of Liquefied petroleum gasses.

<b>⚠ WARNING: TO PREVENT HEATER DAMAGE. WHEN USING A PROPANE TANK TO SUPPLY HEATER, A MINIMUM 11"W.C. LOW PRESSURE REGULATOR TO A MAXIMUM 14"W.C. LOW PRESSURE REGULATOR IS REQUIRED. THIS REGULATOR MUST BE INSTALLED BETWEEN THE TANK AND THE HEATER. Regulator not supplied with heater.</b>
---

For correct sizing of piping, refer to the (American) National Fuel Gas Code ANSI Z223.1, or (Canada) CSA B149.1, National Gas and Propane Installation Code or consult the utility having jurisdiction.

A drip leg should be installed in the vertical pipe run to the unit. In some localities, codes may require that a manual main shutoff valve and union (furnished by installer) be installed external to the unit. Union must be of the ground joint type. A drip leg should be readily accessible to permit cleaning and emptying. See figure 7.

NOTE: Leave a min of 4" clearance to the electrical connections box on the back of the heater to allow for access.

A 1/8" NPT plugged tap shall be installed immediately upstream of the gas supply connection to the heater. The purpose of this is to be able to check for proper gas pressure entering the heater.

## LEAK CHECK

**CAUTION** DO NOT use matches, candles, flame or other sources of ignition to check for gas leaks.

After gas piping is completed, carefully check all piping connections, (field and factory), for gas leaks. Use a soap solution or other preferred means.

Due to the natural heating cycles and vibration of this unit it is recommended, as part of its annual maintenance, to check these connections for proper tightness and leak-check with a soap solution or other preferred means prior to putting into service.

**IMPORTANT** The heater and its individual shut off valve must be disconnected from the gas supply piping system during any pressure testing of that system at test pressures in excess of 1/2 psig (3.45kPa).

The appliance must be isolated from the gas supply piping system by closing its individual manual gas shutoff valve during any pressure testing of the gas supply system at test pressures equal to or less than 1/2 psig (3.45kPa). See **figure 8**.

**NOTE** In case emergency shutdown is required, shut down main gas valve and disconnect main power to unit. These devices should be properly labeled by the installer.

## START-UP OPERATION

### UNIT START-UP

FOR YOUR SAFETY READ BEFORE LIGHTING

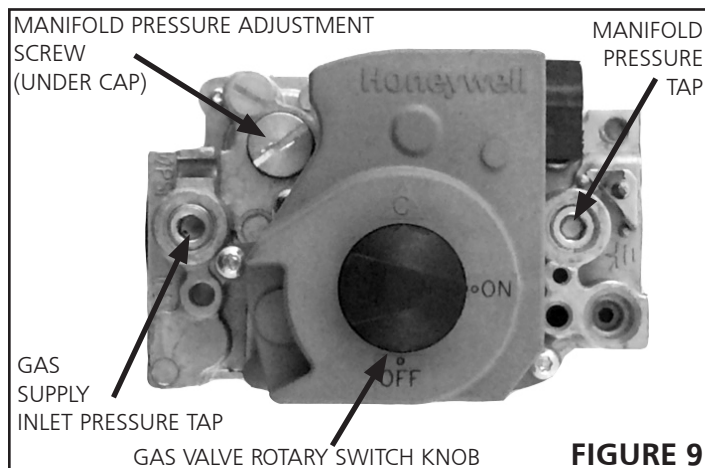
**BEFORE LIGHTING** smell all around the appliance area for gas. Be sure to smell next to the floor because some gas is heavier than air and will settle on the floor.

Use only your hand to move the gas control knob to the on position. Never use tools. Do not use excessive force to switch valve from off to on position. Force or attempted repair may result in a fire or explosion.

HSU 50/80/125 unit heaters are equipped with an automatic spark ignition system. There is no pilot. In case of a safety shutdown, move thermostat switch to OFF, then return the thermostat switch to HEAT position.

Should overheating occur, or the gas supply fail to shut off, shut off the manual gas valve to the appliance before shutting off the electrical supply.

### GAS VALVE OPERATION FOR HONEYWELL VR8205M SERIES VALVE



**FIGURE 9**

1. **STOP!** Make sure you have read and understand all of the safety information regarding the operation of this gas appliance. Any and all service should be performed by a licensed installer
2. Set the thermostat to lowest setting.
3. Turn off all electrical power to appliance.
4. This appliance is equipped with an ignition device which automatically lights burner. **DO NOT** attempt to light the burners manually.
5. There is a black rotary switch knob that can be moved between the on and off position. Rotate the switch knob to the off position. (See Figure 9)
6. Wait five minutes to clear out any gas. If you then smell gas, **STOP!** Immediately call your gas supplier from a neighbor's phone. Follow the gas supplier's instructions. If you do not smell gas go to next step.
7. Rotate the black switch knob to ON.
8. Turn on electrical power to unit.
9. Set the thermostat to desired setting.
10. The combustion air blower will start. The burners will light within 30 seconds.
11. If unit does not light first time (gas line not fully purged) it will attempt up to two more ignitions before locking out.
12. If lockout occurs, repeat steps 1 through 9.
13. If appliance still will not operate, follow the instructions "TO TURN OFF GAS TO UNIT" and call your service technician or gas supplier.

## TO TURN OFF GAS TO UNIT

1. Set thermostat to lowest level.
2. Turn off all electrical power to unit if service is to be performed.
3. Rotate black knob to OFF position.

## HEATING SEQUENCE OF OPERATION

1. When the thermostat calls for heat, the combustion air blower starts immediately.
2. Combustion air pressure switch proves blower operation before allowing power to the ignition controller. This switch is factory set and no adjustment is necessary.
3. After pre-purge of approximately 30 seconds, the spark ignition is energized and the solenoid valve opens in the gas valve.
4. The spark then ignites the gas, the ignition sensor proves the flame and the combustion process continues.
5. In the event that the flame is not detected after the first 10-second trial for ignition, the controller will repeat steps 3 and 4 an additional two times before locking out the gas valve. **Refer to ignition control board table 3.** Ignition control will then automatically repeat steps 3, 4, and 5 after 60 minutes.

To interrupt the 60-minute lockout period, move thermostat from "HEAT" to "OFF" then back to "HEAT." Heating sequence then restarts at step 1.

6. The burners shall light without noticeable crossover delay. There shall be no flame lifting from the burner heads, flashback or burning within the burner. The flames shall be predominantly blue in color and shall be approximately centered in the tubes with no apparent impingement taking place. If your burner characteristics

do not match those described above. Refer to the trouble shooting sections.

7. The ignition control will energize the fan approximately 45 seconds after ignition is established.
8. After the thermostat demand is satisfied the gas valve is closed; 5 seconds after the demand is satisfied the combustion air blower is shut off.
9. The control center shall shut off the system fan approximately 150 seconds after the gas valve is de-energized.

## IGNITION CONTROL LED

The ignition control board contains a green LED which indicates the following:

**TABLE 3 IGNITION CONTROL LED**

LED	UNIT OPERATION
Slow Flash	Normal Operation - No call for heat.
Fast Flash	Normal Operation - Call for heat Current signal at FLAME terminal 0.6 to 1.0 microamps
2 Flashes	System lockout - failed to detect or sustain flame Current signal at FLAME terminal <0.6 microamps
3 Flashes	Pressure switch failed closed before CAB is energized or failed open after CAB is energized
4 Flashes	High limit or rollout switch open
5 Flashes	Flame sensed and gas valve not energized
Steady Off	Loss of power/Check 3AMP Fuse on circuit board
Steady On	Ignition control failure
*When thermostat is placed in continuous fan mode LED will slowly flash	

## LIMIT CONTROL

The limit control switch is factory set and not field adjustable.

## LOUVER VANE ADJUSTMENTS

Rotate louver vanes to direct airflow upward, downward, straight, or any combination of these directions. When unit is installed in an inverted position, louvers may be positioned in the same manner.

## COMBUSTION AIR PRESSURE SWITCH

This pressure switch checks for proper combustion air blower operation before allowing an ignition trial. The switch is factory set and no field adjustment is necessary. If a 3 flash LED occurs Please make sure your venting is not blocked up. Next, remove the end of the pressure switch tubing from the EXHAUST FAN hose barb. There might be an obstruction in the hose barb opening clear out the opening with a thin object that will fit inside the hose barb. Push that through the length of the hose barb PLUS at least another 1/2 inch, into the exhaust fan housing. This will clear out anything stopping the vacuum from engaging the pressure switch.

## FLAME ROLLOUT SWITCH

The flame rollout switch(es) are located on the burner box top, behind the ignition control board. This normally closed switch opens on a temperature rise. Check for adequate combustion air before manually resetting switch.



## HIGH ALTITUDE

Units may be fired at full input up to 2000 ft. (610m) above sea level. Above 2000 ft. (610m), manifold pressure must be adjusted on some units. Adjust pressure regulator to pressure shown in **table 4** for natural gas and **table 5** for LP/propane gas.

Table 4 NATURAL GAS MANIFOLD PRESSURES - IN. W.C.. (KPA)		
HSU 50/80/125	ALTITUDE FT. (M)	
	0-2000 (0-610)	2000-4500 (610-1370)
HSU 50/80/125	4.0"WC (0.99 KPA)*	3.6"WC (0.89 KPA)
*NO ADJUSTMENT REQUIRED		

Table 5 LP/PROPANE GAS MANIFOLD PRESSURES - IN.W.C.. (KPA)		
HSU 50/80/125	ALTITUDE FT. (M)	
	0-2000 (0-610)	2000-4500 (610-1370)
HSU 50/80/125	10"WC (2.62 KPA)*	8.5"WC (2.12KPA)
*NO ADJUSTMENT REQUIRED		

## GAS FLOW

To check for proper gas flow to the combustion chamber, determine the Btu input from the appliance rating plate. Divide this input rating by the Btu per cubic feet of available gas. Result is the required number of cubic feet per hour. Determine the flow of gas through the gas meter for two minutes and multiply by 30 to get the hourly flow of gas.

## GAS PRESSURE

1. Check gas line pressure with unit firing at maximum rate. A minimum of 5.0" w.c. for natural gas or 10.9" w.c. for LP/propane gas should be maintained for proper unit operation.
2. After line pressure has been checked and adjusted, check manifold pressure. Correct manifold pressure is shown on the unit rating plate. See **figure 9** for gas pressure adjustment screw location. A natural gas to LP/propane gas changeover kit is required to convert unit. Refer to installation instructions provided with changeover kit for conversion procedure.

## SERVICE

**CAUTION** Turn off gas and electrical power to unit before performing any maintenance or service operations on this unit. Remember to follow lighting instructions when putting unit back into operation after service or maintenance.

If any of the original wire as supplied with the appliance must be replaced, it must be replaced with wiring material having a temperature rating of at least 105 C. Do not use this appliance if any part has been under water. Immediately call a qualified service technician to inspect the appliance and replace any gas control which has been under water.

## BURNERS

1. Periodically examine burner flames for proper appearance during the heating season.
2. Before each heating season examine the burners for any deposits or blockage that may have occurred.
3. Clean burners as follows:
  - Turn off both electrical and gas supplies to unit.
  - Disconnect gas supply piping, high tension and sensor leads. Remove gas manifold. Remove burner tray.

- Clean burners as necessary. Make sure that burner heads line up properly to ensure flame crossover. Check spark gap on electrode and adjust if required. The gap should be between 0.110 inch and 0.140 inch (2.79mm to 3.56mm). The gap may be checked with appropriately sized twist drills or feeler gauges.
- Reinstall burner tray, gas manifold, high tension and sensor leads. Reconnect gas supply piping.
- Restore electrical power and gas supply. Follow lighting instructions to light unit. Check burner flame.

## FLUE PASSAGEWAY AND FLUE BOX

The flue passages and flue box should be inspected and cleaned prior to each heating season. The sequence of operation should be as follows:

1. Turn off both electrical and gas supply to unit.
2. Disconnect combustion air blower wiring.
3. Remove screws securing flue box to unit. Remove flue box. If necessary, remove blower assembly from flue box. Clean flue box with wire brush.
4. Remove turbulator retention bracket and turbulators. Clean turbulators with wire brush.
5. Remove burners as described in section "BURNERS" section.
6. Clean tubes with a wire brush.
7. Reassemble unit. The combustion air and flue box gaskets should also be replaced during reassembly.
8. Restore electrical power and gas supply. Follow lighting instructions to light unit. Check operation of unit.

## COMBUSTION AIR BLOWER

Under normal operating conditions, the combustion air blower should be checked and cleaned prior to the heating season with the power supply disconnected. Use a small brush to clean blower wheel.

## ELECTRICAL

1. Check all wiring for loose connections.
2. Check for correct voltage at unit (unit operating).
3. Check amperage draw.

## FLUE AND CHIMNEY

Check all vent and vent connector joints for tightness. Ensure that connections are sealed and that there are no blockages.

## FAILURE TO OPERATE

If unit fails to operate check the following:

1. Is thermostat calling for heat?
2. Is main disconnect closed?
3. Is there a breaker tripped or a fuse blown?
4. Is gas turned on at meter?
5. Is manual shutoff valve open?
6. Is unit ignition system in lock out? If unit locks out again, call service technician to inspect unit.
7. Is pressure switch closed? Obstructed flue will cause unit to shut off at pressure switch. Check flue passage and outlet.

# WIRING DIAGRAM

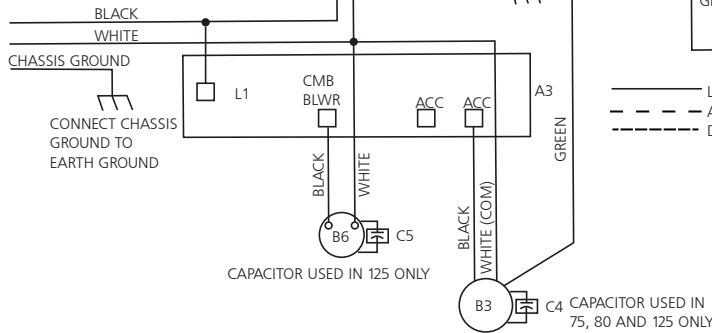
- ⚠ MAXIMUM LOAD NOT TO EXCEED 20VA AT 24V, CLASS 2
- ⚠ (2) S47 USED IN 75, 80 AND 125 ONLY

NOTE - IF ANY WIRE IN THIS APPLIANCE IS REPLACED, IT MUST BE REPLACED WITH WIRE OF LIKE SIZE, RATING AND INSULATION THICKNESS.

WARNING - ELECTRIC SHOCK HAZARD CAN CAUSE INJURY OR DEATH. UNIT MUST BE GROUNDED IN ACCORDANCE WITH NATIONAL AND LOCAL CODES.

DISCONNECT ALL POWER BEFORE SERVICING!

DESCRIPTION	KEY	COMPONENT
A3	CONTROL BOARD (PCB)	
B3	MOTOR CIRCULATION	
B6	MOTOR-COMBUSTION AIR INDUCER	
C4	CAPACITOR-BLOWER MOTOR 1	
C5	CAPACITOR-INDUCED DRAFT MOTOR	
DL36	RELAY-RELAY (N/A TO THESE MODELS)	
GV1	VALVE-GAS	
S10	SWITCH-PRIMARY GAS	
S18	SWITCH-COMB AIR BLOWER	
S47	SWITCH-FLAME ROLLOUT	
T1	TRANSFORMER-CONTROL	

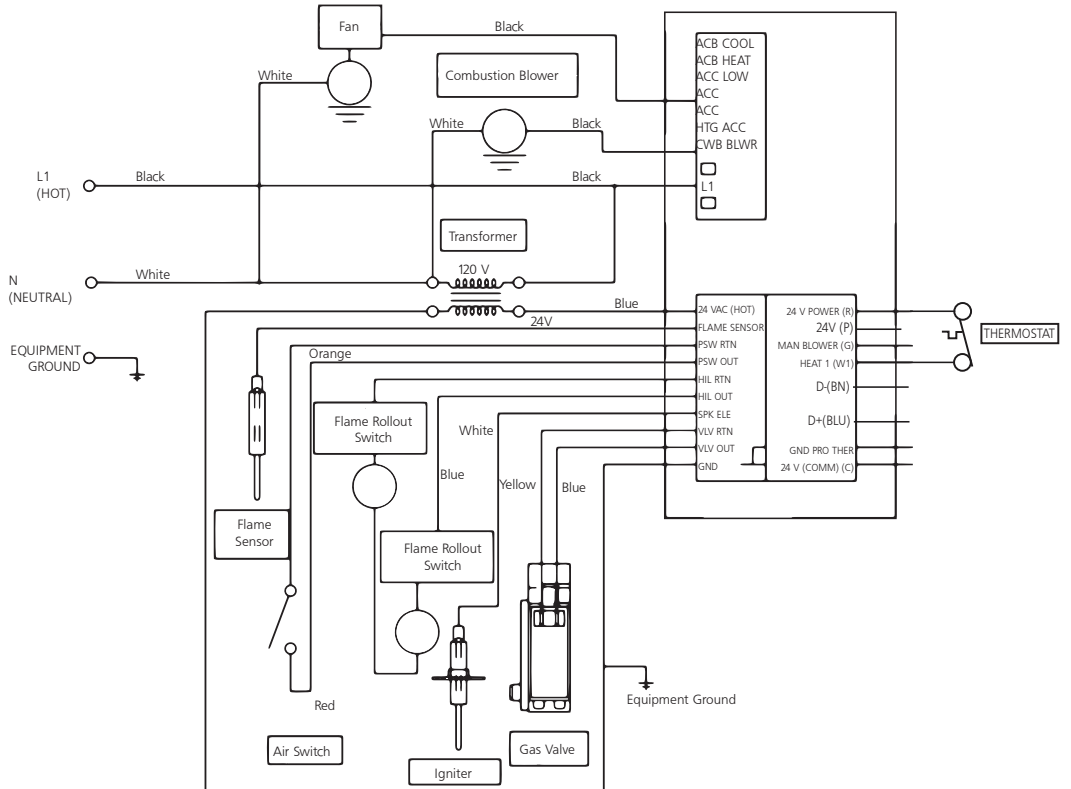


- P 24V Power
- D+ DATA +
- R 24 Vac POWER
- G OPTIONAL FAN CONTROL
- W HEAT 1
- C COMMON
- D- DATA -

## OPTIONAL THERMOSTAT INSTALLATION

IT IS RECOMMENDED TO USE 18AWG WIRE WHEN INSTALLING THE THERMOSTAT. CONNECT ANALOG THERMOSTAT WIRING TO TERMINALS 'R' AND 'W' AS ILLUSTRATED ON THE SCHEMATIC DIAGRAM OR CONNECT A DIGITAL/WiFi THERMOSTAT TO 'R' 'W' 'C' AS ILLUSTRATED. NOTE: THERMOSTAT TERMINAL CONNECTIONS ARE MOUNTED ON THE BACK PANEL OF THE HEATER. EXTERNAL THERMOSTAT TERMINAL STRIP WARNING: **DO NOT** CONNECT LINE POWER TO THE THERMOSTAT TERMINAL STRIP.

# LADDER DIAGRAM



# FUEL CONVERSION INSTRUCTIONS

## FUEL CONVERSION Section 1: FUEL CONVERSION KITS

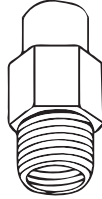
### For Converting from Natural Gas to L.P. Gas

Model Number \_\_\_\_\_ This appliance was converted on \_\_\_\_\_ (Date) to \_\_\_\_\_ Gas  
 with B.I. No. \_\_\_\_\_ by \_\_\_\_\_  
 (Name and address of organization making this conversion), which accepts the responsibility  
 that this conversion has been properly made.  
 (Nom et adresse de l'organisme qui effectue la conversion), qui accepte l'entière responsabilité de  
 la conversion.  
 (Nom et adresse de l'organisme qui effectue la conversion), qui accepte l'entière responsabilité de  
 la conversion.  
 15075

Gas Conversion Labels

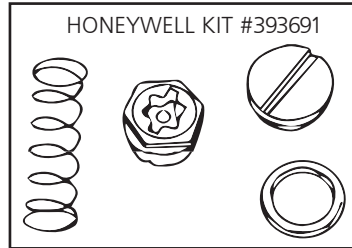
This control valve has been converted for use with \_\_\_\_\_ (Date) \_\_\_\_\_ Gas.  
 Cette commande a été convertie pour fonctionner au gaz \_\_\_\_\_ (Date) \_\_\_\_\_ Gas.

Control Conversion Labels



Orifice

(See P/N Table Below)



Fuel Conversion Part Numbers		
Model #	BTU/HR	Natural - To - LP F260163
HSU 50	50,000	
HSU 80	80,000	
HSU 125	125,000	

Part Number	Description	50	80	125
13575	Gas conversion label	1	1	1
60232	Converted Rating tag	1		
60233	Converted Rating tag		1	
60234	Converted Rating tag			1
11727	Spring - gas valve (label inc.)	1	1	1
60156	L.P. Orifice	3	5	8
13576	Control Conversion Label	1	1	1

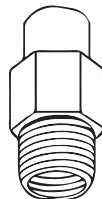
### For Converting from L.P. Gas to Natural Gas

Model Number \_\_\_\_\_ This appliance was converted on \_\_\_\_\_ (Date) to \_\_\_\_\_ Gas  
 with B.I. No. \_\_\_\_\_ by \_\_\_\_\_  
 (Name and address of organization making this conversion), which accepts the responsibility  
 that this conversion has been properly made.  
 (Nom et adresse de l'organisme qui effectue la conversion), qui accepte l'entière responsabilité de  
 la conversion.  
 (Nom et adresse de l'organisme qui effectue la conversion), qui accepte l'entière responsabilité de  
 la conversion.  
 15075

Gas Conversion Labels

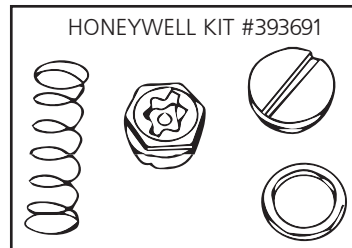
This control valve has been converted for use with \_\_\_\_\_ (Date) \_\_\_\_\_ Gas.  
 Cette commande a été convertie pour fonctionner au gaz \_\_\_\_\_ (Date) \_\_\_\_\_ Gas.

Control Conversion Labels



Orifice

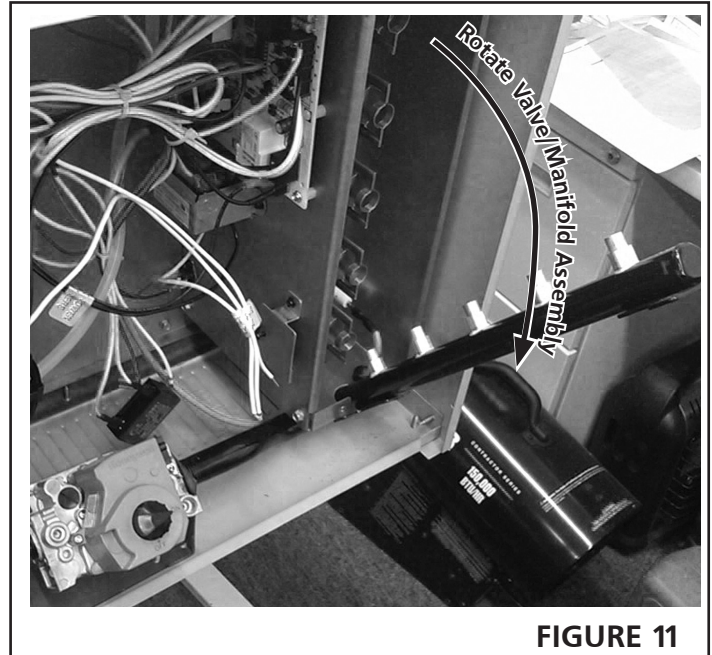
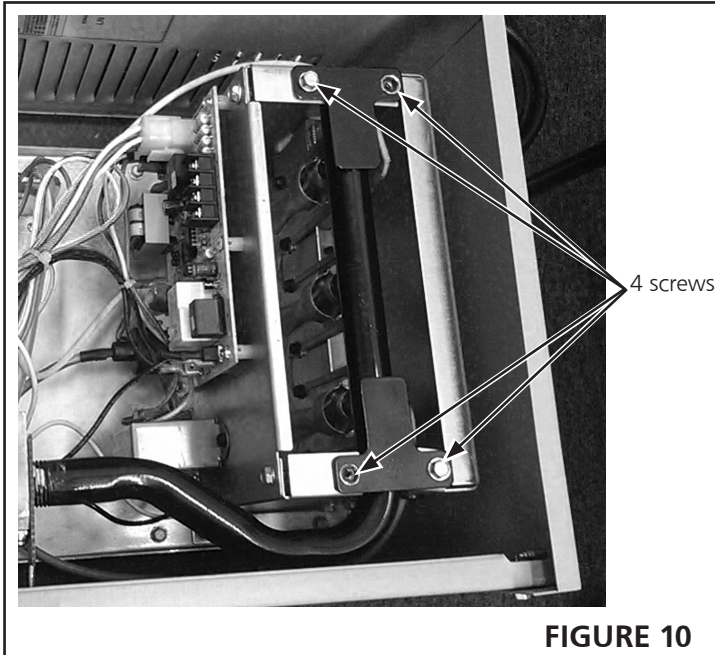
(See P/N Table Below)



Fuel Conversion Part Numbers		
Model #	BTU/HR	LP - To - Natural F260164
HSU 50	50,000	
HSU 80	80,000	
HSU 125	125,000	

Part Number	Description	50	80	125
13575	Gas conversion label	1	1	1
60235	Converted Rating tag	1		
60236	Converted Rating tag		1	
60237	Converted Rating tag			1
11727	Spring - gas valve (label inc.)	1	1	1
60049	L.P. Orifice	3	5	8
13576	Control Conversion Label	1	1	1

## FUEL CONVERSION Section 2: FUEL CONVERSION INSTRUCTIONS



### **⚠ WARNING: Explosion Hazard**



Turn off the gas supply to the heater before performing any service or maintenance.

Failure to follow these instructions will result in death, injury or property damage.

### **⚠ WARNING: Electrical Shock Hazard**



Unplug the electrical cord from the outlet before performing any service maintenance.

Failure to follow these instructions will result in death, injury or property damage.

**The electrode and sensor are not adjustable. DO NOT change location or position as part of this conversion kit.**

### **WARNING**

This conversion kit shall be installed by a qualified service agency in accordance with the manufacturer's instructions and all applicable codes and requirements of the authority having jurisdiction. If the information in these instructions is not followed exactly, a fire, explosion or production of carbon monoxide may result causing property damage, personal injury or loss of life. The qualified service agency performing this work assumes responsibility for the proper conversion of this appliance with this kit.

### **Step 1**

**CAUTION THE UNIT MUST NOT BE CONNECTED TO EITHER THE GAS SUPPLY OR THE ELECTRICAL POWER SUPPLY, BEFORE PROCEEDING WITH CONVERSION.**

### **Step 2**

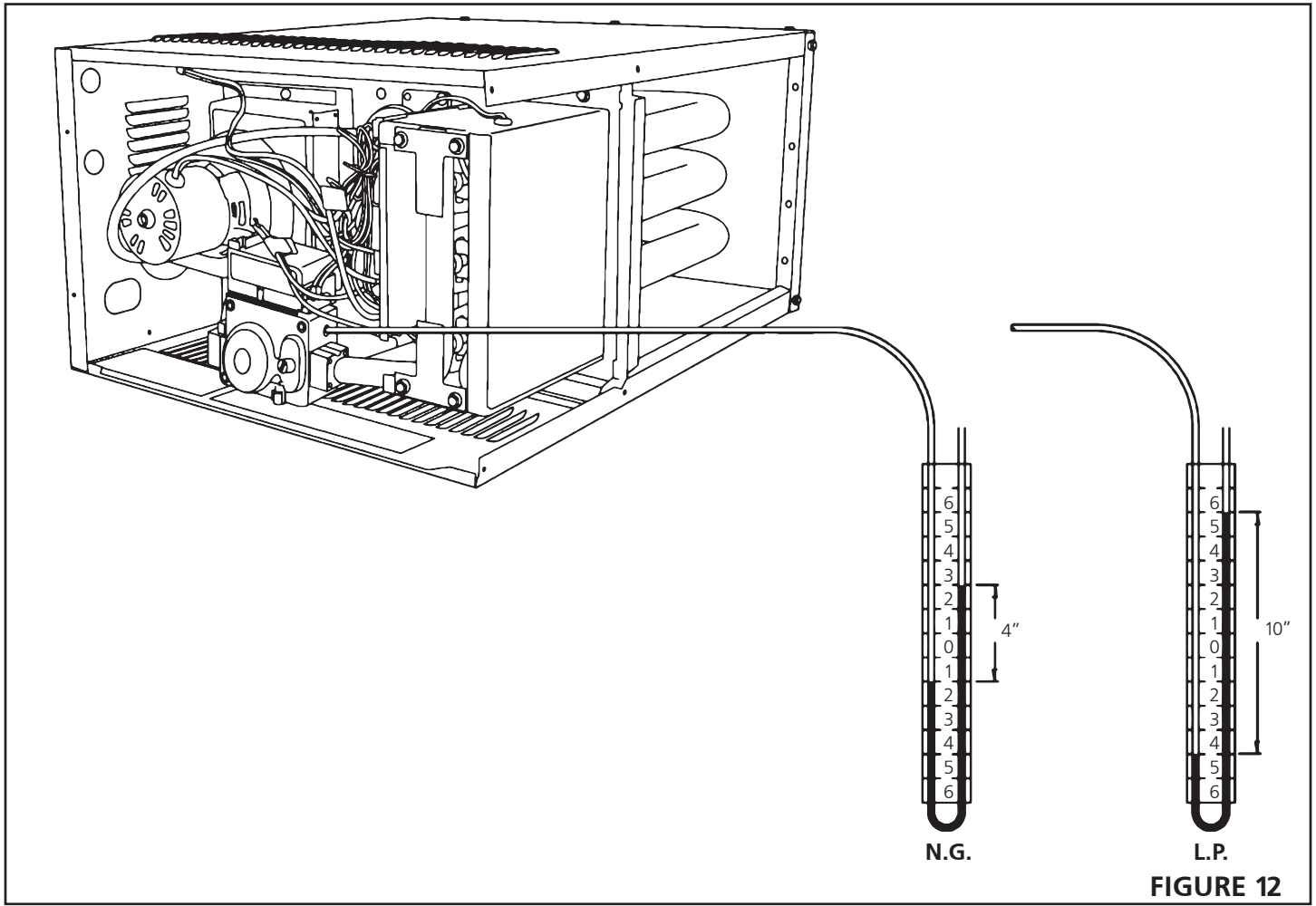
Remove and retain the four screws holding the manifold on to the burner box (Figure 10). Rotate the valve/ manifold assembly, away from the burners (Figure 11). The valve/manifold assembly holds the orifices (3 orifices on unit HSU50, 5 orifices on unit HSU80, 8 orifices on unit HSU125). This will allow access to the orifices on the manifold, and also the adjustment spring in the valve/regulator.

### **Step 3**

Remove and discard the adjustment spring cap from gas valve/ regulator with a flat blade screw driver by turning the screw counter-clockwise. Remove and discard the regulator adjustment screw found under the cap. Remove and discard the spring that is located under the adjustment screw. Take the spring kit from the conversion kit, and compare the part number of the kit to the parts list on page 3. If it does not match, immediately contact Heatstar, Inc. for the correct kit. After confirming the spring kit is correct for the heater model you are converting, install the new spring and adjustment screw. Turn spring adjustment screw clockwise (in) until the screw stops, then turn it counter-clockwise (back) 1 ½ turns. Place conversion label supplied with the spring kit on the valve near the adjustment screw cover opening.

### **Step 4**

Remove and discard the orifices (3 orifices on unit HSU50, 5 orifices on unit HSU80, 8 orifices on unit HSU125) from the manifold with using a ½ " open end wrench. Turn them counter-clockwise to remove. Take the new orifices from the conversion kit and before installing, confirm that the number stamped on the side of the orifice matches the number for the kit being installed. If it does not, immediately contact Heatstar, Inc. for the correct kit. If they are the correct orifices, install them in the manifold using caution not to cross thread.



**FIGURE 12**

**Step 5**

Rotate the valve/ manifold assembly back up into the burner box, making sure that all the orifices are indexed into the burners and are not caught on the locating ring on the back of each burner. Secure the manifold to the burner box with the four screws removed in step 2.

**Step 6**

Following the instructions in the unit heaters operations manual mount the heater and connect the gas supply (making sure to leak check all connections with soapy water).

**Step 7**

Remove valve pressure test plug and retain for later use. Connect a water-filled U-tube manometer to the test port. See Figure 12. Use a manometer because test gauges are not reliable and may give a false reading.

**Step 8**

Connect main electrical power supply, and turn main gas supply on.

**Step 9**

Turn up the thermostat to call for heat, thereby starting the ignition sequence for the heater.

**Step 10**

When the burners light, set the manifold gas pressure by turning the adjustment screw to the regulator spring that was replaced in step 6. Once the pressure has been adjusted, replace the adjustment screw cover with a new one from the conversion kit.



**Decrease Pressure  
Counter-Clockwise**



**Increase Pressure  
Clockwise**

**Step 11**

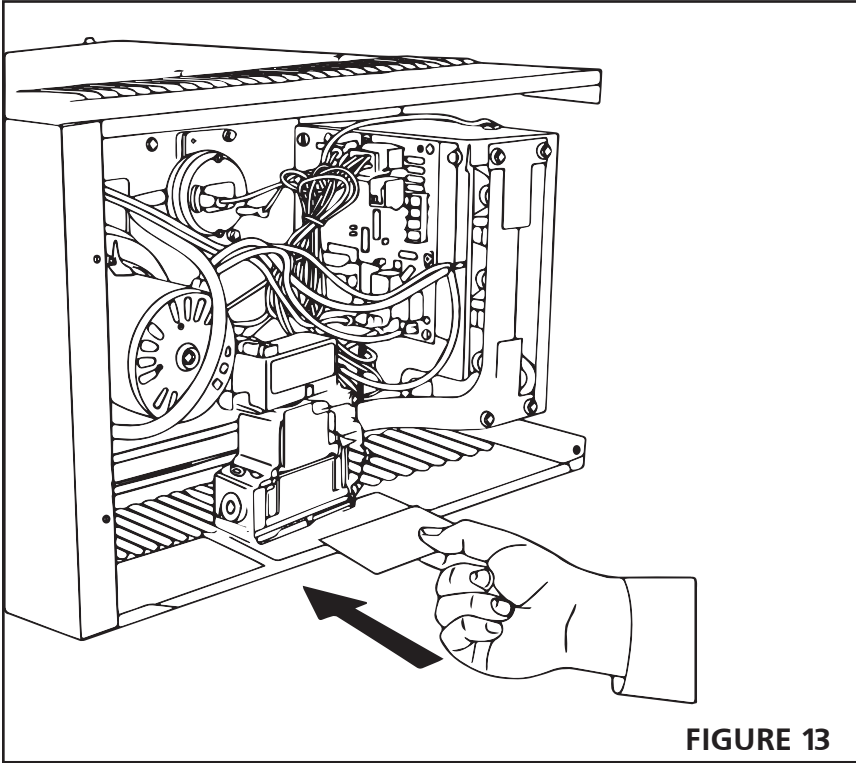
Turn down the thermostat and allow the heater to complete a cool down cycle. Then disconnect main electrical power, and turn the main gas supply off to appliance.

**Step 12**

Disconnect the manometer from appliance and replace the test plug on valve removed in step 6.



## FUEL CONVERSION Section 3: RATE TAG CONVERSION INSTRUCTIONS



**FIGURE 13**

### Step 13

Connect main electrical power, and turn main gas supply back on. Turn up thermostat to call for heat. When the main burners light using soapy water check all connections thoroughly for gas leaks. Remembering to also check the pressure test plug replaced in step 12. Allow the heater to operate for at least 5 minutes, then observe the main burner flame. A hard blue flame extending into the tube is normal. Slight yellow tipping is acceptable. There is no air adjustment to the burner.

### Step 14

See figure 13. Remove the data tag for their respective gases. Remove label and place over the existing portion of the tag. This tag is preprinted with all the correct information for the converted heater.

### Step 15

Remove the converted information tag from the kit and fill in the information. Then place this tag below the updated rating tag on the unit.

### Step 16

Replace any panels and operate heater following all warnings/cautions and instructions in the operator's manual and labels.

<b>Table 4</b>		
<b>NATURAL GAS MANIFOLD PRESSURES - IN. W.C.. (KPA)</b>		
<b>HSU 50/80/125</b>	<b>ALTITUDE FT. (M)</b>	
		0-2000 (0-610)
HSU 50/80/125	4.0"WC (0.99 KPA)*	3.6"WC (0.89 KPA)
*NO ADJUSTMENT REQUIRED		

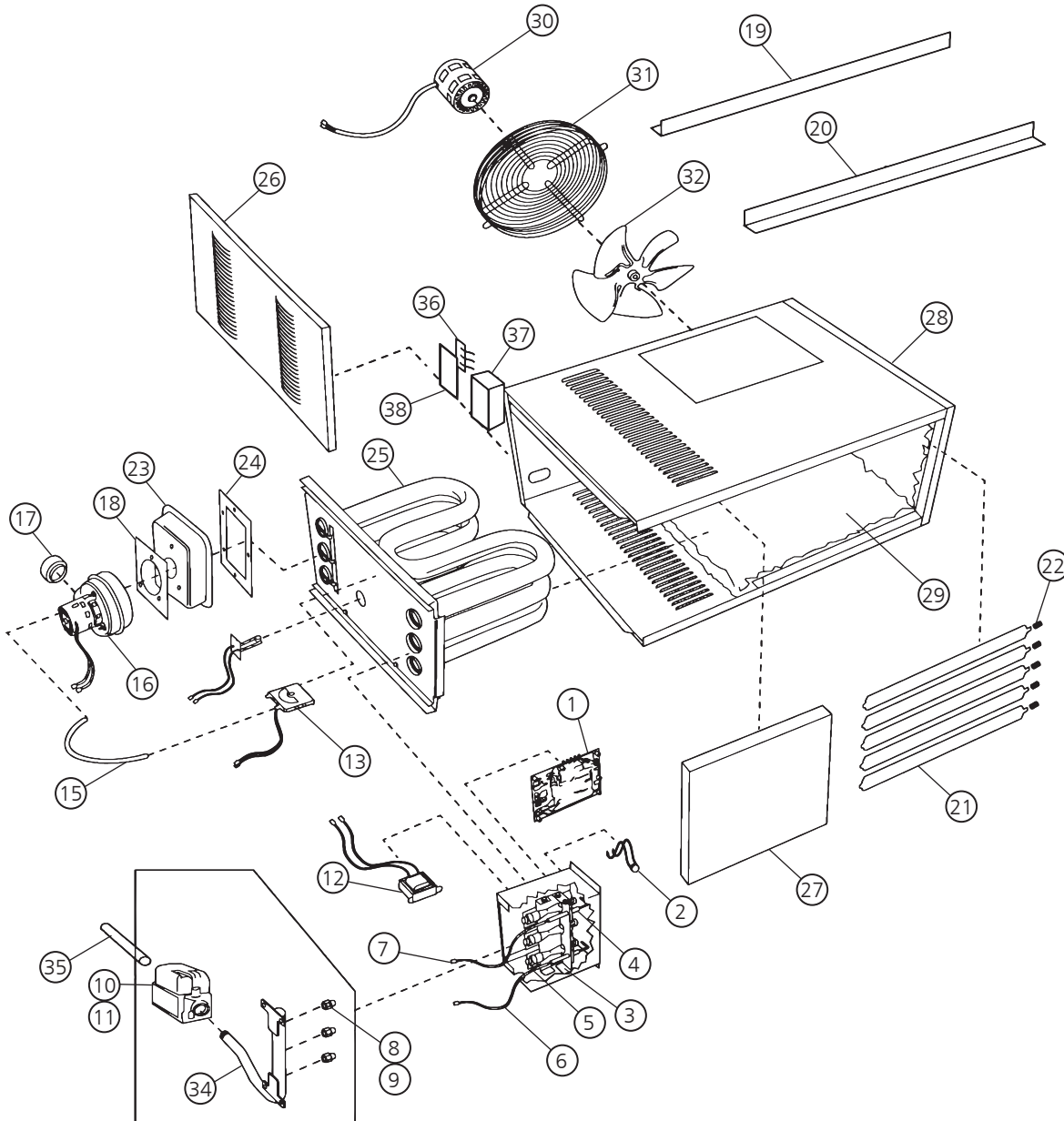
<b>Table 5</b>		
<b>LP/PROPANE GAS MANIFOLD PRESSURES - IN.W.C.. (KPA)</b>		
<b>HSU 50/80/125</b>	<b>ALTITUDE FT. (M)</b>	
		0-2000 (0-610)
HSU 50/80/125	10"WC (2.49 KPA)*	8.5"WC (2.12KPA)
*NO ADJUSTMENT REQUIRED		

<b>Table 6</b>	
<b>INLET PRESSURES:</b>	
<b>Natural Gas</b>	<b>MAX - 14" WC (3.49 kPa)</b> <b>MIN - 5"WC (1.25 kPa)</b>
<b>Propane</b>	<b>MAX - 14" WC (3.49 kPa)</b> <b>MIN - 11"WC (2.74 kPa)</b>

## REPAIR PARTS

When ordering parts include the complete unit model number listed on the unit rating plate.

### Heatstar • Compact / Utility Heater • Model # HSU50 / HSU80





## PARTS LIST

### SEE BACK PAGE FOR PARTS ORDERING INFORMATION

REF #	Description	50K	QTY	80K	QTY
1	CIRCUIT BOARD	60261	1	60261	1
2	LIMIT SENSOR	60022	1	60021	1
3	ELECTRODE IGNITER	60139	1	60139	1
4	ELECTRODE SENSOR	60141	1	60141	1
5	BURNER	60155	3	60155	5
6	IGNITION LEAD	60045	1	60045	1
7	SENSOR LEAD	60046	1	60046	1
8	ORIFICE (NAT)	60049	3	60049	5
9	ORIFICE (LP)	60156	3	60156	5
10	GAS VALVE (NAT)	60128	1	60128	1
11	GAS VALVE (LP)	60129	1	60129	1
12	TRANSFORMER	60032	1	60032	1
13	PRESSURE SWITCH	60147	1	60146	1
14	HIGH LIMIT SENSOR HEAT EXCH.	60015	1	60015	1
15	PRESSURE SWITCH TUBE	60031	1	60031	1
16	INDUCED DRAFT MOTOR	60020	1	60020	1
17	VENT ADAPTER	60140	1	60140	1
18	INDUCED DRAFT MOTOR GASKET	60157	1	60157	1
19	BACK BRACKET	60241	1	60241	1
20	FRONT BRACKET	60242	1	60242	1
21	LOUVERS	60243	5	60243	7
22	LOUVER SPRING	60260	5	60260	7
23	FLUE BOX	60189	1	60190	1
24	FLUE BOX GASKET	60090	1	60092	1
25	HEAT EXCHANGER	60065	1	60068	1
26	ACCESS DOOR	60263	1	60264	1
27	FRONT	60245	1	60250	1
28	SIDE DOOR	60246	1	60251	1
29	WRAPPER	60115	3	60117	3
30	FAN MOTOR	60055	1	60054	1
31	FAN GUARD	60120	1	60122	1
32	FAN ASSEMBLY	60125	1	60127	1
32	CAPACITOR STARTER		1	28788	1
34	MANIFOLD	60062	1	60064	1
35	INLET PIPE	60132	1	60132	1
36	THERMOSTAT TERMINAL	60262	1	60262	1
37	WIRING JUNCTION BOX	60247	1	60247	1
38	COVER, JUNCTION BOX	60248	1	60248	1
39	GAS VALVE BRACKET	60158	1	60158	1

#### Optional Installation Components

24V THERMOSTAT .....	F210359
4" VERTICAL VENT KIT (50/80/125) .....	F102848
4" HORIZONTAL STAINLESS STEEL VENT KIT (50/80/125) .....	F102860

#### Gas Conversion Kits

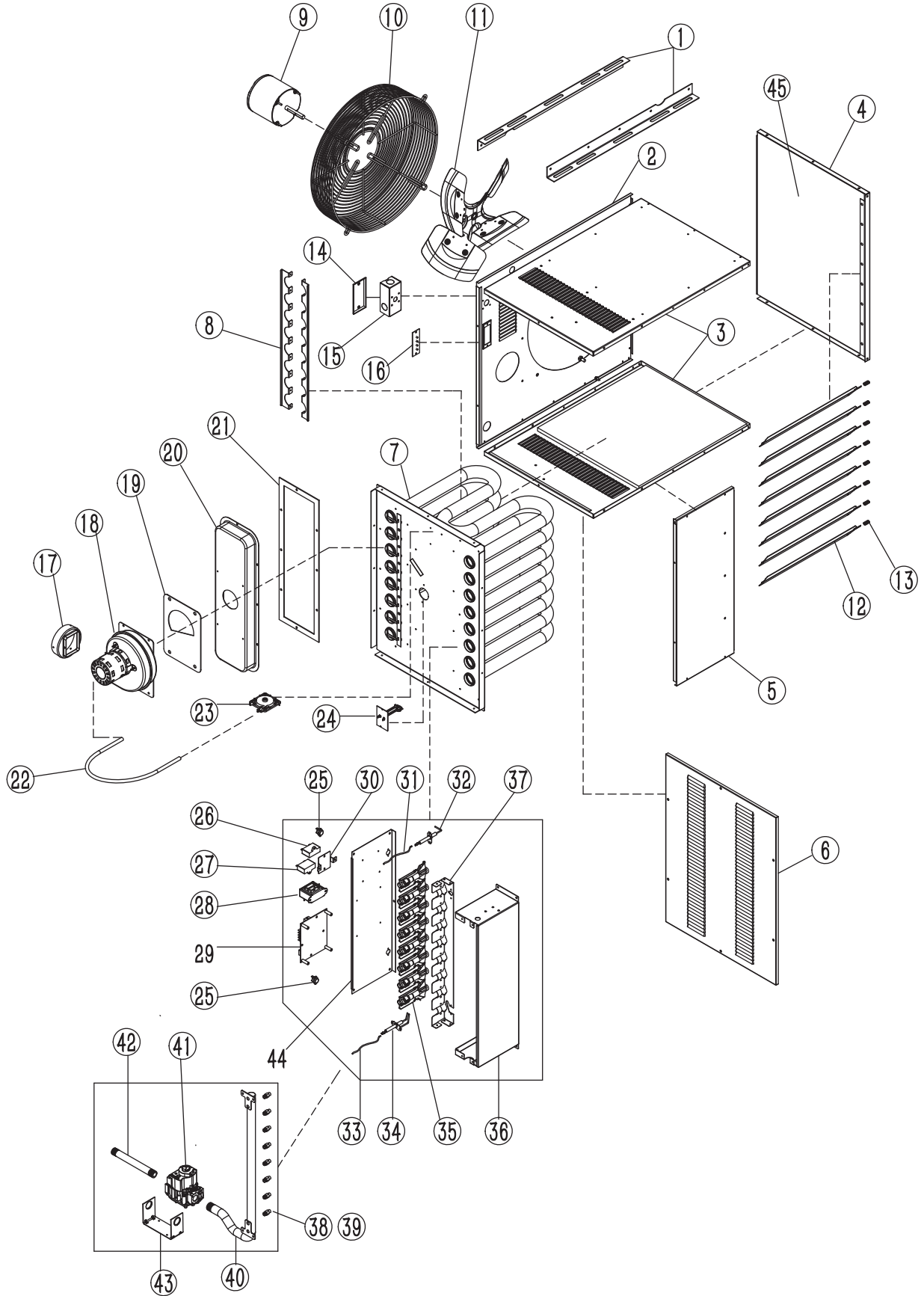
##### Natural Gas to Liquid Propane

HSU 50/80/125 .....	F260163
---------------------	---------

##### Liquid Propane to Natural Gas

HSU 50/80/125 .....	F260164
---------------------	---------

Heatstar • Compact / Utility Heater • Model # HSU125



**SEE BACK PAGE FOR PARTS ORDERING INFORMATION**

REF #	Description	125K	QTY
1	BRACKET	60252	2
2	MOUNTING PANEL-MOTOR	60253	1
3	MOUNTING PANEL-FRONT AND BACK	60254	2
4	MOUNTING PANEL-BOTTOM	60255	1
5	MOUNTING PANEL-SIDE	60256	1
6	MOUNTING PANEL-TOP	60265	1
7	HEAT EXCHANGER	60206	1
8	BRACKET-HEAT EXCHANGE	60207	2
9	FAN MOTOR	60208	1
10	FAN GUARD	60209	1
11	FAN ASSEMBLY	60210	1
12	LOUVERS	60258	8
13	LOUVERS SPRING	60260	8
14	COVER-WIRING JUNCTION BOX	60248	1
15	WIRING JUNCTION BOX	60247	1
16	THERMOSTAT TERMINAL	60262	1
17	VENT ADAPTER	60213	1
18	INDUCED DRAFT MOTOR	60214	1
19	INDUCED DRAFT MOTOR GASKET	60215	1
20	FLUE BOX	60216	1
21	FLUE BOX GASKET	60217	1
22	PRESSURE SWITCH TUBE	60031	1
23	PRESSURE SWITCH	60147	1
24	HI LIMIT SENSOR HEAT EXCH	60015	1
25	LIMIT SENSOR	60022	2
26	CAP-FAN MOTOR	28735	1
27	CAP-INDUCED DRAFT MOTOR	28788	1
28	TRANSFORMER	60032	1
29	CIRCUIT BOARD	60261	1
30	BRACKET-CAP	60223	1
31	SENSOR LEAD	60046	1
32	ELECTRODE SENSOR	60141	1
33	IGNITER LEAD	60224	1
34	ELECTRODE IGNITER	60139	1
35	BURNER	60155	8
36	BURNER BOX	60225	1
37	BRACKET BURNER	60226	1
38	ORIFICE(NAT)	60229	8
39	ORIFICE(LP)	60230	8
40	MANIFOLD	60227	1
41	GAS VALVE(NAT)	60128	1
42	INLET PIPE	60132	1
43	GAS VALVE BRACKET	60158	1
***	BOTTOM INSULATION	60220	1
***	FRONT / BACK INSULATION	60231	2
***	HEAT EXCHANGER INSULATION	60218	1

\*\*\* NOT SHOWN IN FIGURE



# OPERATING INSTRUCTIONS AND OWNER'S MANUAL

**MODEL#**  
HSU50NG  
HSU80NG  
HSU125NG

**READ INSTRUCTIONS CAREFULLY:** YOUR SAFETY IS IMPORTANT TO YOU AND TO OTHERS.  
Read and follow all instructions. Place instructions in a safe place for future reference. Do not allow anyone who has not read these instructions to assemble, light, adjust or operate the heater.



## WARNING:

USE ONLY MANUFACTURER'S REPLACEMENT PARTS. USE OF ANY OTHER PARTS COULD CAUSE INJURY OR DEATH. REPLACEMENT PARTS ARE ONLY AVAILABLE DIRECT FROM THE FACTORY AND MUST BE INSTALLED BY A QUALIFIED SERVICE AGENCY.

## PARTS ORDERING INFORMATION:

**PURCHASING:** ACCESSORIES MAY BE PURCHASED AT ANY HEATSTAR LOCAL DEALER OR DIRECT FROM THE FACTORY

## FOR INFORMATION REGARDING SERVICE:

Please call Toll-Free 866-447-2194 • WWW.HEATSTARBYENERCO.COM

Our office hours are 8:00 AM – 5:00 PM, EST, Monday through Friday.

Please include the model number, date of purchase, and description of problem in all communication.

## LIMITED WARRANTY:

The company warrants this product to be free from imperfections in material or workmanship, under normal and proper use in accordance with instructions of The Company, for a period of three years on parts (limited) and 10 years on the heat exchanger, from the date of delivery to the buyer. The Company, at its option, will repair or replace products returned by the buyer to the factory, transportation prepaid within said one year period and found by the Company to have imperfections in material or workmanship.

If a part is damaged or missing, call our Technical Support Department at 866-447-2194.

Address any Warranty Claims to the Service Department, Heatstar, Inc., 4560 W. 160TH ST., CLEVELAND, OHIO 44135. Include your name, address and telephone number and include details concerning the claim. Also, supply us with the purchase date and the name and address of the dealer from whom you purchased our product.

The foregoing is the full extent of the responsibility of the Company. There are no other warranties, express or implied. Specifically there is no warranty of fitness for a particular purpose and there is no warranty of merchantability. In no event shall the Company be liable for delay caused by imperfections, for consequential damages, or for any charges of the expense of any nature incurred without its written consent. The cost of repair or replacement shall be the exclusive remedy for any breach of warranty. There is no warranty against infringement of the like and no implied warranty arising from course of dealing or usage of trade. This warranty will not apply to any product which has been repaired or altered outside of the factory in any respect which in our judgment affects its condition or operation.

Some states do not allow the exclusion or limitation of incidental or consequential damages, so the above limitation or exclusion may not apply to you. This Warranty gives you specific legal rights, and you may have other rights which vary from state to state.

Heatstar, Inc. reserves the right to make changes at any time, without notice or obligation, in colors, specifications, accessories, materials and models.

**PRODUCT REGISTRATION:** Thank you for your purchase.  
Please log in to <http://www.egiregistration.com> to register your product.

Heatstar, INC., 4560 W. 160TH ST., CLEVELAND, OHIO 44135 • 1-866-447-2194

Heatstar is a registered trademarks of Heatstar, Inc.

© 2020, Heatstar. All rights reserved

Instalador: deje este manual con el aparato. Consumidor: conserve este manual para referencia futura.



# INSTRUCCIONES DE USO Y MANUAL DEL USUARIO

**Modelo#**  
HSU50NG  
HSU80NG  
HSU125NG

**LEA CUIDADOSAMENTE LAS INSTRUCCIONES:** Lea y siga todas las instrucciones. Conserve estas instrucciones en un lugar seguro para futura referencia. No permita que nadie que no haya leído estas instrucciones arme, encienda, ajuste o use el calefactor.



## CALEFACTOR COMPACTO PARA USO RESIDENCIAL/COMERCIAL

**ADVERTENCIA:** La instalación, ajuste, alteración, reparación o mantenimiento inadecuados pueden causar lesiones o daños materiales. Consulte este manual. Por asistencia o información adicional, consulte con un instalador calificado, agencia de servicio o la compañía de gas.

-QUÉ HACER SI DETECTA OLOR A GAS

- o NO intentar encender ningún artefacto.
- o NO tocar ningún interruptor eléctrico; no usar ningún teléfono en el edificio.
- o Abandonar el edificio inmediatamente.
- o Llamar inmediatamente a su proveedor de gas desde un teléfono lejos del edificio. Seguir las instrucciones de la compañía de gas.
- o Si no se puede comunicar con la compañía de gas, llame a los bomberos.

- La instalación y la reparación deben ser realizadas por un instalador calificado, agencia de reparaciones o la compañía de gas.

**POR SU SEGURIDAD:** No almacene ni utilice gasolina ni ningún otro vapor ni líquido inflamable cerca de este ni de ningún otro artefacto

**ADVERTENCIA:** Si no se siguen estas instrucciones al pie de la letra, podría producirse un incendio o una explosión que provocaría daños materiales, lesiones o muertes.

### **⚠ ADVERTENCIA:**

SU SEGURIDAD ES IMPORTANTE PARA USTED Y PARA LOS DEMÁS, ASÍ QUE POR FAVOR LEA ESTAS INSTRUCCIONES ANTES DE UTILIZAR EL CALEFACTOR.

### **⚠ ADVERTENCIA**

#### **PELIGRO DE INCENDIO Y EXPLOSIÓN**

El no seguir exactamente las instrucciones de seguridad podría causar heridas graves o daños materiales. Asegúrese de leer y comprender las instrucciones de instalación, operación y reparación de este manual. La instalación, ajuste, alteración, reparación o mantenimiento inadecuados pueden causar lesiones graves, la muerte o daños materiales.

**⚠ ADVERTENCIA:** ESTE PRODUCTO PUEDE EXPONERLE A PLOMO Y COMPUESTOS DE PLOMO, QUE ES CONOCIDO (A) POR EL ESTADO DE CALIFORNIA COMO CAUSANTE DE CÁNCER. LÁVESE LAS MANOS DESPUÉS DE MANIPULAR ESTE PRODUCTO. PARA MAYOR INFORMACIÓN, VISITE [WWW.P65WARNINGS.CA.GOV](http://WWW.P65WARNINGS.CA.GOV).

### **⚠ ADVERTENCIA:**

PELIGRO DE INCENDIO, QUEMADURAS, INHALACIÓN Y EXPLOSIÓN. MANTENGA LOS COMBUSTIBLES SÓLIDOS, TALES COMO MATERIALES DE CONSTRUCCIÓN, PAPEL O CARTÓN, A UNA DISTANCIA SEGURA DEL CALEFACTOR COMO SE RECOMIENDA EN LAS INSTRUCCIONES, NUNCA USE EL CALEFACTOR EN ESPACIOS QUE CONTENGAN O PODRÍAN CONTENER COMBUSTIBLES VOLÁTILES O GASEOSOS, NI PRODUCTOS COMO GASOLINA, SOLVENTES, DILUYENTES DE PINTURA, PARTÍCULAS DE POLVO O PRODUCTOS QUÍMICOS DESCONOCIDOS.

**⚠ ADVERTENCIA:** LOS COMBUSTIBLES USADOS EN EQUIPOS PARA LICUAR GAS PROPANO, ASÍ COMO LOS PRODUCTOS DE SU COMBUSTIÓN, PUEDEN EXPONERTE A SUSTANCIAS QUÍMICAS, ENTRE ELLAS EL BENCENO, QUE EL ESTADO DE CALIFORNIA RECONOCE COMO CAUSA DE CÁNCER Y DE MALFORMACIONES CONGÉNITAS Y OTROS DAÑOS AL SISTEMA REPRODUCTOR. PARA MÁS INFORMACIÓN, [WWW.P65WARNINGS.CA.GOV](http://WWW.P65WARNINGS.CA.GOV)

	<b>HSU125</b>	<b>HSU80</b>	<b>HSU50</b>
<b>V/A/H/Fase</b>	120v / 3a / 60hZ / 1Ø	120v / 2.3a / 60hZ / 1Ø	120v / 2.3a / 60hZ / 1Ø
<b>ENTRADA BTU/HR (kW):</b>	125 000 (36,6)	80 000 (23,4)	50 000 (14,7)
<b>SALIDA BTU/HR (kW):</b>	100 000 (29,3)	64 000 (18,8)	40 000 (11,7)
<b>Eficiencia %</b>	80%	80%	80%

## **ÍNDICE**

TAMAÑO DE LA UNIDAD .....	25
ENVÍO.....	26
REQUISITOS .....	26
INSTALACIÓN DEL CALEFACTOR .....	27
AIRE DE COMBUSTIÓN Y DE VENTILACIÓN .....	27
VENTILACIÓN .....	27
CONEXIONES ELÉCTRICAS .....	31
CONEXIÓN DE GAS .....	32
VERIFICACIÓN DE FUGAS .....	32
ENCENDIDO Y FUNCIONAMIENTO .....	32
SECUENCIA DE OPERACIÓN DEL CALEFACTOR.....	33
LED DE CONTROL DE ENCENDIDO .....	33
REPARACIÓN .....	34
DIAGRAMA DE CABLEADO.....	35
CONVERSIÓN DE COMBUSTIBLE.....	36
LISTA DE PARTES.....	41
GARANTÍA LIMITADA .....	45

## **IDIOMAS**

INGLÉS .....	1 - 22
ESPAÑOL .....	23 - 45
FRANCÉS .....	46 - 68

## **INFORMACIÓN GENERAL**

GUARDE ESTE MANUAL PARA FUTURA REFERENCIA. POR PREGUNTAS, PROBLEMAS O PARTES FALTANTES, ANTES DE RETORNAR EL PRODUCTO A LA TIENDA LLÁMENOS CON EL NÚMERO DE MODELO Y EL NÚMERO DE SERIE DEL CALEFACTOR:

1-866-447-2194

DE LUNES A VIERNES DE 8 A 5 PM HORA DEL ESTE O ENVÍENOS UN MENSAJE A TRAVÉS DEL SITIO WEB DE Heatstar:

**WWW.HEATSTARBYENERCO.COM**

Con el fin de brindar el mejor servicio posible, HEATSTAR ahora le brinda más formas de comunicarse con nosotros. Encuentre videos informativos en:

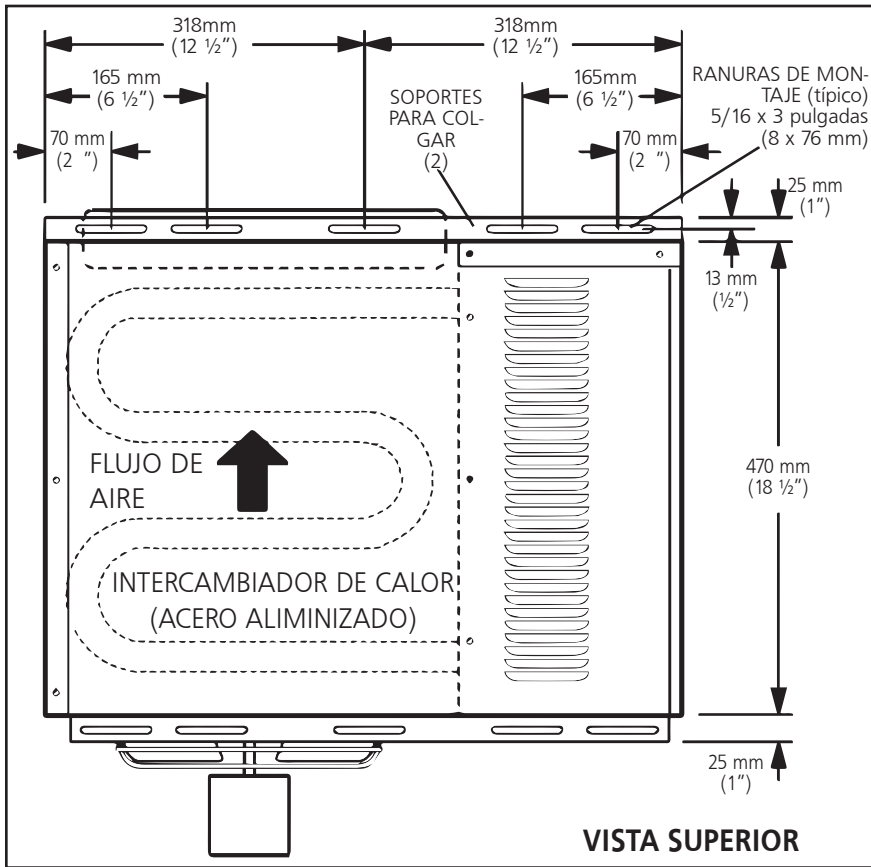
 YouTube: [youtube.com/heatstarTV](http://youtube.com/heatstarTV)

SITIO WEB: La línea completa de productos de Heatstar ahora está en:

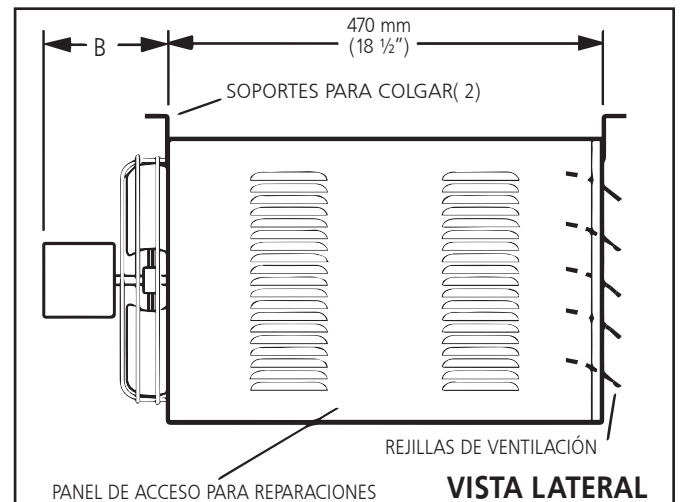
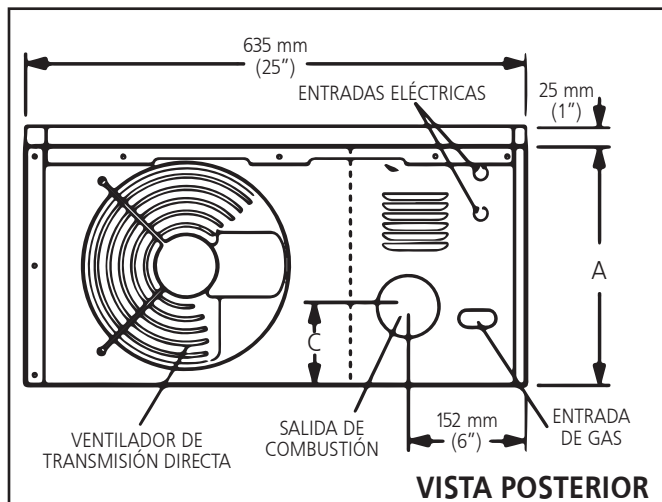
**WWW.HEATSTARBYENERCO.COM**

Instrucciones de uso y manual del usuario

## TAMAÑO DE LA UNIDAD



DIMENSIONES VARIABLES VISTA POSTERIOR Y VISTA LATERAL			
	50	80	125
A	12" (305)	17" (432)	24,67" (626,8)
B	5,5" (140)	6,5" (165)	8,08" (205,25)
C	4,25" (108)	6,75" (171)	9,43" (239,61)



## ENCENDIDO Y LISTA DE CONTROL DE RENDIMIENTO

Nombre de la instalación: \_\_\_\_\_ Trabajo No.: \_\_\_\_\_ Fecha: \_\_\_\_\_

Lugar de la instalación: \_\_\_\_\_ Ciudad: \_\_\_\_\_ Estado/Provincia: \_\_\_\_\_

Instalador: \_\_\_\_\_ Ciudad: \_\_\_\_\_ Estado/Provincia: \_\_\_\_\_

No. de modelo de la unidad: \_\_\_\_\_ No. de serie: \_\_\_\_\_ Técnico de reparaciones: \_\_\_\_\_

¿Conexiones eléctricas ajustadas? \_\_\_\_\_ ¿Conexiones de combustión ajustadas? \_\_\_\_\_

Voltaje de alimentación: \_\_\_\_\_ ¿Funcionamiento del temporizador del ventilador verificado? \_\_\_\_\_

¿Conexiones de caños de gas ajustadas y sin fugas? \_\_\_\_\_ TERMOSTATO ¿Calibrado? \_\_\_\_\_

Corriente del motor: \_\_\_\_\_ Anticipador de calor ajustado correctamente? \_\_\_\_\_

BTU de entrada del calefactor: \_\_\_\_\_ ¿Nivel? \_\_\_\_\_

Presión de la línea: \_\_\_\_\_

Presión del múltiple en columna de agua: \_\_\_\_\_



## ENVÍO

El calefactor viene completamente armado. Las instrucciones de instalación, dos soportes de montaje (sueatas) y un acople para la salida de combustión vienen incluidos. Inspeccione la unidad por daños durante el envío. El que reciba la unidad debe ponerse en contacto con el último transportista inmediatamente en caso de cualquier daño durante el envío.

## REQUISITOS: CSA EN LOS EE.UU.

La instalación de calefactores a gas debe cumplir con las normas locales de construcción o, en su defecto, con la actual Norma Nacional de Gas Combustible ANSI Z223.1.

La instalación en hangares de aviones debe hacerse de acuerdo con la actual Norma para hangares de aviones, ANSI/NFPA No. 409.

La instalación en estructuras de empaque debe hacerse de acuerdo con la actual Norma para estructuras de empaque, ANSI/ NFPA No. 88A.

La instalación en garajes de reparaciones debe hacerse de acuerdo con la actual Norma para garajes de reparaciones, ANSI/NFPA No. 88B.

Estas unidades están aprobadas para uso residencial. Para la instalación en un garaje residencial, estas unidades deben instalarse de modo que la parte inferior del calefactor se encuentre a no menos de 8 pies (2,438 m) sobre el piso. El calefactor debe estar ubicado o protegido de modo que no pueda sufrir daños físicos por parte de los vehículos. Consulte la edición actual de la Norma nacional de gas combustible ANSI Z223.1.

Debe consultar con las autoridades que tengan jurisdicción antes de una instalación NFPA. El aire para la combustión y la ventilación debe cumplir con los métodos descritos en la sección 5.3 de la norma ANSI Z223.1, Aire para Combustión y Ventilación, o con las disposiciones aplicables de las normas locales de construcción. La Norma nacional de gas combustible está disponible en:

American National Standard Institute Inc.  
11 West 42nd Street  
New York, NY 10036

Estas unidades cuentan con la certificación internacional de diseño CSA. Estos calefactores están certificados para su instalación en materiales combustibles según lo indicado en la **tabla 1** y en la placa de características de la unidad. Deben respetarse las separaciones de accesibilidad y de reparaciones además de las separaciones de protección contra incendios..

Todo el cableado eléctrico y de tierra de la unidad debe realizarse como lo especifica la actual Norma Eléctrica Nacional ANSI No. 70.

La Norma Eléctrica Nacional está disponible en:

National Fire Protection Association  
1 Batterymarch Park  
PO Box 9101  
Quincy, MA 02269-9101

**TABLA 1**  
**SEPARACIONES DE LA UNIDAD**

Parte superior		Costados		Panel de acceso	
pulg.	mm	pulg.	mm	pulg.	mm
1	25	1	25	18	457
Parte inferior		Parte posterior			
pulg.	mm	pulg.	mm		
0	0	18	456		

## REQUISITOS: CSA EN CANADÁ

Las instrucciones están diseñadas como una guía general y no reemplazan de ninguna manera a las normas locales. Debe consultar con las autoridades que tengan jurisdicción antes de realizar la instalación. La instalación debe cumplir con las normas locales de construcción, y si no existen normas locales, con la Norma de instalación de gas natural y propano, CSA B149.1. Todo el cableado eléctrico y de tierra de la unidad también debe cumplir con la edición actual de la Norma eléctrica canadiense CSA C22.1. Estos calefactores cuentan con la certificación internacional CSA para las distancias a materiales combustibles indicadas en la placa de características y en la **tabla 1**. Proporcione una separación adecuada alrededor de las aberturas de aire en la cámara de combustión, distancias a material combustible y provisiones para accesibilidad y para el suministro de aire de combustión y de ventilación. Hay que dejar lugar para poder acceder al calefactor cuando sea necesario repararlo. Tenga en cuenta que las separaciones de protección contra incendios se pueden exceder para proporcionar espacio adicional para la reparación y el acceso.

## INSTALACIONES EN GARAJES:

La instalación en estructuras de empaque debe hacerse de acuerdo con la actual Norma para estructuras de empaque, ANSI NFPA No. 88A.

La instalación en garajes de reparaciones debe hacerse de acuerdo con la actual Norma para garajes de reparaciones, ANSI/NFPA No.88B.

1. En un área de almacenamiento, la separación entre calefactores y materiales combustibles debe ser tal que el material no alcance una temperatura superior a los 160 F durante el funcionamiento continuo de la unidad.
2. Debe mantenerse una separación mínima de ocho pies desde el suelo hasta la parte inferior del calefactor. Consulte la Norma de instalación de gas natural y propano CSA B149.1

## HANGARES DE AVIONES:

La instalación de calefactores a gas debe cumplir con las normas locales de construcción o, en su defecto, con la actual Norma Nacional de Gas Combustible ANSI Z223.1.

1. En un área en la que se guarden o reparen aviones, se deberá mantener una distancia mínima de 10 pies entre la superficie más alta del avión y la parte inferior del calefactor.
2. Para otras áreas, debe mantenerse una separación mínima de 8 pies desde el suelo hasta la parte inferior del calefactor.
3. Los calefactores deben ubicarse de modo que estén protegidos contra daños causados por los aviones y por cualquier otro artefacto necesario para reparar los aviones. Consulte los requisitos de las autoridades competentes.

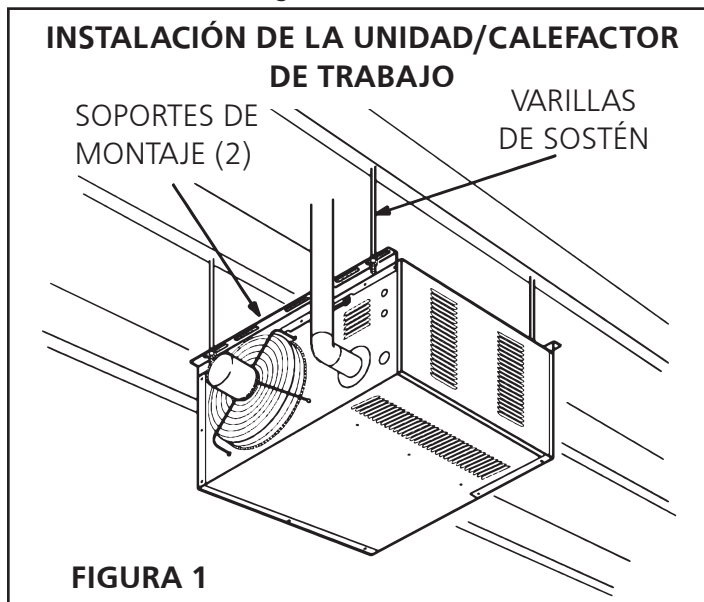
Estas unidades están aprobadas para uso residencial. Para la instalación en un garaje residencial, estas unidades deben instalarse de modo que los calefactores y las fuentes de ignición se encuentren a no menos de 8 pies (457 mm) sobre el piso. El calefactor debe estar ubicado o protegido de modo que no pueda sufrir daños físicos por parte de los vehículos. Consulte la edición actual de la Norma de instalación de gas natural y propano CSA B149.1

**EN CANADÁ:** En un área cerrada, el calefactor debe instalarse de acuerdo con la Norma de instalación de gas natural y propano CSA B149.1. Asegúrese de consultar con las normas y ordenanzas locales por requisitos adicionales.

## INSTALACIÓN DEL CALEFACTOR

La unidad se envía lista para su instalación. La unidad se puede instalar como se muestra en la figura 1 o invertida 180°, dependiendo de la ubicación deseada, según las separaciones, la conexión de la ventilación, la dirección del aire, el suministro de gas, el suministro eléctrico y la accesibilidad para repararla.

1. Si instala la unidad en posición invertida: Remueva y guarde los tornillos que aseguran la puerta y gire la puerta 180°. Asegúrela con los mismos tornillos. Rote las persianas que dirigen el flujo de aire como lo desee.
2. Elija la ubicación de los soportes de montaje.
3. Remueva y guarde tres tornillos a lo largo del borde superior (borde inferior al invertirlo) del frente de la unidad.
4. Alinee los orificios para los tornillos en el soporte de montaje con los orificios a lo largo del borde superior (ya sea derecho o invertido) de la unidad. Fije uno de los soportes de montaje al frente de la unidad con los tornillos originales. Fije el otro soporte de montaje a la parte posterior de la unidad con los tornillos originales de la parte posterior de la unidad.
5. Para soportar la unidad, fije firmemente los soportes a las vigas del techo. También se puede instalar la unidad colgando de varillas como se muestra en la **figura 1**.



## AIRE DE COMBUSTIÓN Y DE VENTILACIÓN

Se deben proporcionar las instalaciones adecuadas para el suministro de aire para la combustión y la ventilación de acuerdo con la última edición de la sección 5.3 Aire para la combustión y la ventilación de la Norma nacional de gas combustible ANSI Z223.1 en los EE.UU., la Norma de instalación de gas natural y propano CSA B149.1, y las regulaciones correspondientes de las normas locales de construcción.

Todos los calefactores a gas requieren aire para el proceso de combustión. En muchos edificios de hoy en día, existe una presión negativa en el aire interior causada por los ventiladores de escape, etc. Si no se dispone de suficiente cantidad de aire de combustión, el calefactor u otro artefacto funcionará de manera ineficiente, dando como resultado una combustión incompleta que podría causar una producción excesiva de monóxido de carbono.

**CUIDADO:** El aire de combustión insuficiente podría causar dolor de cabeza, náusea, mareos, asfixia o la muerte.

Si se va a utilizar aire del interior para la combustión, no debe contener ninguna de las siguientes sustancias o la vida útil del intercambiador de calor se verá afectada negativamente: cloro, tetracloruro de carbono, solventes de limpieza, refrigerantes halógenos, ácidos, cementos y colas, tintas de impresión, fluoruros, removedores de pintura, barnices o cualquier otro tipo de material corrosivo.

## VENTILACIÓN

### A – RECOMENDACIONES GENERALES Y REQUISITOS

**NOTA:** La ventilación es un conducto, vertical o casi vertical, que se utiliza para transportar gases de combustión de un artefacto, o de su conector de ventilación, a la atmósfera exterior. El conector de ventilación es la tubería o conducto que conecta un artefacto de combustión a gas hacia un respiradero o una chimenea.

Los calefactores deben ventilarse de acuerdo con todas las normas locales o los requisitos de la empresa local de gas, las versiones actuales de la Norma nacional de gas combustible (EE.UU.), ANSI Z223.1 o con la CSA B149.1 (Canadá) Norma de instalación de gas natural y propano, y con las siguientes instrucciones.

No mezcle diferentes partes del sistema de ventilación de diferentes fabricantes en el mismo sistema de ventilación.

Los conectores de ventilación que prestan electrodomésticos de Categoría I y Categoría II no se deben conectar en ninguna porción de los sistemas de tiro mecánico que operan bajo presión positiva.

Esta unidad certificada incluye una transición de metal estampado/extruido. No debe ser modificado o alterado y debe instalarse en la salida del soplador de aire inducido antes de la instalación del conector de ventilación o de la ventilación. El incumplimiento de este requisito anulará la certificación de la unidad por los organismos de aprobación. Todas las juntas deben asegurarse con al menos dos tornillos resistentes a la corrosión. Después de la instalación, se debe comprobar que ninguna de las juntas tenga fugas de gas.

El calentador y el sistema de ventilación deben ser inspeccionados una vez al año por una agencia de servicio calificada.

### B – VENTILACIÓN VERTICAL USANDO UN CONDUCTO METÁLICO DE VENTILACIÓN - INSTALACIONES COMERCIALES Y RESIDENCIALES

Los calefactores HSU compactos están clasificados como artefactos Categoría I para instalaciones con ventilación vertical.

1. **Estados Unidos:** Los calefactores HSU deben usarse con chimeneas aprobadas por NFPA o ANSI, ventilaciones de gas tipo B-1 aprobadas por U.L., tuberías metálicas de una sola pared o con un sistema de revestimiento de chimenea para ventilación de gas cuando corresponda, así como con las modificaciones y limitaciones enumeradas en la **figura 2**. Selle los materiales de ventilación de una sola pared de acuerdo con la sección **A - Recomendaciones generales y requisitos**.

**Canadá:** los calentadores de la unidad de la categoría I que figuran se utilizarán con ventilación de gas de tipo B. Espacio mínimo para ventilación de gas de material combustible: 1 pulgada (25 mm)

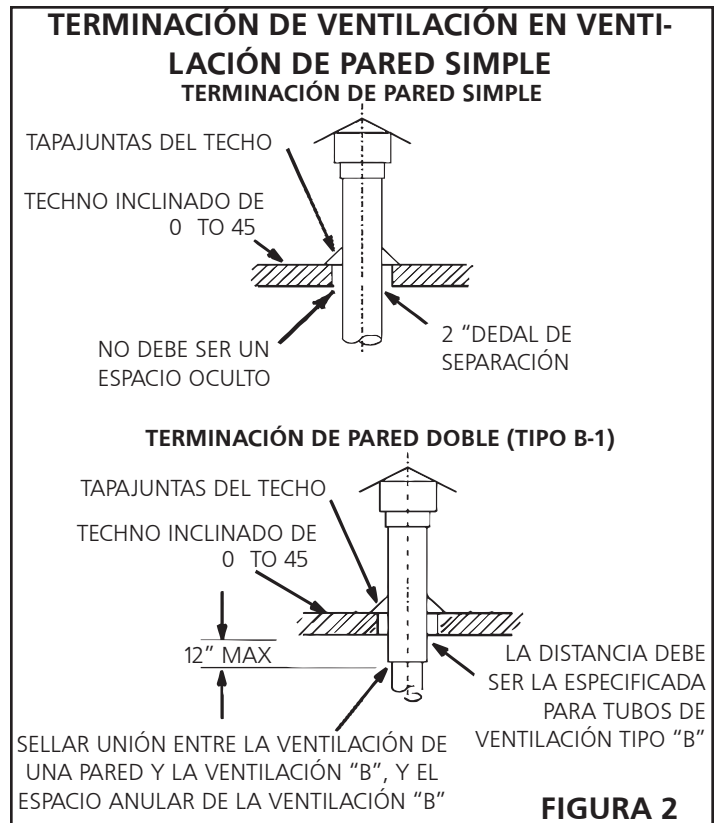
2. El conector de la ventilación deberá tener 4" (102 mm) de diámetro para unidades de 50k & 80k & 125k. Para todos los casos, se necesita una pieza de transición (incluida) colocada sobre la salida del soplador

de aire inducido del artefacto.

- Mantenga los tramos de conducto de ventilación lo más corto posible con la cantidad mínima de codos. Consulte la Norma nacional de gas combustible (EE.UU.), ANSI Z223.1 o con la CSA B149.1 (Canadá) Norma de instalación de gas natural y propano por el recorrido y el largo máximo de los conectores de ventilación. El recorrido horizontal del conector de ventilación desde el soplador de aire inducido hasta la chimenea/ventilación no puede exceder los valores de la **Tabla 2**
- Cuando la longitud de un solo tramo de ventilación, incluyendo codos, exceda los 5 pies (1,5 m), deberá estar aislado a lo largo de todo su recorrido con fibra de vidrio de 1-1/2 de densidad, de 1/2" de espesor, recubierta en aluminio como mínimo. Si se utiliza ventilación de una sola pared en un área sin calefacción, deberá aislarse. El no hacerlo causará la condensación de gases de combustión.
- La unidad se puede ventilar verticalmente como un solo artefacto, o usando una ventilación común compartida con otros artefactos a gas. En situaciones de ventilación en común, los conectores de los otros artefactos deberán mantener una separación vertical de al menos 4" (100 mm) entre conectores. Consulte las tablas de ventilación en común de la Norma nacional de gas combustible (EE.UU.), ANSI Z223.1 o con la CSA B149.1 (Canadá) Norma de instalación de gas natural y propano por los tamaños de ventilación adecuados.
- La separación a materiales combustibles es de 6" (152mm) para ventilaciones de una sola pared, excepto cuando se utilice una separación indicada para guardacabo. La separación a materiales combustibles para ventilaciones tipo B-1 o chimeneas hechas en la fábrica depende de las instrucciones del fabricante.
- El conector de ventilación debe sostenerse sin deformaciones ni holguras. Las ventilaciones verticales deben sostenerse de acuerdo con sus listados y con las instrucciones del fabricante. Todos los tramos horizontales de la ventilación deberán tener una inclinación hacia arriba de por lo menos 1/4" por pie (1 mm por cada 50 mm)
- Todas las ventilaciones verticales tipo B-1, ventilaciones de una sola pared o sistemas de chimenea con recubrimiento listados deberán terminar en una tapa de ventilación o mecanismo para techo aprobados.
- La ventilación debe extenderse por lo menos 3 pies (1 m) por encima del punto más alto cuando pase a través del techo de un edificio y debe ser por lo menos 2 pies (0,6 m) más alta que cualquier otra parte del edificio dentro de un radio de 10 pies (3,05 m), a menos que la Norma nacional de gas combustible (EE.UU.), ANSI Z223.1 o la CAN/CSA B149 (Canadá) Norma de instalación especifiquen lo contrario. La ventilación se debe extender por lo menos 5 pies (1,6 m) por encima de la ventilación del equipo más alto conectado.

**TABLA 2**  
**LONGITUDES MÁXIMAS PARA VENTILACIONES HORIZONTALES**

Cant. de codos	Pies	m
1	25	7.6
2	20	6.1
3	15	4.6
4	10	3.0
5	5	1.5
El largo máximo de un conector de ventilación no debe exceder los 30 pies (9,1 m).		



**C - VENTILACIÓN HORIZONTAL - GENERAL**

Debido a los cambios en la Z83-8 2009 CSA2.6-2009, no se permite más el uso de ventilación tipo B de una sola pared como material aceptable para ventilar horizontalmente. Este cambio incluye instalaciones residenciales y comerciales. Todas las unidades con ventilación horizontal fabricadas después de julio del 2011 deben ventilarse como calefactores/ unidades categoría III de acuerdo con UL 1738 & ULS636. No se permite compartir la ventilación al ventilar horizontalmente el calefactor.

La longitud mínima de ventilación horizontal es de 3 pies (914 mm).

- De ser posible, no termine la ventilación horizontal a través de una pared expuesta a vientos reinantes. La exposición a mucho viento puede afectar el rendimiento de la unidad.
- La terminación de la ventilación no debe estar obstruida y debe sobresalir por lo menos 12" (306 mm) por encima del nivel del suelo y de la altura máxima de la nieve.
- No termine la ventilación directamente debajo de aleros de techo o sobre caminos o de cualquier otra área en la cual el goteo de condensación pudiera causar problemas y podría ocasionar manchas. Evite las ventanas en las que el vapor podría empañarlas o causar la acumulación de hielo.
- Al ventilar horizontalmente, la distancia mínima de la terminación a cualquier puerta, ventana, entrada de aire por gravedad, medidor de gas o electricidad, reguladores y equipos de liberación es de 4 pies (1,2 m) para instalaciones en los EE.UU. Consulte la NFPA 54/ ANSI Z223.1 en los EE.UU. y la CSA B149.1 Norma de instalación de gas natural y propano y 2 en Canadá, o consulte con las autoridades que tengan jurisdicción local. En Canadá, la terminación de ventilación debe tener una separación horizontal mínima de 6 pies (1,8 m) de cualquier medidor de gas o eléctrico y de dispositivos de liberación, tal como lo especifica la CSA B149.1 Norma de instalación de gas natural canadiense.

5. La terminación de ventilación deberá estar a como mínimo 4 pies (1,2m) por debajo o a 4 pies (1,2m) a un costado de cualquier respiradero del soffito o ventilación debajo de aleros.
6. La ventilación debe estar como mínimo a 6 pies de una esquina interna formada por dos paredes exteriores. De ser posible, deje una separación de 10 pies..
7. La terminación de ventilación debe estar a un mínimo de 10 pies (3 m) de cualquier entrada de aire forzado (incluyendo entradas de aire fresco para otros artefactos, como una secadora).
8. Cuando la terminación pase por una pared exterior combustible, hay que sujetar la ventilación utilizando un guardacabo con la separación indicada. Selle la conexión entre los conductos de una sola pared y de doble pared, y el espacio anular del conducto de doble pared como se muestra en la figura 2. El borde interno de la T de la terminación de ventilación debe estar a por lo menos 12" de la pared exterior, como se muestra en la **figura 3**.
9. Para ventilación horizontal, el conducto de ventilación debe sostenerse con ganchos que no estén separados a más de 3 pies (1 m) para evitar que se mueva luego de la instalación.

## D – VENTILACIÓN HORIZONTAL - COMERCIAL

1. Las instalaciones horizontales comerciales son para edificios que no estén unidos a espacios de vivienda. La ventilación puede ser de un material de una sola pared instalado de acuerdo con las secciones:
  - A - Recomendaciones generales y requisitos y
  - C - Ventilación horizontal general y
  - D - Ventilación horizontal comercial.
 Consulte la figura 3.
2. El diámetro de la ventilación horizontal para instalaciones comerciales debe ser de 4" (76 mm) en unidades 50. Es por esto que se incluye una pieza de transición ya montada en su calefactor. Consulte la **figura 4**.
3. Seleccione un punto de terminación en la pared que mantenga una elevación de 1/4" por pie de recorrido horizontal del tubo de ventilación
4. Para ventilaciones con inclinación hacia arriba, deberá instalar una T de condensación y un drenaje dentro de los primeros 5 pies (1,5 m) de la unidad para proteger el artefacto. Si se usa una línea flexible para el drenaje de la condensación, la línea de drenaje deberá incluir un lazo al ingresar a la estructura. Si apaga la unidad durante mucho tiempo y estará expuesta a temperaturas bajo cero, la condensación podría congelarse.

## E – VENTILACIÓN HORIZONTAL - COMERCIAL

1. Para instalaciones residenciales horizontales, estas unidades están certificadas como artefactos categoría III. **Ventilación A - Recomendaciones generales y requisitos y C - Ventilación horizontal general y E - Ventilación horizontal residencial.** Consulte la **figura 5**.
2. El diámetro de la ventilación horizontal para instalaciones residenciales debe ser de 4" en todas las unidades. Es por esto que se incluye una pieza de transición ya montada en su calefactor. Consulte la **figura 4**.
3. La longitud máxima de la ventilación es de 25 pies (7,6 m) más un codo de 90 grados. La longitud mínima es de 5 pies (1,5 m).
4. La ventilación debe mantener una elevación de 1/4" por pie hacia la terminación.



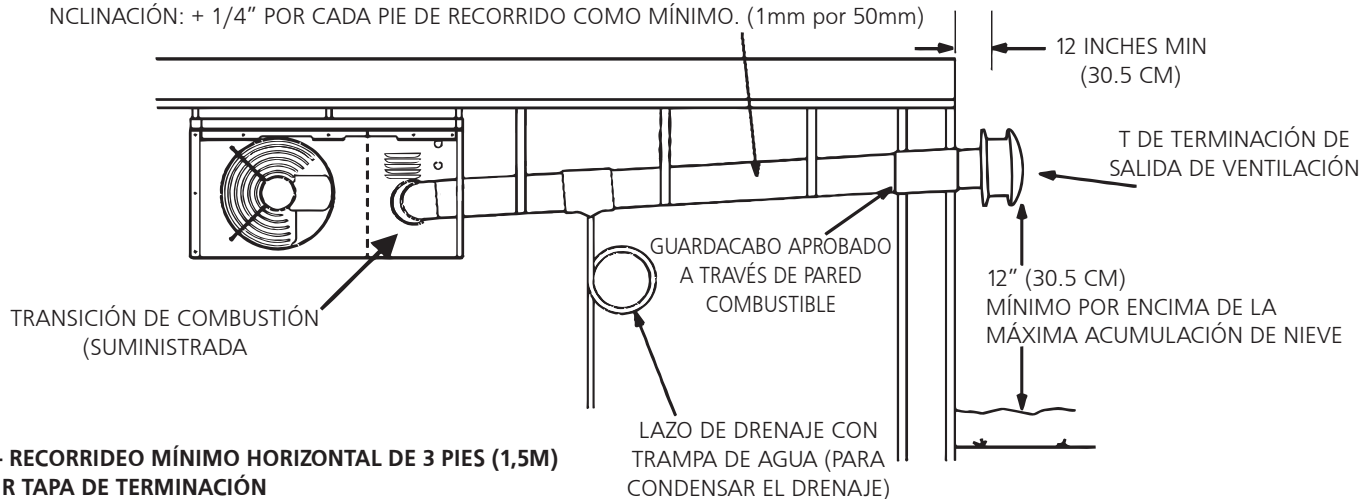
**FIGURA 4**

## DRENAJE DE CONDENSACIÓN A TRAVÉS DE TUBERÍA EN T Y LAZO DE DRENAJE

### INCLINACIÓN HACIA ARRIBA EN VENTILACIÓN HORIZONTAL PARA INSTALACIÓN COMERCIAL

VENTILACIÓN CATEGORÍA III DE ACUERDO CON ESTAS INSTRUCCIONES DE INSTALACIÓN.

INCLINACIÓN: + 1/4" POR CADA PIE DE RECORRIDO COMO MÍNIMO. (1mm por 50mm)

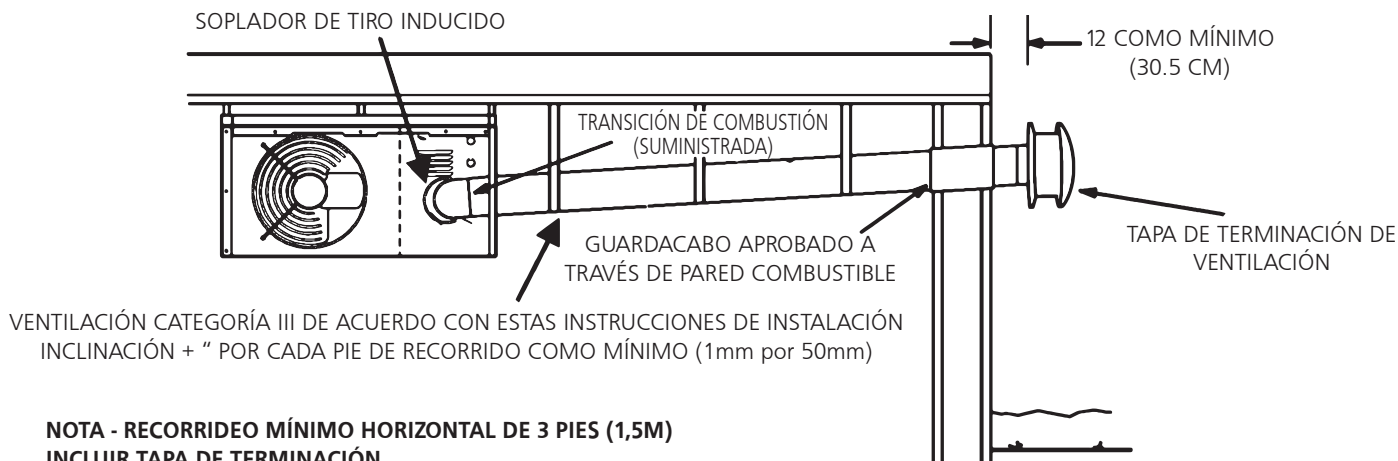


**NOTA - RECORRIDO MÍNIMO HORIZONTAL DE 3 PIES (1,5M) INCLUIR TAPA DE TERMINACIÓN LARGO HORIZONTAL MÁXIMO Y CANTIDAD DE CODOS. CONSULTAR TABLA 2.**

**NO SE PERMITE COMPARTIR LA VENTILACIÓN AL VENTILAR HORIZONTALMENTE EL CALEFACTOR FIGURA 3**



## VENTILACIÓN HORIZONTAL - INSTALACIÓN RESIDENCIAL INCLINACIÓN HACIA ARRIBA



**NOTA - RECORRIDO MÍNIMO HORIZONTAL DE 3 PIES (1,5M)  
INCLUIR TAPA DE TERMINACIÓN  
LARGO HORIZONTAL MÁXIMO Y CANTIDAD DE CODOS. CONSULTAR TABLA 2.**

**NO SE PERMITE COMPARTIR LA VENTILACIÓN AL VENTILAR HORIZONTALMENTE EL CALEFACTOR**

**FIGURA 5**

### F - VENTILACIÓN USANDO UNA CHIMENEA DE MAMPOSTERÍA

Los siguientes requisitos adicionales se aplican cuando se utiliza una chimenea de mampostería recubierta para ventilar el calefactor.

1. La chimenea de mampostería que se use para ventilar unidades calefactoras de categoría I deberán estar recubiertas con baldosas, con un sistema de recubrimiento metálico aprobado o con una ventilación de gas dedicada. Las chimeneas de mampostería sin revestimiento están prohibidas. Un artefacto de categoría I nunca debe conectarse a una chimenea proveniente de un artefacto alimentado a combustible sólido. Si se utiliza la chimenea de un hogar para ventilar este artefacto, la abertura hacia el hogar debe sellarse permanentemente.
2. Un calefactor con soplador normalmente puede ventilarse hacia una chimenea de mampostería con recubrimiento siempre que:
  - La chimenea esté conectada actualmente a por lo menos un artefacto con campana de tiro.
  - El conector de ventilación y la chimenea tengan las dimensiones de acuerdo con las tablas de la Norma nacional de gas combustible (EE.UU.), ANSI Z223.1 o con la CSA B149.1 (Canadá) Norma de instalación de gas natural y propano.

**IMPORTANTE:** La ventilación de un solo calefactor con soplador hacia una chimenea de mampostería recubierta con baldosas (pared interior o exterior) está prohibida. Hay que revestir primero la chimenea con un material de ventilación tipo B-1 o con un sistema de ventilación flexible de una sola pared, dimensionado de acuerdo con las tablas de ventilación de la Norma nacional de gas combustible (EE.UU.), ANSI Z223.1 o con la CSA B149.1 (Canadá) Norma de instalación de gas natural y propano.

3. Una ventilación tipo B-1 o el recubrimiento de una chimenea de mampostería debe terminar por encima de la superficie del techo con una tapa aprobada o con un mecanismo aprobado para techo de acuerdo con los términos de sus respectivas aprobaciones y de las instrucciones del fabricante.
4. No instale un reductor manual, un regulador barométrico de flujo o un reductor de aire de combustión entre el calefactor y la chimenea.
5. Si utiliza una ventilación B-1 de pared doble dentro de una chimenea, no se puede ventilar ningún otro artefacto en esa chimenea. La pared exterior de conductos de ventilación tipo B-1 no

puede estar expuesta a productos de combustión.

6. La aislación para las tuberías flexibles de ventilación debe ser una manga encapsulada de fibra de vidrio recomendada por el fabricante del conducto flexible de ventilación.
7. El espacio entre el recubrimiento y la pared de la chimenea NO debe aislarse con mica purificada ni con cualquier otro material de aislación granular suelto.
8. Si no se puede utilizar una ventilación tipo B-1 o un conducto flexible aislado de ventilación como revestimiento, hay que reconstruir la chimenea para utilizar uno de estos métodos o algún otro método alternativo aprobado para ventilar el artefacto. Cuando la inspección revela que una chimenea existente no es segura para el uso planeado, deberá reconstruirse para cumplir con las normas reconocidas nacionalmente, recubierta con los materiales adecuados o reemplazada por una ventilación para gas u otra chimenea adecuada para ventilar calefactores. El interior de la chimenea debe revisarse periódicamente para verificar que no tenga obstrucciones.

### G - REMOCIÓN DE LA UNIDAD DE UNA VENTILACIÓN EN COMÚN

En caso de remover un calefactor existente de un sistema de ventilación compartido por varios artefactos a gas, es probable que ese sistema de ventilación quede demasiado grande como para ventilar correctamente los artefactos que queden conectados al mismo. Hay que realizar la siguiente prueba mientras cada uno de los artefactos se encuentre funcionando y los artefactos restantes no estén encendidos, pero sí conectados al sistema de ventilación en común. Si el sistema de ventilación se instaló incorrectamente, debe corregirse.

1. Selle todas las aberturas sin usar del sistema de ventilación en común.
2. Inspeccione visualmente el sistema de ventilación para verificar que tenga el tamaño y la inclinación adecuados. Determine que no existan obstrucciones o restricciones, fugas, corrosión o cualquier otra deficiencia que podría causar una condición de inseguridad.
3. Si se puede, cierre todas las puertas y ventanas del edificio y todas las puertas entre los lugares donde se encuentran los otros artefactos conectados al sistema de ventilación en común y otros espacios del edificio. Encienda las secadoras de ropa y cualquier

otro artefacto que no esté conectado al sistema de ventilación en común. Encienda todos los extractores de aire, como los de la cocina y el baño, para que funcionen a su máxima velocidad. No encienda los extractores de aire de verano. Cierre las compuertas de los hogares.

4. Siga las instrucciones de encendido. Haga funcionar el artefacto que esté inspeccionando. Ajuste el termostato de modo que el artefacto funcione constantemente.
5. Fíjese si hay desborde por la abertura de liberación de la campana de extracción luego de cinco minutos de que el quemador principal esté funcionando. Use la llama de un fósforo o de una vela, o el humo de un cigarrillo, cigarro o pipa.
6. Luego de haber determinado que cada uno de los artefactos que queden conectados al sistema de ventilación en común se ventile correctamente al probarlos de la forma indicada anteriormente, vuelva a colocar las puertas, ventanas, ventiladores de extracción, compuertas de hogares y cualquier otro artefacto a gas en las condiciones en que estaban antes de la prueba.
7. Si nota una ventilación inadecuada durante cualquiera de las pruebas anteriores, tendrá que corregir el sistema de ventilación en común. El sistema de ventilación en común deberá redimensionarse para acercarse al tamaño mínimo determinado por las tablas adecuadas.

## CONEXIONES ELÉCTRICAS

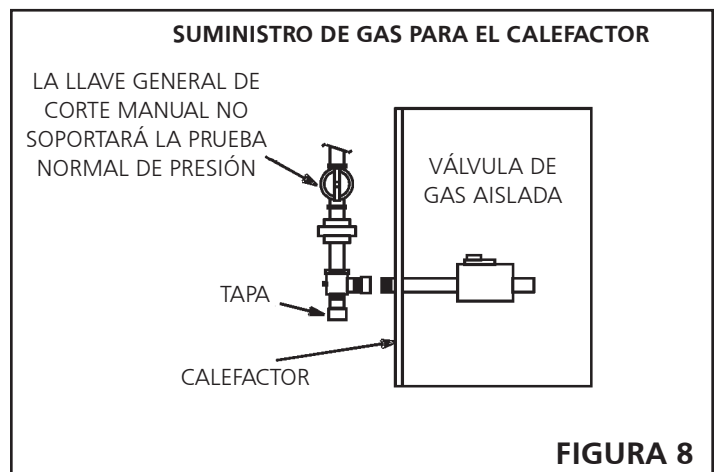
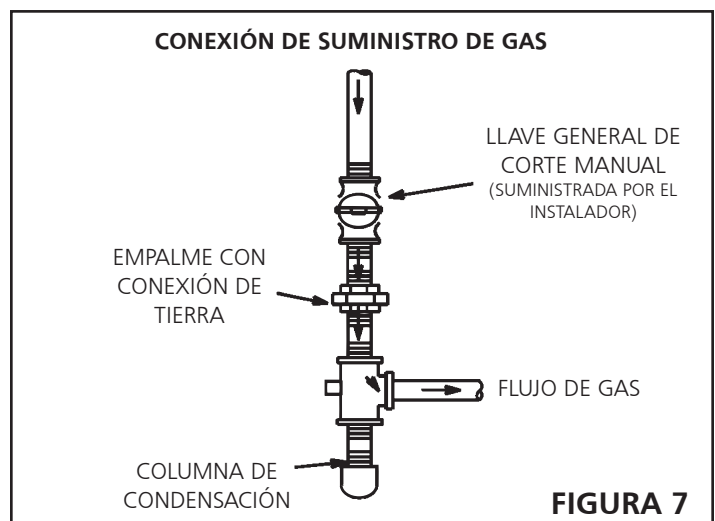
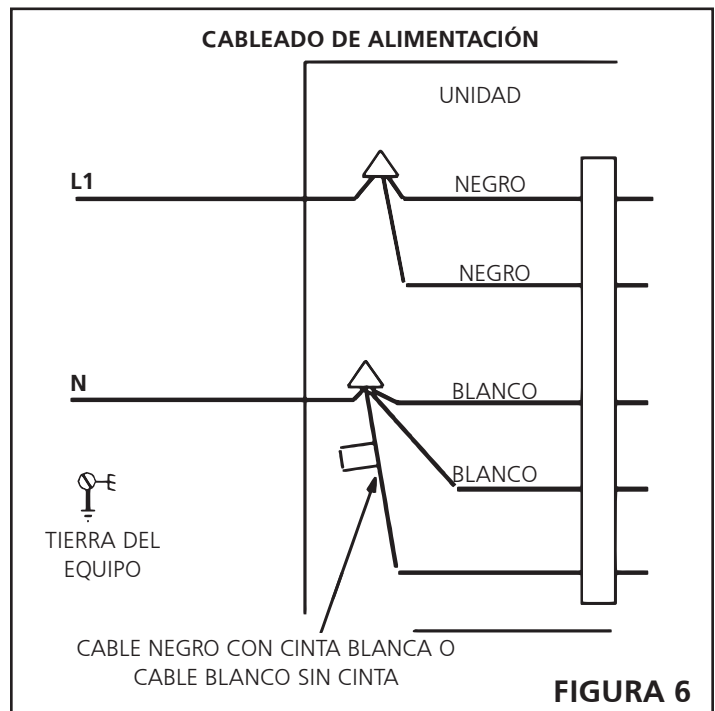
**NOTA:** Los calefactores de la serie HSU usan un sistema de encendido directo por chispa. No necesitan un piloto ya que la chispa enciende el quemador principal cuando se abre la válvula del gas. La placa de control del encendido directo emite ruido de radiofrecuencia al encender el quemador. El nivel de energía puede ser suficiente como para interferir con un circuito digital en un termostato controlado por microprocesador. Le recomendamos utilizar un relé de aislación al conectar el calefactor a un termostato controlado por microprocesador. Elija la protección del circuito y el tamaño de los cables de acuerdo con la placa de especificaciones de la unidad. Instale una llave separada de desconexión (protegida por fusibles o llaves térmicas) cerca de la unidad para poder desconectar la alimentación al repararla. Remueva la tapa de la caja de conexiones eléctricas y conecte los cables a través de uno de los orificios de la caja, al costado del calefactor. Consulte el diagrama de cableado del calefactor por información acerca de la conexión. Use cable calibre 18 o mayor para las conexiones de alimentación. Asegúrese de conectar los cables de alimentación en la caja externa de conexión eléctrica detrás de la tapa de la caja de conexiones. **NO CONECTE LA ALIMENTACIÓN A LOS TERMINALES DEL TERMOSTATO, EN LA PARTE EXTERIOR DEL CALEFACTOR.**


Conecte la unidad a tierra de acuerdo con las normas locales, y en su defecto, de acuerdo con la actual Norma nacional de electricidad (ANSI/NFPA No. 70) en los EE.UU., y la actual Norma eléctrica canadiense CSA C22.1 parte 1 en Canadá.


**NOTA:** El cable de tierra desnudo debe cubrirse con cinta aisladora para evitar daños al sistema eléctrico.


Haga las conexiones al voltaje de línea como se indica en la figura 6. Conecte el cableado del lugar como se indica en el diagrama de cableado de la unidad. También, consulte el diagrama típico de este manual.


Si desea usar el soplador solamente para hacer circular el aire, su termostato deberá tener un ajuste de "fan only" o selecciones de ventilador. Si su termostato tiene esta opción, deberá instalar un cable adicional hasta el terminal "G" del bloque de conexiones del termostato. Vea el esquema de cableado en la página 35.



<b>⚠ ADVERTENCIA</b>	
	<b>Riesgo de descarga eléctrica. Podría causar lesiones o la muerte. No use este calefactor si alguna de las piezas ha estado bajo el agua. Contáctese de inmediato con un técnico de mantenimiento calificado para que inspeccione el calefactor y reemplace cualquier pieza del sistema de control y control de gas que haya estado bajo el agua..</b>

<b>⚠ ADVERTENCIA</b>	
	<b>Peligro de explosión. Podría causar lesiones o dañar el producto y otras cosas. Si se produce un sobrecalentamiento, o si el suministro de gas no se cierra, cierre la llave manual de gas que alimenta el artefacto antes de desconectar la energía eléctrica.</b>

<b>⚠ ADVERTENCIA</b>	
	<b>Riesgo de descarga eléctrica. Podría causar lesiones o la muerte. Antes de intentar cualquier reparación o mantenimiento, corte la alimentación eléctrica de la unidad desde la llave general. Puede llegar a tener varias llaves de alimentación.</b>

<b>⚠ ADVERTENCIA</b>	
	<b>Peligro de explosión e incendio. Podría causar lesiones o dañar el producto y otras cosas. Debe seguir exactamente estas instrucciones.</b>

## CONEXIÓN DE GAS

Al conectar las líneas de suministro de gas, hay que considerar la longitud de la tubería desde el medidor hasta el calefactor al calcular el tamaño de la tubería para evitar una caída de presión excesiva. Hay que mantener una presión de línea de 7" (178 mm) de columna de agua para el gas natural al diseñar la tubería.

Hay que mantener una presión de línea de 13" (330 mm) de columna de agua para gas propano (LP). **NOTA:** Los compuestos utilizados en las roscas de las uniones de la tubería de gas deben ser resistentes a los gases licuados de petróleo.

<b>⚠ ADVERTENCIA: PARA EVITAR DAÑOS AL CALEFACTOR. AL UTILIZAR UN TANQUE DE PROPANO PARA ALIMENTAR EL CALEFACTOR, SE REQUIERE UN REGULADOR DE PRESIÓN CON UNA MÍNIMA DE 11" DE COLUMNA DE AGUA Y UNA MÁXIMA DE 14" DE COLUMNA DE AGUA. ESTE REGULADOR DEBE INSTALARSE ENTRE EL TANQUE Y EL CALEFACTOR. El regulador no viene incluido con el calefactor.</b>
--

Para dimensionar correctamente el tamaño de los caños, consulte la Norma nacional de gas combustible (EE.UU.), ANSI Z223.1 o con la CSA B149.1 (Canadá) Norma de instalación de gas natural y propano, o consulte con la empresa proveedora que tenga jurisdicción.

Hay que instalar una columna de condensación en el caño vertical que se dirige a la unidad. En algunas localidades, las normas pueden requerir la instalación de una llave de corte manual general y una unión (suministradas por el instalador) externas a la unidad. La unión debe ser del tipo con conexión a tierra. La columna de condensación debe ser accesible para poder limpiarla y vaciarla. Ver la **figura 7**.

**NOTA:** Deje una separación mínima de 4" entre la parte de atrás del calefactor y la caja de conexiones eléctricas para permitir se acceso.

Hay que instalar una conexión NPT de 1/8" tapada inmediatamente corriente arriba de la conexión de alimentación de gas del calefactor. Es para poder verificar que exista la presión de gas adecuada a la entrada del calefactor.

Unidad compacta/Calefactor de trabajador

## VERIFICACIÓN DE FUGAS

**CUIDADO:** NO utilice fósforos, velas, llamas u otras fuentes de ignición para detectar fugas de gas.

Luego de completar las tuberías, revise cuidadosamente todas las conexiones (las de fábrica y las realizadas en el lugar) para verificar que no tengan fugas. Utilice una solución de agua jabonosa u otro método adecuado.

Debido a los ciclos naturales de calentamiento y a la vibración de la unidad, se recomienda como parte de su mantenimiento anual, revisar que estas conexiones estén bien ajustadas y que no presenten fugas, con una solución de agua jabonosa u otro método adecuado antes de poner en servicio la unidad.

**IMPORTANTE** Hay que desconectar el calefactor y su llave de corte individual del caño de suministro de gas durante cualquier prueba de presión o del sistema cuando la presión de prueba exceda 1/2 psig (3,45kPa).

Hay que aislar el artefacto de la tubería de alimentación de gas cerrando su llave de paso manual individual durante cualquier prueba de presión del sistema de suministro de gas para presiones de prueba iguales o mayores a 1/2 psig (3,45kPa). Ver la **figure 8**.

**NOTA** En caso de necesitar un apagado de emergencia, cierre la llave general de gas y desconecte la alimentación eléctrica de la unidad. El instalador debe rotular correctamente esos dispositivos.

## ENCENDIDO Y FUNCIONAMIENTO

### ENCENDIDO DE LA UNIDAD

POR SU SEGURIDAD, LEA ESTO ANTES DE ENCENDERLA

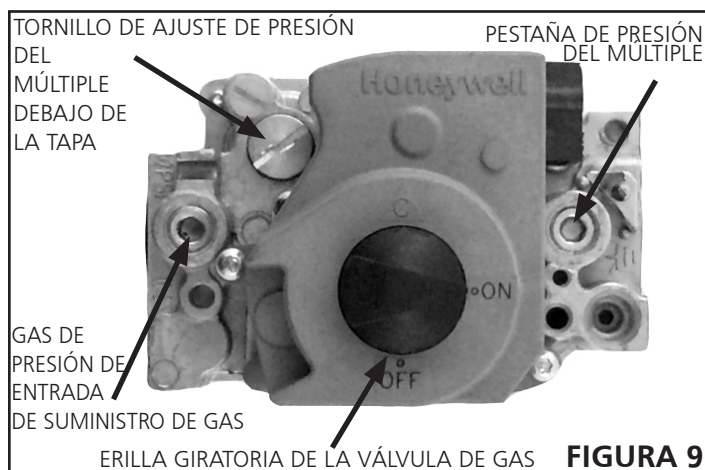
**ANTES DE ENCENDERLA**, huela alrededor del área del artefacto para verificar que no haya olor a gas. Asegúrese de oler cerca del piso ya que algunos gases son más pesados que el aire y se acumulan en el piso..

Use únicamente su mano para abrir la perilla de control del gas. Nunca use herramientas. No use demasiada fuerza para mover la llave desde la posición de apagado a la de encendido. El forzarla o intentar repararla puede causar un incendio o explosión.

Los calefactores HSU 50/80/125 están equipados con un sistema automático de encendido por chispa. No tienen piloto. En caso de un apagado de seguridad, mueva la llave del termostato a OFF (apagado) y luego vuelva a colocarla en la posición de HEAT (calefacción).

Si se produce un sobrecalentamiento, o si el suministro de gas no se cierra, cierre la llave manual de gas que alimenta el artefacto antes de desconectar la energía eléctrica.

### FUNCIONAMIENTO DE LA VÁLVULA DE GAS PARA LAS VÁLVULAS HONEYWELL SERIE VR8205M



**FIGURA 9**



1. ¡**DETÉNGASE!** Asegúrese de haber leído y comprendido toda la información de seguridad acerca de la operación de este artefacto a gas. Cualquier y toda reparación debe ser realizada por un instalador matriculado.
2. Coloque el termostato en su posición más baja..
3. Desconecte toda alimentación eléctrica al artefacto..
4. TEste artefacto está equipado con un dispositivo de ignición que enciende el quemador automáticamente. NO intente encender los quemadores de forma manual.
5. Hay una perilla giratoria negra que se puede mover entre las posiciones de encendido y apagado. Gire la perilla a la posición "off" (apagado). (Ver figura 9).
6. Espere cinco minutos para que se disipe el gas. ¡Si aún siente olor a gas, **DETÉNGASE!** Llame inmediatamente a la compañía de gas desde el teléfono de un vecino. Siga las instrucciones de la compañía de gas. Si no siente olor a gas, continúe con el paso siguiente.
7. Gire la perilla negra a la posición "ON" (encendido).
8. Conecte la energía eléctrica a la unidad.
9. Coloque el termostato en la posición deseada.
10. Se encenderá el soplador de aire de combustión. Los quemadores se encenderán dentro de los 30 segundos.
11. Si la unidad no se enciende la primera vez (línea de gas no está completamente purgada), intentará encenderse hasta dos veces más antes de bloquearse.
12. Si se bloquea, repita los pasos 1 al 9.
13. Si el artefacto sigue sin funcionar, siga las instrucciones "CÓMO CERRAR EL GAS DEL ARTEFACTO" y llame a su técnico gasista o a la compañía de gas.

## CÓMO CERRAR EL GAS DEL ARTEFACTO

1. Coloque el termostato en su posición más baja.
2. Apague toda alimentación eléctrica al artefacto si va a efectuar cualquier reparación.
3. Gire la perilla negra a la posición OFF.

## SECUENCIA DE OPERACIÓN DEL CALEFACTOR

1. Cuando el termostato activa la calefacción, el quemador de aire de combustión arranca inmediatamente.
2. El interruptor de presión de aire de combustión verifica el funcionamiento del soplador antes de permitir la alimentación del controlador de encendido. Este interruptor viene ajustado de fábrica y no necesita ningún ajuste.
3. Luego de un purgado previo de aproximadamente 30 segundos, se activa la chispa de encendido y la válvula de solenoide abre el paso del gas.
4. Luego la chispa enciende el gas, el sensor de encendido verifica que haya llama y continúa el proceso de combustión.
5. Si no se detecta llama luego de 10 segundos de intentar el encendido, el controlador repetirá los pasos 3 y 4 dos veces más antes de bloquear la válvula de gas. **Consulte la tabla 3 de la placa del controlador de encendido.** El control de encendido repetirá automáticamente los pasos 3, 4 y 5 luego de 60 minutos. Para interrumpir el período de bloqueo de 60 minutos, mueva el termostato de HEAT a OFF y luego nuevamente a HEAT. La secuencia volverá a comenzar desde el paso 1.
6. El quemador debería encender sin ninguna demora apreciable. No debería haber ninguna llama más alta que los cabezales del quemador, ni llamas de retorno o quemaduras dentro del quemador. Las llamas deberían ser predominantemente azules y deberían estar aproximadamente centradas en los tubos

sin superponerse. Si las características de su quemador no corresponden con lo mencionado anteriormente, consulte la sección de resolución de problemas.

7. El control de encendido activará el ventilador aproximadamente 45 segundos después del encendido.
8. Cuando se llega a la temperatura seleccionada en el termostato, se cierra la válvula de gas; 5 segundos después se apaga el soplador de aire de combustión.
9. El centro de control debería apagar el ventilador del sistema aproximadamente 150 segundos después de desactivar la válvula de gas.

## LED DE CONTROL DE ENCENDIDO

La tarjeta de control de encendido tiene un LED verde que indica lo siguiente:

**TABLA 3**  
**LED DE CONTROL DE ENCENDID**

LED	FUNCIONAMIENTO DE LA UNIDAD
Parpadeo lento*	Funcionamiento normal - No se necesita calefacción.
Parpadeo rápido	Funcionamiento normal - Se necesita calefacción Señal de corriente en el terminal FLAME de 0,6 a 1,0 microamperios
2 parpadeos	Sistema bloqueado - no se pudo detectar o mantener la llama Señal de corriente en el terminal FLAME < 0,6 microamperios
3 parpadeos	El interruptor de presión falló cerrado antes de energizar CAB o falló abierto luego de energizar CAB
4 parpadeos	Interruptor de límite superior o de seguridad abierto
5 parpadeos	Se detectó llama con la válvula de gas desactivada
Constantemente apagado	Pérdida de energía/Revisar el fusible de 3 A de la placa del circuito
Constantemente encendido	Falla del control de encendido
*Cuando se ajusta el termostato en el modo de ventilador continuo, el LED parpadeará lentamente.	

## PERSIANAS

Rote las persianas para dirigir el flujo de aire hacia arriba, hacia abajo, derecho o en cualquier combinación de esas direcciones. Cuando se instala la unidad en posición invertida, las persianas se pueden posicionar de la misma forma.

## INTERRUPTOR DE PRESIÓN DE AIRE DE COMBUSTIÓN

Este interruptor de presión verifica el correcto funcionamiento del soplador de aire de combustión antes de intentar el encendido. Este interruptor viene ajustado de fábrica y no necesita ningún ajuste. Si el LED parpadea 3 veces, verifique que la ventilación no esté bloqueada. Luego, remueva el extremo del tubo del interruptor de presión de la manguera estriada del EXTRACTOR DE AIRE. Puede haber una obstrucción en la entrada de la manguera. Limpie la obstrucción con un objeto delgado que pueda entrar en la abertura de la manguera. Empújelo a lo largo de toda la longitud de la manguera Y TAMBIÉN otra 1/2 pulgada por lo menos, dentro de la cubierta del extractor. Esto removerá cualquier cosa que impida que el vacío active el interruptor de presión.

## INTERRUPTOR DETECTOR DE LLAMA

El interruptor detector de llama está ubicado en la parte superior de la caja del quemador, detrás del interruptor de control de encendido. Este interruptor normalmente cerrado, se abre cuando aumenta la temperatura. Revise que exista el aire de combustión adecuado antes de reiniciar manualmente este interruptor.

## LUGARES MUY ALTOS

Estas unidades pueden funcionar a plena entrada hasta una altitud de 2000 pies (610 m) sobre el nivel del mar. Por encima de los 2000 pies (610 m), algunas unidades requieren un ajuste en el múltiple. Ajuste el regulador de presión a la presión indicada en la **tabla 4** para gas natural y en la **tabla 5** para gas propano.

<b>Tabla 4</b> <b>PRESIONES DEL MÚLTIPLE PARA GAS NATURAL PULG. COL. AGUA (KPA)</b>		
<b>HSU 50/80/125</b>	<b>ALTITUD PIES (M)</b>	
		0-2000 (0-610)
HSU 50/80/125	4,0"WC (0,99 KPA)*	3,6"WC (0,89 KPA)
*NO REQUIERE AJUSTE		

<b>Tabla 5</b> <b>PRESIONES DEL MÚLTIPLE PARA GAS LP/PROPANO PULG. COL. AGUA (KPA)</b>		
<b>HSU 50/80/125</b>	<b>ALTITUD PIES (M)</b>	
		0-2000 (0-610)
HSU 50/80/125	10"WC (2,62 KPA)*	8,5"WC (2,12KPA)
*NO REQUIERE AJUSTE		

## FLUJO DE GAS

Para verificar el flujo correcto de gas a la cámara de combustión, determine la entrada en BTU de la placa de especificaciones del artefacto. Divida esa entrada por los BTU por pie cúbico de gas disponible. El resultado es la cantidad requerida de pies cúbicos por hora. Determine el flujo de gas por el medidor de gas durante dos minutos, y multiplíquelo por 30 para obtener el flujo de gas por hora.

## PRESIÓN DE GAS

1. Verifique la presión del gas con la unidad funcionando al máximo. Hay que mantener un mínimo de 5,0" de columna de agua para gas natural o 10,9" de columna de agua para gas LP/Propano para que la unidad funcione correctamente.
2. Después de verificar y ajustar la presión de la línea, verifique la presión del múltiple. La presión correcta del múltiple se indica en la placa de especificaciones de la unidad. Consulte la **figura 9** por la ubicación del tornillo de ajuste de la presión de gas. Se necesita un juego de conversión de gas natural a LP/Propano para convertir la unidad. Consulte las instrucciones de instalación suministradas con el juego de conversión para instalarlo.

## REPARACIÓN

**CUIDADO** Corte la entrada de gas y de energía eléctrica a la unidad antes de realizar cualquier mantenimiento o reparación sobre la misma. Recuerde seguir las instrucciones de encendido al volver a poner la unidad en funcionamiento luego de realizar la reparación o el mantenimiento.

Si hay que reemplazar cualquiera de los cables originales que vienen con el artefacto, debe reemplazarse por un cable apto para una temperatura de por lo menos 105 °C. No use este artefacto si alguna de las piezas ha estado bajo el agua. Llame inmediatamente a un técnico de mantenimiento calificado para que inspeccione el artefacto y reemplace cualquier pieza del sistema de control del gas que haya estado bajo el agua.

## QUEMADORES

1. Revise periódicamente las llamas del quemador para asegurarse de que estén en condiciones durante la temporada de calefacción.
2. Antes de cada temporada de calefacción, verifique que los quemadores no tengan depósitos ni obstrucciones..
3. Limpie los quemadores de la siguiente forma:
  - Corte el suministro de gas y de energía eléctrica a la unidad.
  - Desconecte el caño de suministro de gas y los cables de alta tensión

y del sensor. Remueva el múltiple. Remueva la bandeja de los quemadores.

- Limpie los quemadores se ún sea necesario. Verifique que los cabezales del quemador estén correctamente alineados para asegurar que se crucen las llamas. Revise la separación del electrodo de la chispa y ajústelo si fuera necesario. La separación debe estar entre 0,110" y 0,140" (2,79 mm y 3,56 mm). Puede verificar la separación con brocas helicoidales adecuadas o con una galga de espesores.
- Vuelva a instalar la bandeja de los quemadores y los cables de alta tensión y del sensor. Vuelva a conectar la tubería de suministro de gas.
- Restablezca el suministro de gas y de energía eléctrica. Siga las instrucciones de encendido para encender la unidad. Compruebe que se hayan encendido los quemadores.

## CONDUCTO Y CAJA DE GAS DE COMBUSTIÓN

Antes de cada temporada de calefacción, se deben inspeccionar y limpiar los conductos y la caja del gas de combustión. La secuencia de operación debe ser la siguiente:

1. Desconecte la unidad del suministro de gas y de la energía eléctrica.
2. Desconecte el cableado del soplador de aire de combustión.
3. Saque los tornillos que fijan la caja de combustión a la unidad. Saque la caja de combustión. Si fuera necesario, saque el quemador de la caja de combustión. Limpie la caja de combustión con un cepillo de alambre.
4. Saque el soporte de retención del generador de turbulencia y los generadores de turbulencia. Limpie los generadores de turbulencia con un cepillo de alambre.
5. Remueva los quemadores como se describe en la sección "QUEMADORES".
6. Limpie los tubos con un cepillo de alambre.
7. Vuelva a armar la unidad. También debe reemplazar las juntas de aire de combustión y de la caja de combustión al volver a armar la unidad.
8. Restablezca el suministro de gas y de energía eléctrica. Siga las instrucciones de encendido para encender la unidad. Verifique el funcionamiento de la unidad.

## SOPLADOR DE AIRE DE COMBUSTIÓN

Bajo condiciones normales de funcionamiento, hay que revisar y limpiar el soplador de aire de combustión antes de cada temporada de calefacción con la alimentación eléctrica desconectada. Use el cepillo pequeño para limpiar la rueda del soplador.

## INSTALACIÓN ELÉCTRICA

1. Verifique que todas las conexiones estén firmes.
2. Verifique el voltaje correcto en la unidad (con la unidad funcionando).
3. Verifique el consumo de corriente.

## COMBUSTIÓN Y CHIMENEA

Verifique que todas las ventilaciones y conexiones de ventilación estén bien ajustadas. Verifique que las conexiones estén selladas y que no existan obstrucciones.

## FALLAS DE FUNCIONAMIENTO

Si la unidad no funciona, revise lo siguiente:

1. ¿El termostato está pidiendo calor?
2. ¿Está encendida la llave general de alimentación?
3. ¿Hay una llave térmica abierta o un fusible quemado?
4. ¿Está abierta la llave de gas en el medidor?
5. ¿Está abierta la llave de paso manual?
6. ¿Está bloqueado el sistema de encendido?
7. ¿Está cerrado el interruptor de presión? La combustión obstruida hará que se apague la unidad mediante el interruptor de presión. Revise el conducto y la salida de combustión

# DIAGRAMA DE CABLEADO

P	24V Power
D+	DATA +
R	24 Vac ENERGÍA
G	CONTROL DE VENTILADOR OPCIONAL
W	CALOR 1
C	CORRIENTE
D-	DATA -

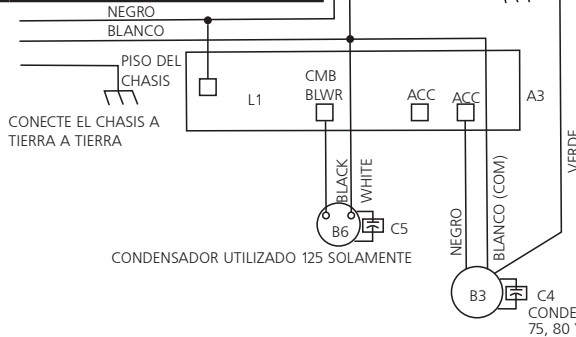
⚠ CARGA MÁXIMA PARA NO EXCEDER 20VA AT 24V, CLASE 2

⚠ (2) S47 S47 UTILIZADO EN 75, 80 Y 125 SOLAMENTE

NOTA- SI SE REEMPLAZA ALGÚN CABLE EN ESTE APARATO, DEBE REEMPLAZARSE CON ALAMBRE DE TAMAÑO, CALIFICACIÓN Y ESPESOR DE AISLAMIENTO SIMILARES..

ADVERTENCIA- EL RIESGO DE DESCARGA ELÉCTRICA PUEDE CAUSAR LESIONES O LA MUERTE. LA UNIDAD DEBE CONECTARSE A TIERRA DE ACUERDO CON LOS CÓDIGOS NACIONALES Y LOCALES. ¡DESCONECTE TODA LA ENERGÍA ANTES DE REALIZAR EL SERVICIO!

DESCRIPTION	
KEY	COMPONENT
A3	TABLERO DE CONTROL (PCB)
B3	MOTOR - CIRCULACIÓN
B6	INDUCTOR DE AIRE DE COMBUSTION MOTOR
C4	CONDENSADOR-MOTOR DEL VENTILADOR1
C5	CONDENSADOR-MOTOR DE TIRO INDUCIDO
DL36	RELÉ - RETRASO (NA A ESTOS MODELOS)
GV1	VÁLVULA-GAS
S10	CAMBIAR-GAS PRIMARIO
S18	CAMBIAR-SOPLADOR DE AIRE DE COMBUSTIÓN
S47	CAMBIAR-LANZAMIENTO DE LLAMA
T1	TRANSFORMADOR-CONTROLAR



— CAMPO DE VOLTAJE DE LÍNEA INSTALADO  
 - - - CABLEADO DEL ANALÓGICO TERMOSTATO  
 - - - CABLEADO DEL DIGITAL TERMOSTATO

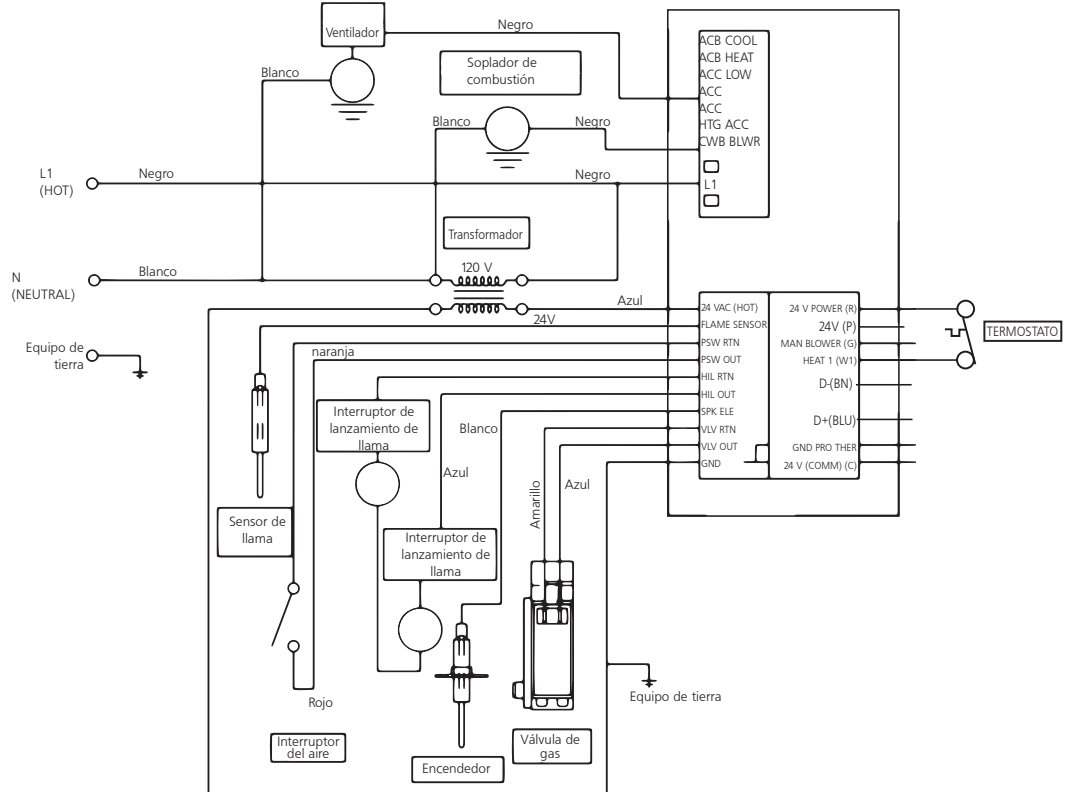
### INSTALACIÓN DEL TERMOSTATO OPCIONAL

SE RECOMIENDA UTILIZAR ALAMBRE 18 AWG AL INSTALAR EL TERMOSTATO. CONECTE EL CABLEADO DEL ANALÓGICO TERMOSTATO A LOS TERMINALES 'R' Y 'W', SEGÚN SE ILUSTRA EN EL DIAGRAMA ESQUEMÁTICO O CONECTE UN TERMOSTATO DIGITAL / WIFI A 'R' 'W' 'C' COMO ILUSTRADO

NOTA: LAS CONEXIONES DEL TERMINAL DEL TERMOSTATO SE MONTAN EN EL PANEL TRASERO DEL CALENTADOR.

TIRA TERMINAL DE TERMOSTATO EXTERNO ADVERTENCIA: **NO CONECTE LA ALIMENTACIÓN DE LÍNEA A LA TIRA TERMINAL DEL TERMOSTATO.**

# LADDER DIAGRAM



# INSTRUCCIONES PARA CONVERSIÓN DE COMBUSTIBLE

## Sección 1 JUEGOS DE CONVERSIÓN DE COMBUSTIBLE

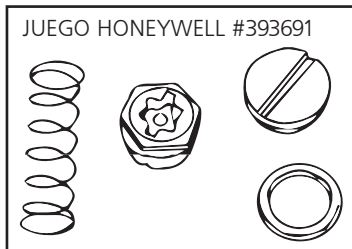
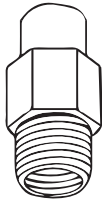
### Para conversión de gas natural a L.P.

Model Number ACCUSELLE #	This appliance was converted on _____ (Month) to _____ Gas with kit No. _____ by _____
Serial Number Número de serie	(Name and address of organization making this conversion, which accepts the responsibility that this conversion has been properly made.)
Model Part Número de pieza	(Name and address of organization making this conversion, which accepts the responsibility that this conversion has been properly made.)
Date Fecha	Kit accepted / a été converti le _____ (jour-mois-année) pour fonctionner au gaz _____ à l'aide de la traçante / _____ par _____
Conversion Date Conversion au gaz	(Name of address of organization who effected the conversion, who accepts full responsibility for the conversion.)
Use only parts of the manufacturer's kit Utiliser uniquement des pièces de l'abonnement au gaz	

Etiqueta de conversión de gas

This control valve has been converted for use with \_\_\_\_\_ gas.  
 Cette commande a été convertie pour fonctionner au gaz \_\_\_\_\_.

Control Conversion Labels



Número de partes del juego de conversión de combustible		
Model #	BTU/HR	Gas natural a LP F260163
HSU 50	50 000	
HSU 80	80 000	
HSU 125	125 000	

No. de parte del orificio  
(Ver tabla más abajo)

Número de parte	Descripción	50	80	125
13575	Etiqueta de conversión de gas	1	1	1
60232	Placa de especificación	1		
60233	Placa de especificación		1	
60234	Placa de especificación			1
11727	Resorte - Válvula de gas (etiqueta incluida)	1	1	1
60156	Orificio L.P.	3	5	8
13576	Control Conversion Label	1	1	1

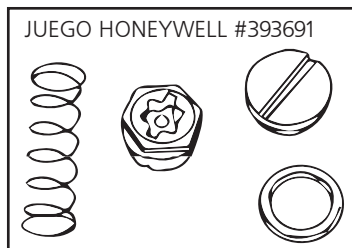
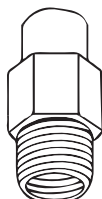
### Para conversión de L.P a gas natural

Model Number ACCUSELLE #	This appliance was converted on _____ (Month) to _____ Gas with kit No. _____ by _____
Serial Number Número de serie	(Name and address of organization making this conversion, which accepts the responsibility that this conversion has been properly made.)
Model Part Número de pieza	(Name and address of organization making this conversion, which accepts the responsibility that this conversion has been properly made.)
Date Fecha	Kit accepted / a été converti le _____ (jour-mois-année) pour fonctionner au gaz _____ à l'aide de la traçante / _____ par _____
Conversion Date Conversion au gaz	(Name of address of organization who effected the conversion, who accepts full responsibility for the conversion.)
Use only parts of the manufacturer's kit Utiliser uniquement des pièces de l'abonnement au gaz	

Etiqueta de conversión de gas

This control valve has been converted for use with \_\_\_\_\_ gas.  
 Cette commande a été convertie pour fonctionner au gaz \_\_\_\_\_.

Control Conversion Labels



Número de partes del juego de conversión de combustible		
Model #	BTU/HR	LP a Gas natural F260164
HSU 50	50 000	
HSU 80	80 000	
HSU 125	125 000	

No. de parte del orificio  
(Ver tabla más abajo)

Part Number	Description	50	80	125
13575	Etiqueta de conversión de gas	1	1	1
60235	Placa de especificación	1		
60236	Placa de especificación		1	
60237	Placa de especificación			1
11727	Resorte - Válvula de gas (etiqueta incluida)	1	1	1
60049	Orificio L.P.	3	5	8
13576	Control Conversion Label	1	1	1



## Sección 2 INSTRUCCIONES DE CONVERSIÓN DE COMBUSTIBLE

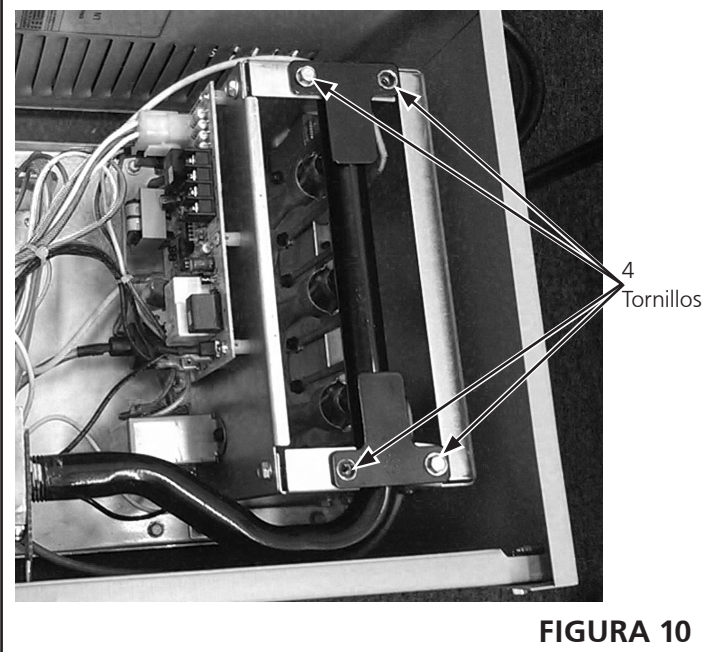


FIGURA 10

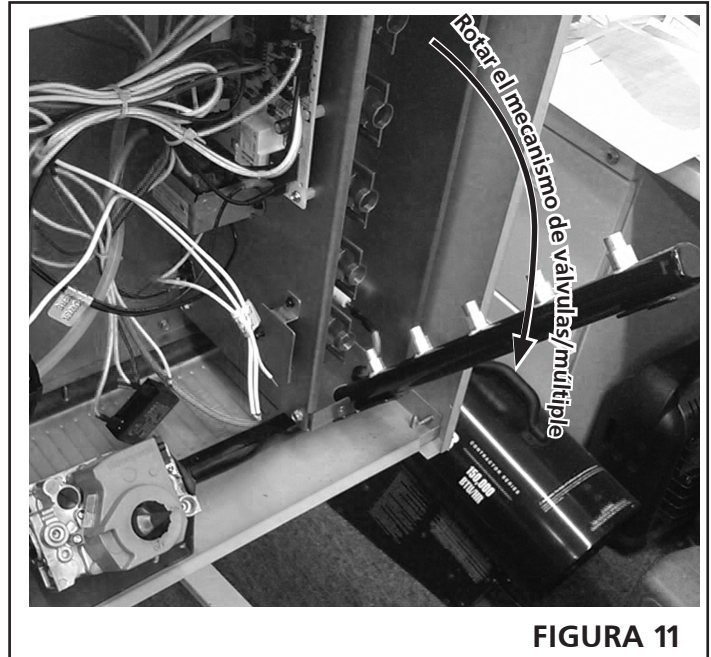


FIGURA 11

### **⚠ ADVERTENCIA: Peligro de explosión**



Cierre el suministro de gas del calefactor antes de realizar cualquier reparación o mantenimiento.

El no seguir estas instrucciones causará la muerte, heridas graves o daños materiales..

### **⚠ ADVERTENCIA: Peligro de electrocución**



Desenchufe el cable de alimentación del tomacorriente antes de realizar cualquier reparación o mantenimiento.

El no seguir estas instrucciones causará la muerte, heridas graves o daños materiales..

**El electrodo y el sensor no se pueden ajustar. NO cambie la ubicación ni la posición como parte de este juego de conversión.**

### **ADVERTENCIA**

Este juego de conversión debe ser instalado por una agencia de servicio calificada, de acuerdo con las instrucciones del fabricante y todos los códigos y requisitos aplicables de la autoridad que tenga jurisdicción. Si no se siguen estas instrucciones al pie de la letra, podría producirse un incendio, una explosión o la generación de monóxido de carbono que provocaría daños materiales, lesiones personales o muertes. La agencia de servicio calificada que realice este trabajo asume la responsabilidad de la conversión adecuada de este artefacto con este juego.

### **Paso 1**

**CUIDADO. LA UNIDAD DEBE ESTAR DESCONECTADA DEL SUMINISTRO DE GAS Y DE ELECTRICIDAD ANTES DE REALIZAR LA CONVERSIÓN.**

### **Paso 2**

Saque y guarde los cuatro tornillos que fijan el múltiple a la caja de combustión (Figura 10). Rote el mecanismo de válvulas/múltiple, alejándolo de los quemadores (Figura 11). El mecanismo de válvulas/múltiple sostiene los orificios (3-HSU50, 5-HSU80, 8-HSU125). Esto permitirá acceder a los orificios del múltiple y al resorte de ajuste de la válvula/regulador.

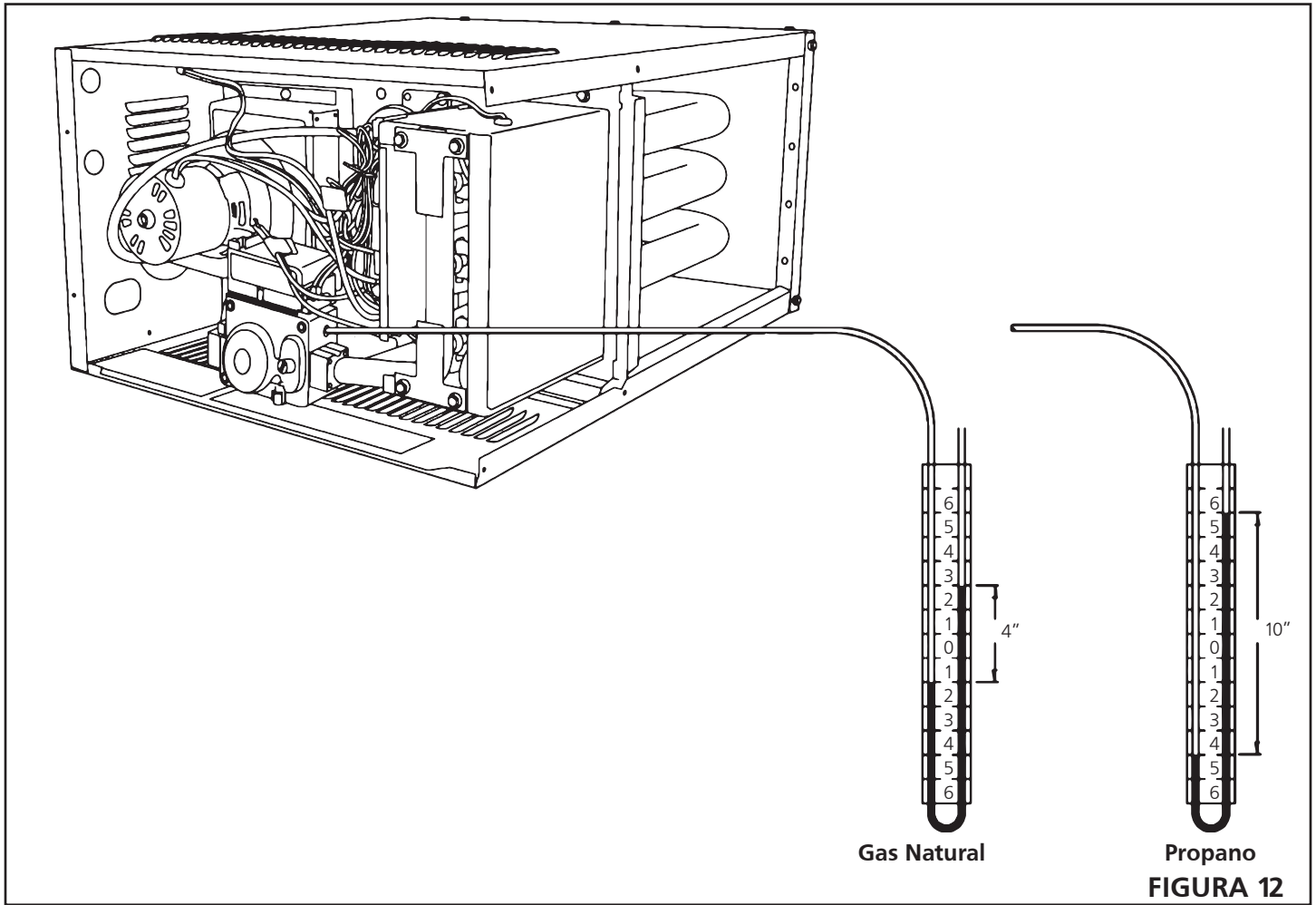
### **Paso 3**

Saque y deseche la tapa del resorte de ajuste de la válvula/regulador de gas con un destornillador plano, girando el tornillo en sentido contra horario. Saque y deseche el tornillo de ajuste del regulador que está debajo de la tapa. Saque y deseche el resorte que está ubicado debajo del tornillo de ajuste. Tome el resorte del juego de conversión y compare el número de parte del juego con la lista de partes de la página 3. Si no coinciden, llame inmediatamente a Heatstar, Inc. para que le envíen el juego correcto. Luego de confirmar que el juego de conversión es el correcto para el modelo de calefactor que está convirtiendo, instale el nuevo resorte y el nuevo tornillo de ajuste. Gire el tornillo de ajuste en sentido horario (hacia adentro) hasta que se detenga, luego gírelo en sentido contra horario (hacia atrás) 1 vuelta y media. Coloque la etiqueta de conversión que viene con el juego del resorte en la válvula, cerca de la abertura de la tapa del tornillo de ajuste.

### **Paso 4**

Saque y deseche los orificios (3-HSU50, 5-HSU80, 8-HSU125) del múltiple con una llave abierta de 1/2". Gírelos en sentido contra horario para removerlos. Tome los nuevos orificios del juego de conversión y antes de instalarlos, confirme que el número estampado en el costado de los mismos coincida con el número del juego que esté instalando. Si no coincide, llame inmediatamente a Heatstar, Inc. para que le envíen el juego correcto. Si son los orificios correctos, instálelos en el múltiple teniendo cuidado para enroscarlos correctamente..





**FIGURA 12**

**Paso 5**

Gire el mecanismo de válvulas/múltiple nuevamente dentro de la caja de combustión, verificando que todos los orificios queden dentro de los quemadores y que no queden atrapados en el anillo de fijación de la parte de atrás de cada quemador. Fije el múltiple a la caja de combustión con los cuatro tornillos removidos en el paso 2.

**Paso 6**

Siga las instrucciones del manual de operación del calefactor para montar el calefactor y conectarle el suministro de gas (revisando con agua jabonosa que ninguna de las conexiones tenga fugas).

**Paso 7**

Remueva el tapón de la válvula de prueba de presión y guárdelo para usarlo después. Conecte un manómetro de tubo en U lleno de agua al puerto de prueba. Vea la Figura 12. Utilice un manómetro porque los medidores de prueba no son confiables y pueden suministrar lecturas falsas.

**Paso 8**

Vuelva a conectar el suministro de energía y abra la llave de paso del gas.

**Paso 9**

Suba el termostato para que pida calefacción, lo cual iniciará la secuencia de encendido del calefactor.

**Paso 10**

Cuando se encienda el quemador, ajuste la presión de gas del múltiple girando el tornillo de ajuste del resorte del regulador que reemplazó en el paso 6. Una vez que haya ajustado la presión, reemplace la cubierta del tornillo de ajuste con una nueva del juego de conversión.



**Disminuir la presión  
Contra horario**



**Aumentar la  
presión Horario**

Consulte la Tabla 6 para conocer los requisitos de presión de entrada y ajuste las presiones del colector según el tipo de gas y la altitud. (Ver Tabla 4 y Tabla 5). Las ilustraciones del manómetro (ver la Figura 12) muestran cada una de las mediciones de presión.

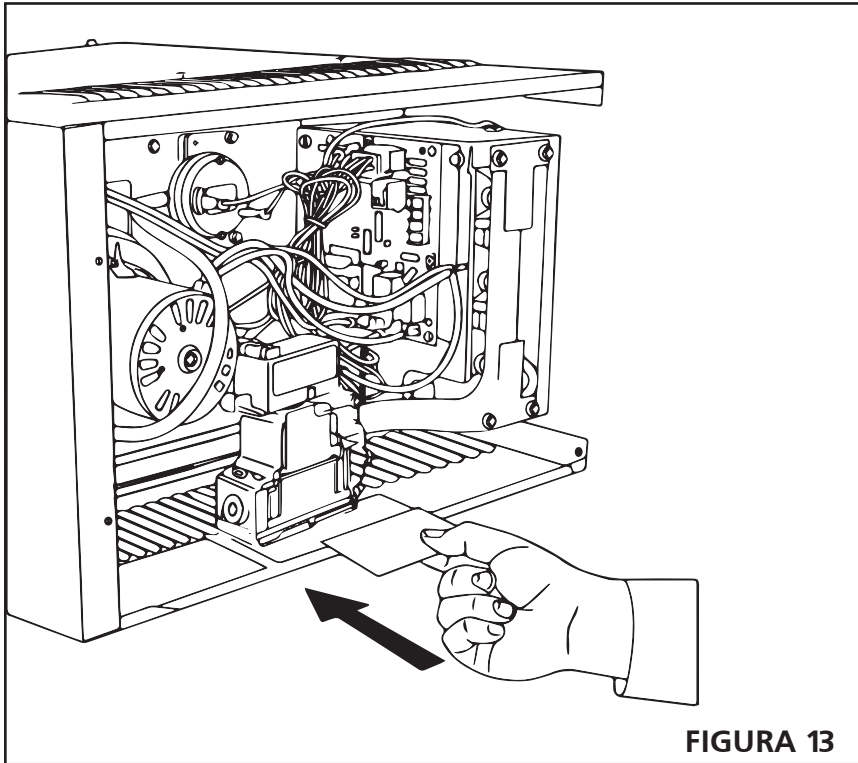
**Paso 11**

Baje el termostato y espere a que el calefactor termine el ciclo de enfriamiento. Luego desconecte la alimentación eléctrica y cierre la llave general de gas al artefacto.

**Paso 12**

Desconecte el manómetro del artefacto y vuelva a colocar el tapón que removió en el paso 6 en el puerto de prueba.

### Sección 3 INSTRUCCIONES DE CONVERSIÓN DE ETIQUETA DE VELOCIDAD



**FIGURA 13**

#### Paso 13

Vuelva a conectar el suministro de energía y abra la llave de paso del gas. Suba el termostato para que empiece a calentar. Una vez que se haya encendido el quemador principal, use agua jabonosa para verificar que ninguna conexión tenga fugas de gas. También recuerde verificar el tapón del puerto de prueba reemplazado en el paso 12. Deje que el calefactor funcione por lo menos durante 5 minutos, luego observe las llamas del quemador principal. Lo normal es una llama azul fuerte que se extienda dentro del tubo. Es aceptable que las puntas sean un poco amarillentas. No existe un ajuste de aire hacia el quemador.

#### Paso 14

Ver la figura 13. Remueva la placa de clasificación según el tipo de gas. Remueva la etiqueta y colóquela sobre la porción existente de la placa. La placa ya viene impresa con toda la información correcta para el calefactor convertido.

#### Paso 15

Saque la placa de clasificación convertida del juego y complete la información. Luego coloque esta placa debajo de la placa actualizada en la unidad.

#### Paso 16

Vuelva a colocar todos los paneles y haga funcionar el calefactor siguiendo todas las advertencias/precauciones e instrucciones del manual de funcionamiento y de las etiquetas.

<b>Tabla 4</b> <b>PRESIONES DEL MÚLTIPLE PARA GAS NATURAL - PULG. COL.</b> <b>AGUA (kPa)</b>		
<b>HSU 50/80/125</b>	<b>ALTITUD PIES (M)</b>	
		0-2000 (0-610)
HSU 50/80/125	4,0" CA (0,99 KPA)*	3,6" CA (0,89 KPA)
*NO REQUIERE AJUSTE		

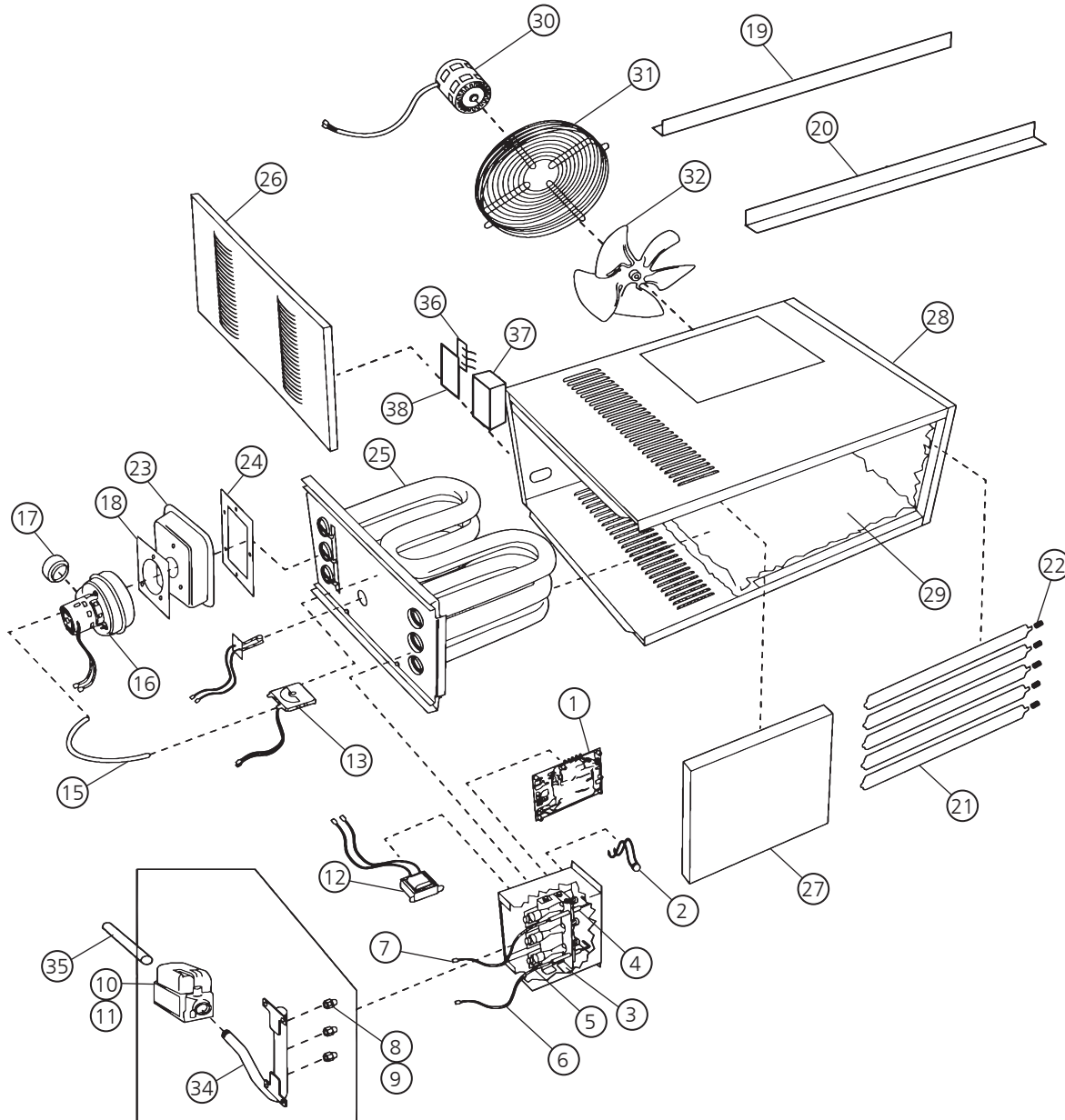
<b>Tabla 5</b> <b>PRESIONES DEL MÚLTIPLE PARA GAS LP/PROPANO - PULG.</b> <b>COL. AGUA (KPA)</b>		
<b>HSU 50/80/125</b>	<b>ALTITUD PIES (M)</b>	
		0-2000 (0-610)
HSU 50/80/125	10" CA (2,49 KPA)*	8,5" CA (2,12 KPA)
*NO REQUIERE AJUSTE		

<b>Tabla 6</b> <b>PRESIONES DE ENTRADA::</b>	
<b>Gas Natural</b>	<b>MAX - 14" C.A. (3,49 kPa)</b> <b>MIN - 5" C.A. (1,25 kPa)</b>
<b>Propano</b>	<b>MAX - 14" C.A. (3,49 kPa)</b> <b>MIN - 11" C.A. (2,74 kPa)</b>

## PARTES DE REPARACIÓN

Al ordenar partes, incluya el número completo de modelo de la unidad que aparece en la placa de especificaciones.

### Heatstar • Calefactor compacto/de trabajo • Modelo HSU50 / HSU80



**LISTA DE PARTES:  
VER AL DORSO LA INFORMACIÓN PARA ORDENAR PARTES**

REF #	Descripción	50K	CANT	80K	CANT
1	PLACA DE CIRCUITO	60261	1	60261	1
2	SENSOR DE LÍMITE	60022	1	60021	1
3	ELECTRODO ENCENDEDOR	60139	1	60139	1
4	SENSOR DE ELECTRODO	60141	1	60141	1
5	QUEMADOR	60155	3	60155	5
6	CONDUCTOR DE IGNICIÓN	60045	1	60045	1
7	CONDUCTOR DE SENSOR	60046	1	60046	1
8	ORIFICIO (GAS NATURAL)	60049	3	60049	5
9	ORIFICIO (GAS LICUADO)	60156	3	60156	5
10	VÁLVULA DE GAS (GAS NATURAL)	60128	1	60128	1
11	VÁLVULA DE GAS (GAS LICUADO)	60129	1	60129	1
12	TRANSFORMADOR	60032	1	60032	1
13	INTERRUPTOR DE PRESIÓN	60147	1	60146	1
14	SENSOR LÍMITE SUPERIOR DEL INTERC. DE CALOR	60015	1	60015	1
15	TUBO DEL INTERRUPTOR DE PRESIÓN	60031	1	60031	1
16	MOTOR DE TIRO INDUCIDO	60020	1	60020	1
17	ADAPTADOR DE VENTEO 6 014	60140	1	60140	1
18	JUNTA DEL MOTOR DE TIRO INDUCIDO	60157	1	60157	1
19	SOPORTE POSTERIOR	60241	1	60241	1
20	SOPORTE DELANTERO	60242	1	60242	1
21	REJILLAS DE VENTILACIÓN	60243	5	60243	7
22	RESORTE DE BOCA DE VENTILACIÓN	60260	5	60260	7
23	CAJA DE GAS DE COMBUSTIÓN	60189	1	60190	1
24	JUNTA DE LA CAJA DE GAS DE COMBUSTIÓN	60090	1	60092	1
25	INTERCAMBIADOR DE CALOR	60065	1	60068	1
26	PUERTA DE ACCESO	60263	1	60264	1
27	FRENTE	60245	1	60250	1
28	PUERTA LATERAL	60246	1	60251	1
29	ENVOLTURA	60115	3	60117	3
30	MOTOR DE VENTILADOR	60055	1	60054	1
31	PROTECTOR DE VENTILADOR	60120	1	60122	1
32	CONJUNTO DE VENTILADOR	60125	1	60127	1
32	ARRANCADOR CON		1	28788	1
34	MÚLTIPLE	60062	1	60064	1
35	TUBERÍA DE ENTRADA	60132	1	60132	1
36	TERMINAL DEL TERMOSTATO	60262	1	60262	1
37	CAJA DE EMPALMES ELÉCTRICOS	60247	1	60247	1
38	TAPA DE CAJA ELÉCTRICA	60248	1	60248	1
39	SOPORTE DE VÁLVULA DE GAS	60158	1	60158	1

**Componentes opcionales de instalación**

TERMOSTATO DE 24V .....	F210359
JUEGO DE VENTILACIÓN VERTICAL DE 4" (50/80/125) .....	F102848
JUEGO DE VENTILACIÓN HORIZONTAL DE 4" (50/80/125) .....	F102860

**Componentes opcionales de instalación**

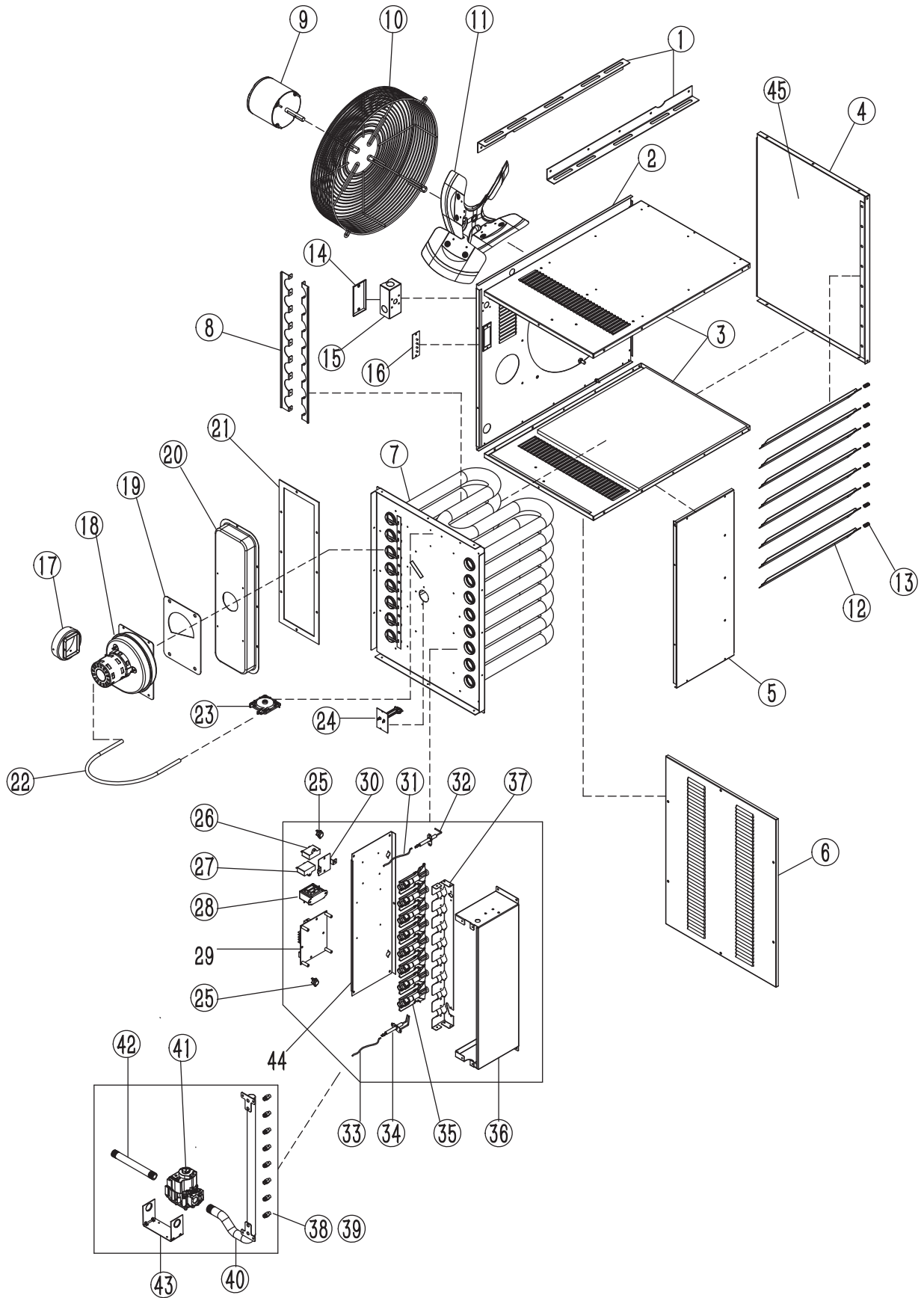
**De gas natural a propano licuado**

HSU 50/80/125 .....	F260163
---------------------	---------

**De propano licuado a gas natural**

HSU 50/80/125 .....	F260164
---------------------	---------

Heatstar • Calefactor compacto/de trabajo • Modelo HSU125





## LISTA DE PARTES:

### VER AL DORSO LA INFORMACIÓN PARA ORDENAR PARTES

REF #	Description	125K	CANT
1	SOPORTE	60252	2
2	PANEL DE MONTAJE- MOTOR	60253	1
3	PANEL DE MONTAJE- FRENTE Y POSTERIOR	60254	2
4	PANEL DE MONTAJE- INFERIOR	60255	1
5	PANEL DE MONTAJE- COSTADO	60256	1
6	PANEL DE MONTAJE- SUPERIOR	60265	1
7	INTERCAMBIADOR DE CALOR	60206	1
8	SOPORTE- INTERCAMBIADOR DE CALOR	60207	2
9	MOTOR DE VENTILADOR	60208	1
10	PROTECTOR DE VENTILADOR	60209	1
11	CONJUNTO DE VENTILADOR	60210	1
12	REJILLAS DE VENTILACIÓN	60258	8
13	RESORTE DE PERSIANAS	60260	8
14	TAPA DE CAJA DE ELÉCTRICA	60248	1
15	CAJA DE EMPALMES ELÉCTRICOS	60247	1
16	TERMINAL DEL TERMOSTATO	60262	1
17	ADAPTADOR DE VENTEO	60213	1
18	MOTOR DE TIRO INDUCIDO	60214	1
19	JUNTA DEL MOTOR DE TIRO INDUCIDO	60215	1
20	CAJA DE GAS DE COMBUSTIÓN	60216	1
21	JUNTA DE LA CAJA DE GAS DE COMBUSTIÓN	60217	1
22	TUBO DEL INTERRUPTOR DE PRESIÓN	60031	1
23	INTERRUPTOR DE PRESIÓN	60147	1
24	SENSOR LÍMITE ALTO DEL INTERC. DE CALOR	60015	1
25	SENSOR DE LÍMITE	60022	2
26	TAPA- MOTOR DEL VENTILADOR	28735	1
27	TAPA- MOTOR DE TIRO INDUCIDO	28788	1
28	TRANSFORMADOR	60032	1
29	PLACA DE CIRCUITO	60261	1
30	TAPA- SOPORTE	60223	1
31	CONDUCTOR DE SENSOR	60046	1
32	SENSOR DE ELECTRODO	60141	1
33	CABLE DEL ENCENDEDOR	60224	1
34	ELECTRODO ENCENDEDOR	60139	1
35	QUEMADOR	60155	8
36	CAJA DEL QUEMADOR	60225	1
37	SOPORTE DEL QUEMADOR	60226	1
38	ORIFICIO (GAS NATURAL)	60229	8
39	ORIFICIO (LP)	60230	8
40	MÚLTIPLE	60227	1
41	VÁLVULA DE GAS (GAS NATURAL)	60128	1
42	TUBERÍA DE ENTRADA	60132	1
43	SOPORTE DE VÁLVULA DE GAS	60158	1
***	AISLAMIENTO PARA ABAJO	60220	1
***	AISLAMIENTO PARA EL FRENTE Y LA ESPALDA	60231	2
***	AISLAMIENTO PARA EL INTERCAMBIADOR DE CALOR	60218	1

\*\*\* NO SE MUESTRA EN LA FIGURA

**THIS PAGE INTENTIONALLY LEFT BLANK  
ESTA PÁGINA SE DEJÓ INTENCIONALMENTE EN BLANCO  
CETTE PAGE A ÉTÉ INTENTIONNELLEMENT LAISSÉE VIERGE**



# INSTRUCCIONES DE USO Y MANUAL DEL USUARIO

**MODEL#**  
HSU50NG  
HSU80NG  
HSU125NG

**LEA CUIDADOSAMENTE LAS INSTRUCCIONES:** Lea y siga todas las instrucciones. Conserve estas instrucciones en un lugar seguro para futura referencia. No permita que nadie que no haya leído estas instrucciones arme, encienda, ajuste o use el calefactor.



## ADVERTENCIA:

USE SOLAMENTE PARTES DE REPUESTO DEL FABRICANTE. EL USO DE CUALQUIER OTRA PARTE PODRÍA CAUSAR HERIDAS O LA MUERTE. LAS PARTES DE REPUESTO ESTÁN DISPONIBLES ÚNICAMENTE EN LA FÁBRICA Y DEBEN SER INSTALADAS POR UNA AGENCIA DE SERVICIO CALIFICADA.

## INFORMACIÓN PARA ORDENAR PARTES:

**COMPRAS:** PUEDE COMPRAR ACCESORIOS EN CUALQUIER DISTRIBUIDOR LOCAL DE HEATSTAR O DIRECTAMENTE DE LA FÁBRICA

## POR INFORMACIÓN ACERCA DE REPARACIONES:

Llame sin cargo al 866-447-2194 • WWW.HEATSTARBYENERCO.COM

Nuestro horario de trabajo es de 08:00 a.m. AM a 5:00 PM, de lunes a viernes, hora del este. Por favor, incluya el número de modelo, la fecha de compra y la descripción del problema en todas sus comunicaciones.

## GARANTÍA LIMITADA:

La compañía garantiza que este producto estará libre de imperfecciones materiales y de fabricación, bajo condiciones de uso normales y adecuadas de acuerdo con las instrucciones de la Compañía, por un período de tres años para las partes (limitada) y de 10 años para el intercambiador de calor, a partir de la fecha de entrega al comprador. La Compañía, según decida, reparará o reemplazará los productos que el comprador devuelva a la fábrica, con el costo de envío previamente pagado dentro del mencionado período de un año y que la Compañía determine que presentan imperfecciones materiales o de fabricación.

Si alguna de las partes está dañada o si le falta alguna, llame a nuestro Departamento de Asistencia Técnica al 866-447-2194.

Dirija sus reclamos de garantía a Service Department, Heatstar, Inc., 4560 W. 160TH ST., CLEVELAND, OHIO 44135. Incluya su nombre, dirección y número telefónico en su comunicación e incluya los detalles relacionados con el reclamo. Además, infórmenos la fecha de la compra y el nombre y dirección del proveedor de quien adquirió nuestro producto.

Lo anterior describe las responsabilidades de la Compañía en toda su extensión. No hay otras garantías, ni explícitas ni implícitas. Específicamente, no hay garantías acerca de la adecuación para un propósito particular y no hay garantías de comerciabilidad. En ningún caso la Compañía será responsable por demoras causadas por imperfecciones, por daños consecuentes, ni por ningún otro cargo de gastos de ninguna naturaleza realizado sin su consentimiento escrito. El costo de reparación o reemplazo será la única compensación por cualquier incumplimiento de la garantía. No hay garantía ni se derivará garantía implícita alguna del proceso de comercialización ni de las prácticas comerciales comunes. Esta garantía no será válida para productos que hayan sido reparados o alterados fuera de la fábrica en cualquier sentido que a nuestro criterio afecte su estado o funcionamiento.

Algunos estados no permiten la exclusión o limitación de daños incidentales ni consecuentes, así que la limitación o exclusión anterior puede no tener validez en su caso. Esta Garantía le otorga derechos legales específicos, y usted puede tener otros derechos que varían de un estado a otro.

Heatstar Inc. se reserva el derecho de hacer cambios en cualquier momento, sin previo aviso, en los colores, especificaciones, accesorios, materiales y modelos.

REGISTRO DEL PRODUCTO: Gracias por su compra.

Ingrese a <http://www.egiregistration.com> to register your product.

Heatstar, INC., 4560 W. 160TH ST., CLEVELAND, OHIO 44135 • 1-866-447-2194

Heatstar es una marca registrada de Heatstar, Inc.

© 2020, Heatstar. Todos los derechos reservados

Installateur: Laissez ce manuel avec l'appareil. Consommateur: Conservez ce manuel pour référence ultérieure.



# MANUEL DE L'UTILISATEUR ET INSTRUCTIONS D'OPÉRATION

N° de modèle

HSU50NG

HSU80NG

HSU125NG

**LIRE ATTENTIVEMENT CES INSTRUCTIONS:** Lire et suivre toutes les instructions. Placer ces instructions dans un endroit sûr pour référence future. Ne pas permettre à quiconque qui n'aurait pas lu ces instructions de procéder à un assemblage, à l'allumage, à un ajustement ni au fonctionnement de ce radiateur.



## RADIATEUR COMPACT POUR USAGE COMMERCIAL/RÉSIDENTIEL

**AVERTISSEMENT :** Un mauvais ajustement, installation, altération, service ou entretien peut causer des blessures ou des dommages à la propriété. Se référer au contenu de ce manuel. Pour de l'assistance ou de l'information additionnelle, consulter un installateur qualifié, une agence de service ou le fournisseur de gaz.

- QUE FAIRE SI VOUS SENTEZ DU GAZ

- o NE PAS tenter d'allumer l'appareil.
- o NE PAS toucher un commutateur électrique; ne pas utiliser un téléphone dans votre immeuble.
- o Quitter l'immeuble immédiatement
- o Appeler immédiatement votre fournisseur de gaz, à partir d'un téléphone autre que celui dans l'immeuble. Suivre les instructions du fournisseur de gaz
- o Si vous ne pouvez pas joindre votre fournisseur de gaz, appeler les pompiers.

- L'installation et le service doivent être faits par un installateur qualifié, par une agence de service ou par le fournisseur de gaz.

### POUR VOTRE SÉCURITÉ:

**Ne pas ranger ni utiliser d'essence ou d'autres émanations ou liquides inflammables à proximité de cet appareil, ou de tout autre appareil.**

**AVERTISSEMENT:** Si ces informations et ces instructions ne sont pas respectées de manière exacte, un incendie ou une explosion peut en résulter et causer des dommages à la propriété, des blessures personnelles et un décès.

### **⚠️ AVERTISSEMENT:**

VOTRE SÉCURITÉ EST IMPORTANTE POUR VOUS ET POUR LES AUTRES, PAR CONSÉQUENT VEUILLEZ LIRE CES DIRECTIVES AVANT DE FAIRE FONCTIONNER CE RADIATEUR.

### **⚠️ AVERTISSEMENT:**

DANGER D'INCENDIE, DE BRÛLURE, D'INHALATION ET D'EXPLOSION. GARDER LES COMBUSTIBLES SOLIDES, COMME LES MATÉRIAUX DE CONSTRUCTION, LE PAPIER OU LE CARTON, À UNE DISTANCE SÉCURITAIRE DU RADIATEUR, TELLE QUE RECOMMANDÉE PAR LES DIRECTIVES. NE JAMAIS UTILISER LE RADIATEUR DANS UN ESPACE QUI CONTIENT OU QUI RISQUE DE CONTENIR DES COMBUSTIBLES VOLATILES OU EN SUSPENSION DANS L'AIR, OU DES PRODUITS TELS QUE DE L'ESSENCE, DES SOLVANTS, DU DILUANT À PEINTURE, DES PARTICULES DE POUSSIÈRE OU DES PRODUITS CHIMIQUES INCONNUS.

### **⚠️ AVERTISSEMENT:**

Les carburants utilisés dans les appareils à des produits chimiques, notamment le benzène, connu en Californie pour causer le cancer et causer des malformations congénitales ou d'autres problèmes de reproduction.  
[www.P65Warnings.ca.gov](http://www.P65Warnings.ca.gov)

### **⚠️ AVERTISSEMENT:**

#### **RISQUE D'INCENDIE OU D'EXPLOSION**

Tout manquement à respecter les avertissements de sécurité de manière exacte peut entraîner des blessures graves, des dommages à la propriété ou la mort. S'assurer de bien lire et comprendre les notices d'installation, d'opération et de service, décrites dans ce manuel. Un mauvais ajustement, installation, altération, service ou entretien peut causer des blessures graves, des dommages à la propriété ou la mort.

### **⚠️ AVERTISSEMENT:**

CE PRODUIT PEUT VOUS EXPOSER À PLOMB ET COMPOSÉS DE PLOMB, IDENTIFIÉ PAR L'ÉTAT DE CALIFORNIE COMME POUVANT CAUSER LE CANCER. LAVEZ-VOUS LES MAINS APRÈS AVOIR MANIPULÉ CE PRODUIT. POUR DE PLUS AMPLES INFORMATIONS, PRIÈRE DE CONSULTER [WWW.P65WARNINGS.CA.GOV](http://WWW.P65WARNINGS.CA.GOV).

	<b>HSU125</b>	<b>HSU80</b>	<b>HSU50</b>
<b>V/A/H/Phase</b>	120v / 3a / 60Hz / 1Ø	120v / 2.3a / 60Hz / 1Ø	120v / 2.3a / 60Hz / 1Ø
<b>BTU Input</b>	125,000 BTU	80,000 BTU	50,000 BTU
<b>BTU Output</b>	100,000 BTU	64,000 BTU	40,000 BTU
<b>Efficiency %</b>	80%	80%	80%

## **CONTENTS**

DIMENSIONS DE L'APPAREIL .....	48
EXPÉDITION .....	49
INSTALLATION DE L'APPAREIL DE CHAUFFAGE .....	50
AIR DE COMBUSTION ET DE VENTILATION .....	50
AÉRATION .....	50
CONNEXIONS ÉLECTRIQUES .....	54
RACCORDEMENT DU GAZ .....	55
VÉRIFICATION DE FUITE .....	55
DÉMARRAGE ET OPÉRATION .....	55
SÉQUENCE D'OPÉRATION DU CHAUFFAGE .....	56
DEL DU CONTRÔLE D'IGNITION .....	56
SERVICE .....	57
SCHÉMA DE CÂBLAGE .....	58
CONVERSION DE CARBURANT .....	59
LISTE DES PIÈCES .....	64
GARANTIE .....	68

## **LANGUAGES**

ANGLAIS .....	1 - 22
ESPAGNOL .....	23 - 45
FRANÇAIS .....	46 - 68

## **INFORMATION GÉNÉRALE**

CONSERVER CE MANUEL POUR RÉFÉRENCE FUTURE.

POUR TOUTE QUESTION OU PROBLÈME, PIÈCE MANQUANTE OU AUTRE, AVANT DE RETOURNER L'APPAREIL CHEZ LE DÉTAILLANT, VEUILLEZ AVOIR EN MAIN LE NUMÉRO DE MODÈLE ET DE SÉRIE, ET NOUS APPELER AU 1-866-447-2194

DU LUNDI AU VENDREDI ENTRE 8H00 ET 17H00, HEURE DE L'EST, OU NOUS ENVOYER UN COURRIEL SUR LE SITE DE Heatstar:

**[WWW.HEATSTARBYENERCO.COM](http://WWW.HEATSTARBYENERCO.COM)**

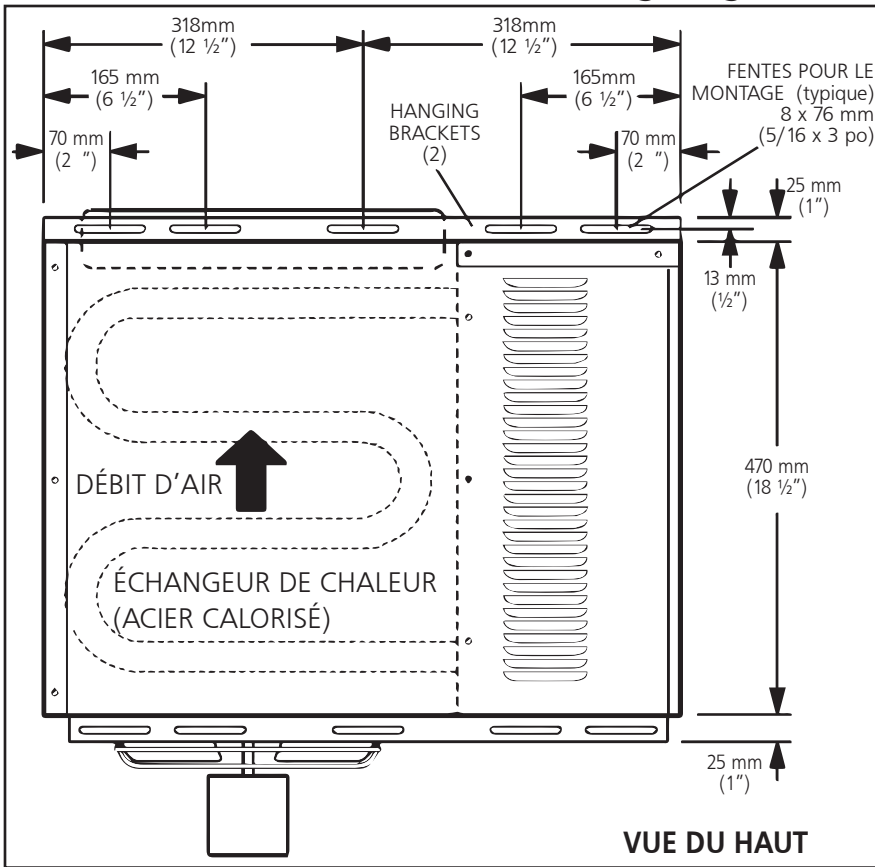
Afin d'offrir le meilleur service possible, Heatstar vous offre dorénavant plus de moyen pour nous contacter. Trouvez des vidéos d'information sur:

 YouTube: [youtube.com/heatstarTV](https://youtube.com/heatstarTV)

La gamme complète de produits HEATSTAR est maintenant chez: **[WWW.HEATSTARBYENERCO.COM](http://WWW.HEATSTARBYENERCO.COM)**

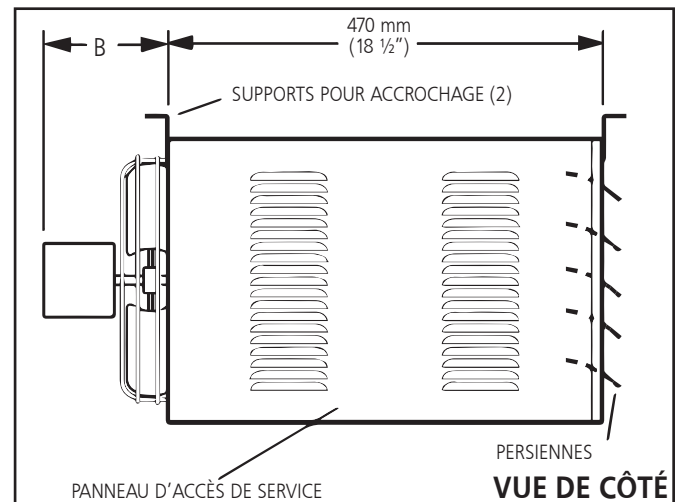
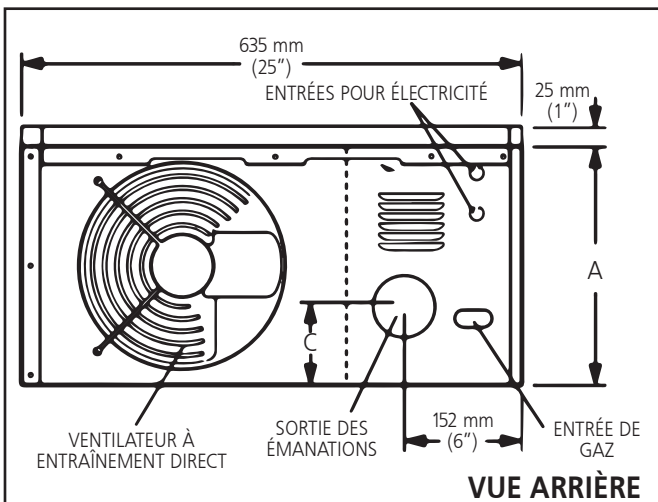


## DIMENSIONS DE L'APPAREIL



### VUE ARRIÈRE ET VUE DE CÔTÉ, DIMENSIONS VARIABLES

	50	80	125
A	12" (305)	17" (432)	24,67" (626,8)
B	5,5" (140)	6.5" (165)	8.08" (205,25)
C	4,25" (108)	6.75" (171)	9.43" (239,61)



### LISTE DE VÉRIFICATION AU DÉMARRAGE ET DE LA PERFORMANCE

Nom des travaux: \_\_\_\_\_ Numéro des travaux.: \_\_\_\_\_ Date: \_\_\_\_\_

Emplacement des travaux: \_\_\_\_\_ Ville: \_\_\_\_\_ État/province: \_\_\_\_\_

Installateur: \_\_\_\_\_ Ville: \_\_\_\_\_ État/province: \_\_\_\_\_

Nom du modèle.: \_\_\_\_\_ No de série.: \_\_\_\_\_ Technicien de service: \_\_\_\_\_

Connexions électriques serrées? \_\_\_\_\_ Connexion des émanations bien serrée? \_\_\_\_\_

Voltage d'alimentation: \_\_\_\_\_ Fonctionnement de minuterie du ventilateur vérifié? \_\_\_\_\_

Connexions des conduits de gaz bien serrés et testés pour la présence de fuite? \_\_\_\_\_ THERMOSTAT Calibré? \_\_\_\_\_

Ampérage du moteur \_\_\_\_\_ Élément anticipateur de chaleur calibrée bien configuré? \_\_\_\_\_

Entrée de fournaise en BTU \_\_\_\_\_ Niveau? \_\_\_\_\_

Pression de ligne \_\_\_\_\_

Pression du collecteur, en pouce de colonne d'eau. \_\_\_\_\_

## EXPÉDITION

Le radiateur est entièrement assemblé. Instructions d'installation, deux supports de montage (expédiés de manière lâche), et une transition des émanations sont compris. Vérifier l'appareil pour la présence de dommages lors de l'expédition. La partie qui fait la réception doit communiquer immédiatement avec le dernier transporteur si quelque dommage d'expédition est trouvé lors de la réception.

## EXIGENCES – CSA AUX ÉTATS-UNIS

L'installation des radiateurs au gaz doit être conforme aux codes locaux du bâtiment ou, en l'absence de code local, avec le code national du carburant gazeux ANSI Z223.1.

en vigueur. L'installation dans les hangars d'aviation doit se faire conformément avec les normes en vigueur pour les hangars d'aviation ANSI/NFPA no 409.

L'installation dans les structures de stationnement doit se faire conformément avec les normes en vigueur pour les structures de stationnement ANSI/NFPA no 88A

L'installation dans les garages de réparation doit se faire conformément avec les normes en vigueur pour les garages de réparation ANSI/NFPA no 88B.

Ces appareils sont approuvés pour les applications résidentielles. Pour les installations dans un garage résidentiel ces appareils doivent être installés de sorte que le bas du radiateur soit situé à pas moins de 2,4 m (8 pieds) au dessus du sol. Le radiateur doit être situé ou protégé de sorte d'éviter tout dommage par des véhicules. Se référer à l'édition en vigueur du Code national du carburant gazeux, ANSI Z223.1.

Les autorités ayant juridiction doivent être consultées avant une installation NFPA. L'air pour la combustion et la ventilation doivent se conformer aux méthodes décrites dans ANSI Z223.1, section 5.3; air pour la combustion et la ventilation, ou aux provisions applicables des codes locaux du bâtiment. Le Code national du carburant gazeux est disponible en communiquant à l'adresse suivante:

American National Standard Institute Inc.  
11 West 42nd Street  
New York, NY 10036

Ces appareils sont homologués CSA International design. Ces radiateurs sont certifiés pour installation du matériel combustible tel que listé dans le tableau 1, et sur la plaque de classification de l'appareil. Les dégagements d'accès et pour le service doivent être respectés, en plus des dégagements de protection contre les incendies.

Tout filage électrique et toute mise à la terre pour l'appareil doivent être faits en conformité avec les réglementations du Code électrique national ANSI no 70 en vigueur.

Le Code électrique national est disponible en communiquant à l'adresse suivante:

National Fire Protection Association  
1 Batterymarch Park  
PO Box 9101  
Quincy, MA 02269-9101

### TABLEAU 1 DÉGAGEMENTS AVEC L'APPAREIL

Dessus		Côtés		Panneau d'accès	
po	mm	po	mm	po	mm
1	25	1	25	18	457
Bas		Arrière			
po	mm	po	mm		
0	0	18	456		

## EXIGENCES – CSA AU CANADA

Ces instructions sont conçues seulement comme un guide général et ne se substituent pas aux exigences des codes locaux de quelque manière. Les autorités ayant juridiction doivent être consultées avant l'installation. L'installation doit être conforme aux codes locaux du bâtiment, ou en l'absence de code local, avec le code en vigueur pour l'installation de gaz naturel et de propane CSA B149.1. Tout filage électrique et mise à la terre de l'appareil doit aussi être conforme à l'édition en vigueur du Code électrique canadien CSA C22.1. Ces radiateurs sont homologués CSA International pour les dégagements avec le matériel combustible, listés sur la plaque de classification, et dans le **tableau 1**. Assurer un dégagement adéquat autour des ouvertures d'air dans la chambre de combustion, les dégagements avec les matériaux combustibles, les provisions pour accessibilité et la fourniture d'air de combustion et de ventilation. Prévoir des provisions pour un accès de service sur le radiateur. Noter que les dégagements de protection contre les incendies doivent être dépassés afin de fournir un espace additionnel pour service et l'accessibilité.

## INSTALLATIONS DANS LES GARAGES:

L'installation dans les structures de stationnement doit se faire conformément avec les normes en vigueur pour les structures de stationnement ANSI/NFPA no 88A.

L'installation dans les garages de réparation doit se faire conformément avec les normes en vigueur pour les garages de réparation ANSI/NFPA no 88B.

1. Dans un espace de rangement, le dégagement entre le radiateur et des matériaux combustibles doit être tel que le matériau ne doit pas atteindre une température supérieure à 71 C (160 F) lors du fonctionnement en continu de l'appareil.
2. Un dégagement minimal de 2,4 m (8 pi) entre le sol et le bas du radiateur doit être assuré. Se référer au Code pour l'installation de gaz naturel et de propane CSA B149.1

## HANGAR D'AVIATION

L'installation des radiateurs au gaz doit être conforme aux codes locaux du bâtiment ou, en l'absence de code local, au Code national du carburant gazeux ANSI Z223.1 en vigueur

1. Dans une zone où un avion est abrité ou entretenu, un dégagement minimal de 3 m (10 pi) avec la surface la plus haute de l'avion et le bas du radiateur doit être assuré.
2. Dans les autres zones, un dégagement minimal de 2,4 m (8 pi) avec la surface la plus haute et le bas du radiateur doit être assuré.
3. Les radiateurs doivent être localisés de sorte qu'ils soient protégés contre les dommages par un avion, ou par les autres appareils requis pour service sur l'avion. Se référer aux exigences des autorités concernées.

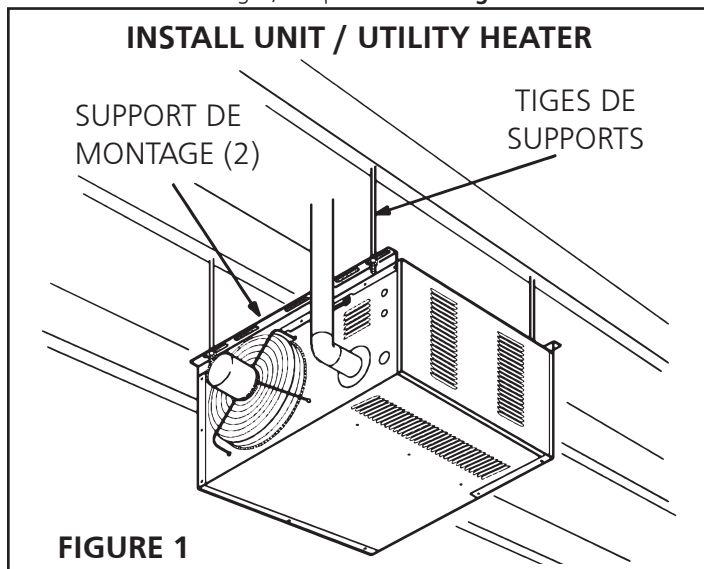
Ces appareils sont certifiés pour les applications résidentielles. Pour toute installation dans un garage résidentiel, ils doivent être installés de sorte que les brûleurs et la source d'ignition soient localisés à au moins 457 mm (18 po) plus haut que le sol. Le radiateur doit être localisé ou protégé de sorte d'éviter tout dommage physique par un véhicule. Se référer à l'édition en vigueur du Code pour l'installation de gaz naturel et de propane CSA B149.1

**AU CANADA:** Dans un endroit confiné, le radiateur doit être installé en conformité avec le Code pour l'installation de gaz naturel et de propane CSA B149.1. S'assurer de vérifier les exigences additionnelles des codes locaux et des ordonnances.

## INSTALLATION DE L'APPAREIL DE CHAUFFAGE

L'appareil est expédié prêt pour l'installation. Il peut être installé tel qu'illustré à **figure 1** et alternativement, il peut être inversé de 180 selon l'emplacement voulu, et tel qu'exigé par les dégagements requis, par le raccord d'évent, la direction de l'air, l'alimentation en gaz, l'alimentation électrique et l'accessibilité pour service.

1. Dans le cas d'une installation de l'appareil en position inversée : Retirer et garder les vis qui retiennent la porte et pivoter la porte de 180°. Fixer avec les vis conservées. Pivoter les persiennes qui dirigent le débit d'air tel que souhaité.
2. Choisir l'emplacement pour les supports de montage.
3. Retirer et conserver les trois vis le long du rebord supérieur (rebord inférieur si inversé) de l'avant de l'appareil.
4. Aligner les trous des vis sur le support de montage avec les trous le long du rebord supérieur (soit en position normale et/ ou inversée) de l'appareil. Fixer un support de montage sur l'avant de l'appareil avec les vis conservées. Fixer l'autre support de montage sur l'arrière de l'appareil avec les vis conservées, sur l'arrière de l'appareil.
5. Pour supporter l'appareil, fixer le support de montage sur une solive de plafond ou sur une ferme de toit. L'appareil peut aussi s'accrocher sur des tiges, tel qu'illustré à la **figure 1**.



## AIR DE COMBUSTION ET DE VENTILATION

Les éléments adéquats pour la fourniture d'air pour la combustion et pour la ventilation doivent être fournis en conformité avec l'édition la plus récente de la section 5.3; air pour la combustion et la ventilation, du Code national du carburant gazeux, ANSI Z223.1, aux États-Unis, CSA B149.1 Code pour l'installation de gaz naturel et de propane, ou toute provision applicable des codes locaux du bâtiment.

Tout appareil de chauffage fonctionnant au gaz a besoin d'air utilisé

dans son processus de combustion. De nos jours, on trouve une pression d'air négative à l'intérieur de nombreux édifices, laquelle est causée par des ventilateurs d'évacuation et autre. S'il n'y a pas une quantité suffisante d'air disponible pour la combustion, le radiateur ou un autre appareil peut fonctionner de manière inefficace, ce qui entraîne une combustion incomplète, et qui peut résulter en une production excessive de monoxyde de carbone.

**MISE EN GARDE:** Une quantité insuffisante d'air de combustion peut causer des maux de tête, la nausée, des étourdissements, l'asphyxie ou la mort.

Si de l'air intérieur doit être utilisé pour la combustion, il doit être libre des substances suivantes, sans quoi, la durée de vie de l'échangeur de chaleur sera réduite : Chlore, tétrachlorure de carbone, solvant de nettoyage, du réfrigérant au halogène, de l'acide, de la colle et des adhésifs, de l'encre d'impression, du fluor, du décapant à peinture, du vernis, ou tout autre produit et/ou vapeur corrosif.

## AÉRATION

### A – EXIGENCES ET RECOMMANDATIONS GÉNÉRALES

**REMARQUE:** L'évent est une courbure, verticale ou presque, qui est utilisée pour convoyer les émanations de gaz de l'appareil, ou de son connecteur d'évent, vers l'atmosphère extérieure. Le connecteur d'évent est le conduit ou la canalisation qui connecte un appareil qui brûle du gaz à un événement ou une cheminée.

Les radiateurs doivent être ventilés en conformité avec tous les codes locaux ou avec les exigences de l'utilité locale, avec les normes en vigueur du Code (américain) national du carburant gazeux, ANSI Z223.1 ou avec le Code (canadien) pour l'installation de gaz naturel et de propane CSA B149.1, et les instructions suivantes.

Ne mélangez pas les différentes pièces du système de ventilation de différents fabricants dans le même système de ventilation.

Les connecteurs de ventilation desservant les appareils de catégorie I et de catégorie II ne doivent pas être raccordés à une partie quelconque des systèmes de tirage mécanique fonctionnant sous pression positive.

l'installation de l'évent ou du connecteur d'évent. Un manquement à respecter cette exigence entraîne l'annulation de la certification de l'appareil par les agences d'approbation. Tous les joints doivent être fixés avec au moins deux vis résistantes à la corrosion. Tous les joints doivent être vérifiés pour l'étanchéité au gaz après l'installation. L'appareil de chauffage et le système d'évacuation doivent être inspectés une fois par année par un organisme de service qualifié.

### B – ÉVÉNEMENTS VERTICAUX UTILISANT UN CONDUIT D'ÉVENT EN MÉTAL – INSTALLATIONS COMMERCIALES ET RÉSIDENTIELLES

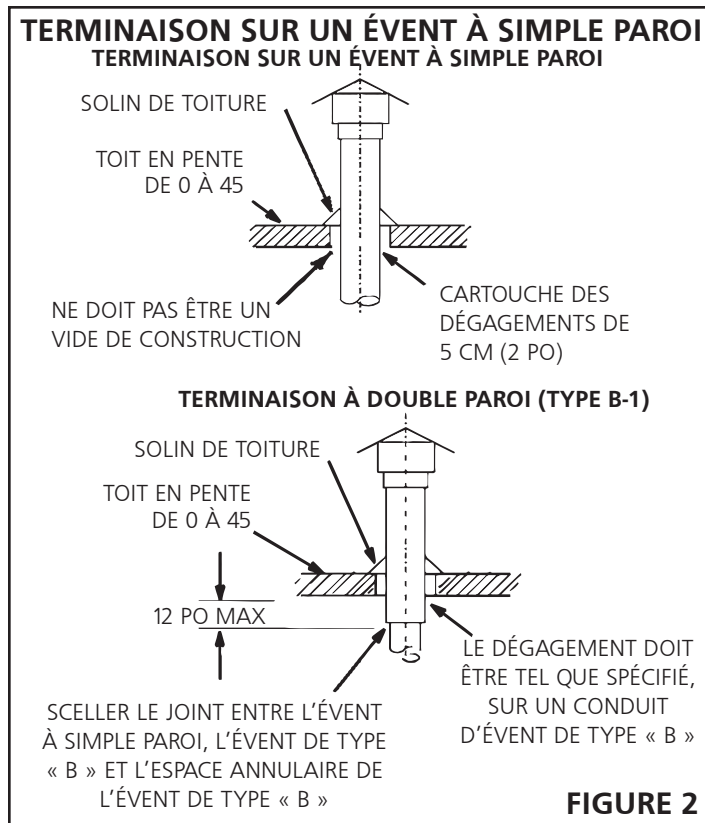
Les radiateurs compacts HSU sont homologués comme des appareils de catégorie I pour les installations avec événement vertical.

1. **États Unis:** Les radiateurs HSU doivent être utilisés avec des cheminées approuvées NFPA ou ANSI, des événements pour le gaz homologués U.L. de type B-1, des conduits en métal à simple paroi, ou des systèmes homologués de doublage de cheminée pour l'aération du gaz, là où cela s'applique, ainsi qu'avec les modifications et limitations listées dans la **figure 2**. Sceller le matériel unique de l'évent mural conformément à la section **A - Exigences et recommandations générales**.
2. Le connecteur d'évent doit avoir un diamètre de 102 mm (4 po) de diamètre sur les unités 50k & 80k & 125l. Dans tous les cas, une pièce de transition des émanations (fournie) doit être ajustée sur la sortie de l'assemblage à tirage induit, sur l'appareil.
3. Garder les courses du connecteur d'évent les plus courtes que

- possible, avec un nombre de coude gardé au minimum. Se référer au Code national (américain) du carburant gazeux ANSI Z223.1 ou au Code (canadien) pour l'installation de gaz naturel et de propane CSA B149.1 pour les longueurs maximales d'évent, et pour les connecteurs d'évent. La course horizontale du connecteur d'évent.
- Quand la longueur d'un événement mural unique, incluant les coudes, excède 1,5 m (5 pi), l'évent doit être isolé sur toute sa longueur avec un isolant à la fibre de verre avec face en métal d'une épaisseur minimale de 1,2 cm (1/2 po) et d'une densité de 1-1/2#. Si un événement mural unique est utilisé dans une zone non chauffée, il doit être isolé. Un manquement à ce faire résultera en condensation des émanations de gaz.
  - L'appareil peut être ventilé verticalement comme un appareil unique, ou avec un événement commun avec d'autres appareils qui fonctionnent au gaz. Dans les situations courantes d'aération, les connecteurs d'évent pour les autres appareils doivent maintenir une séparation verticale de 100 mm (4 po) entre les connecteurs d'évent. Se référer aux tableaux d'aération commune dans le Code national (américain) du carburant gazeux ANSI Z223.1 ou dans le Code (canadien) pour l'installation de gaz naturel et de propane CSA B149.1 pour déterminer la bonne taille d'évent.
  - Le dégagement avec les matériaux combustibles doit être de 152 mm (6 po) pour un événement à paroi unique, sauf lorsqu'une cartouche des dégagements homologués est utilisée. Le dégagement avec les matériaux combustibles pour un événement de type B-1 ou pour une cheminée fabriquée en usine doit respecter les instructions du fabricant.
  - Le connecteur d'évent doit être supporté sans aucune inclinaison ni affaissement. Les événements verticaux doivent être supportés en conformité avec leur homologation et les instructions de leur fabricant. Toutes les courses horizontales de connecteur d'évent doivent avoir une pente jusqu'à l'évent vertical d'au moins 1/4 po par pied.
  - Tous les événements verticaux de type B-1, les événements à simple paroi, et les systèmes de revêtement de cheminée homologués doivent être terminés avec un chapeau de cheminée homologué, ou un assemblage de toit homologué.
  - L'évent doit obligatoirement s'étendre d'au moins 1 m (3 pi) au dessus du point le plus haut où il passe au travers du toit d'un immeuble et d'au moins 0,6 m (2 pi) plus haut que toute partie de l'immeuble, à une distance horizontale de 3 m (10 pi) sauf en cas de spécification contraire par le Code national (américain) du carburant gazeux, ANSI Z223.1 ou par le Code (canadien) d'installation CAN/CGA-B149. L'évent doit s'étendre d'au moins 1,6 m (5 pi) au dessus du collet des émanations de l'équipement connecté.

Nombre de coudes	Pieds	m
1	25	7,6
2	20	6,1
3	15	4,6
4	10	3,0
5	5	1,5

La longueur maximale du connecteur d'évent ne doit pas dépasser 9,1 m (30 pi).



### C – AÉRATION HORIZONTALE – GÉNÉRALE

En raison des changements sous Z83-8 2009 CSA2.6-2009, l'utilisation d'un événement de type B à simple paroi n'est plus permise comme du matériel acceptable pour aération à l'horizontale, ce changement couvre tant les installations résidentielles que commerciales. Tous les appareils à ventilation horizontale, fabriqués après le mois de juillet 2011, doivent être évacués pour un radiateur de catégorie III, conformément à UL 1738 et ULS636. L'aération commune n'est pas permise dans le cas de l'aération horizontale d'un radiateur.

La longueur minimale de l'évent horizontal est de 914 mm (3 pi).

- Si possible, ne pas faire la terminaison de l'évent horizontal au travers d'un mur qui soit exposé aux vents dominants. Une exposition à des vents excessifs peut affecter la performance de l'appareil.
- La terminaison d'évent doit être libre de toute obstruction, et se trouver à au moins 306 mm (12 po) au dessus du sol, et de la hauteur maximale de neige.
- Ne pas faire la terminaison de l'évent directement sous les avant-toits, ou au dessus d'une passerelle, ou dans tout endroit où des égouttements de condensation peuvent causer des problèmes ou des taches. Éviter les fenêtres où la vapeur pourrait causer du brouillard, ou une accumulation de glace.
- Lors d'une évacuation à l'horizontale, le dégagement minimal pour  
 Lors d'une évacuation à l'horizontale, le dégagement minimal pour la terminaison de toute porte, fenêtre, entrée d'air de gravité, compteur de gaz ou électrique, régulateur, et d'équipement de relèvement est de 1,2 m (4 pi) pour les installations aux États-Unis. Se référer au Code pour l'installation de gaz naturel et de propane NFPA 54/ANSI Z223.1 aux États-Unis, et au Code pour l'installation de gaz naturel et de propane CSA B149.2 au Canada, ou aux autorités ayant la juridiction locale. Au Canada, la terminaison d'évent doit avoir un dégagement horizontal minimum de 1,8 m (6 pi) des compteurs de gaz et électriques, tel que spécifié dans le Code canadien d'installation du gaz naturel B149.1.

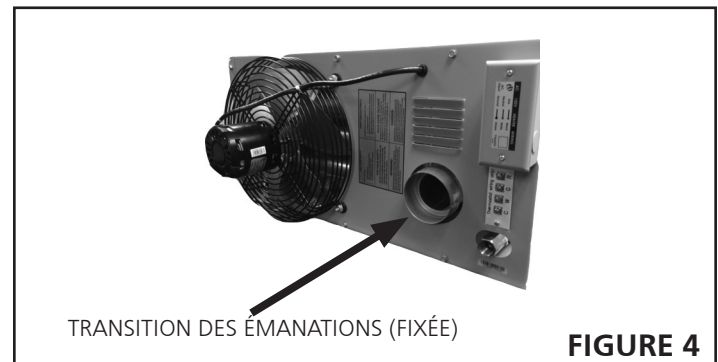
- La terminaison d'évent doit être au minimum à 1,2 m (4 pi) au dessous, ou à 1,2 m (4 pi) à l'horizontale, de tout dispositif de ventilation ou d'évent d'avant-toit.
- L'évent doit être à un minimum de 1,8 m (6 pi) d'un coin intérieur formé par deux murs extérieurs. Si possible, laisser un dégagement de 3 m (10 pi).
- La terminaison d'évent doit être à une distance minimale de 3 m (10 pi) de toute sortie d'air forcée (y compris les entrées d'air pour les appareils, comme une sècheuse).
- Lorsque la terminaison est acheminée par un mur extérieur combustible, l'évent doit être supporté par une cartouche de dégagement homologuée. Sceller le raccord entre les conduits muraux à simple paroi et à double paroi, et l'espace annulaire du conduit à double paroi doit être tel qu'illustré à la **figure 3**.
- Pour une aération horizontale, le conduit d'évent doit être supporté avec des crochets qui soient séparés de pas plus de 1 m (3 pi) afin de prévenir tout mouvement après l'installation.

## D – AÉRATION HORIZONTALE – COMMERCIALE

- Les installations commerciales, à l'horizontale, sont pour les immeubles qui ne sont pas joints à un espace de vie. L'évent peut être un évent à simple paroi, installé en conformité avec les sections suivantes sur l'aération
  - A - Exigences et recommandations générales, et
  - C - aération horizontale générale, et
  - D - aération horizontale - commerciale.
 Se référer à la figure 3..
- Le diamètre du conduit d'évent pour les installations commerciales, à l'horizontale, doit être de 76 mm (4 po). Pour cette raison, une pièce de transition a été fournie, et est déjà fixée sur votre radiateur. Se référer à la **figure 4**.
- Sélectionner un point de terminaison murale qui maintiendra une élévation de 1/4 de pouce par pied pour la course horizontale du conduit d'aération.
- Pour l'aération d'une pente ascendante, un té à condensation et un drain doivent être installés dans les premiers 1,5 m (5 pi) du radiateur afin de protéger l'appareil. Si un conduit flexible de drainage de condensation est utilisé, le conduit de drainage doit inclure une boucle qui entre dans la structure. Si l'appareil est éteint pour une longue période de temps, et qu'il sera exposé à des températures sous le niveau de gel, le condensat pourrait geler.

## E – AÉRATION HORIZONTALE – RÉSIDENIELLE

- Pour les installations résidentielles, à l'horizontale, ces appareils sont certifiés comme des appareils de catégorie III. **Aération, A - exigences et recommandations générales, C - aération horizontale générale, et E - aération horizontale - résidentielle.** Se référer à la **figure 5**.
- Le diamètre du conduit d'évent pour des installations résidentielles à l'horizontale doit être de 10 cm (4 po) sur tous les appareils. Pour cette raison, une pièce de transition a été fournie, et est déjà fixée sur votre radiateur. Se référer à la **figure 4**.
- La longueur maximale de l'évent est de 7,6 m (25 pi), plus un coude à 90 degrés. La longueur minimale est de 1,5 m (5 pi).
- L'évent doit garder une pente de 1/4 po par pied vers le haut, en direction de la terminaison.



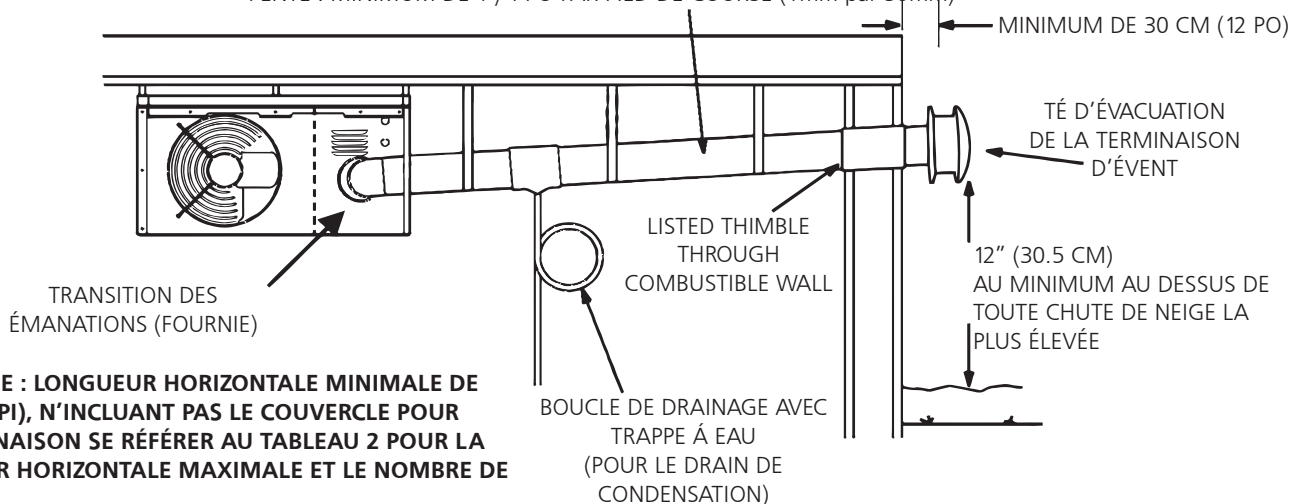
**FIGURE 4**

### DRAIN DE CONDENSATION AU TRAVERS DU CONDUIT EN T, ET BOUCLE DE DRAINAGE

#### PENTE VERS LE HAUT SUR ÉVENT HORIZONTAL - INSTALLATION COMMERCIALE

ÉVENT DE CATÉGORIE III CONFORMÉMENT À CES INSTRUCTIONS D'INSTALLATION.

PENTE : MINIMUM DE 1 /4 PO PAR PIED DE COURSE (1mm par 50mm)



**REMARQUE : LONGUEUR HORIZONTALE MINIMALE DE 914mm (3 PI), N'INCLUANT PAS LE COUVERCLE POUR LA TERMINAISON SE RÉFÉRER AU TABLEAU 2 POUR LA LONGUEUR HORIZONTALE MAXIMALE ET LE NOMBRE DE COUDES**

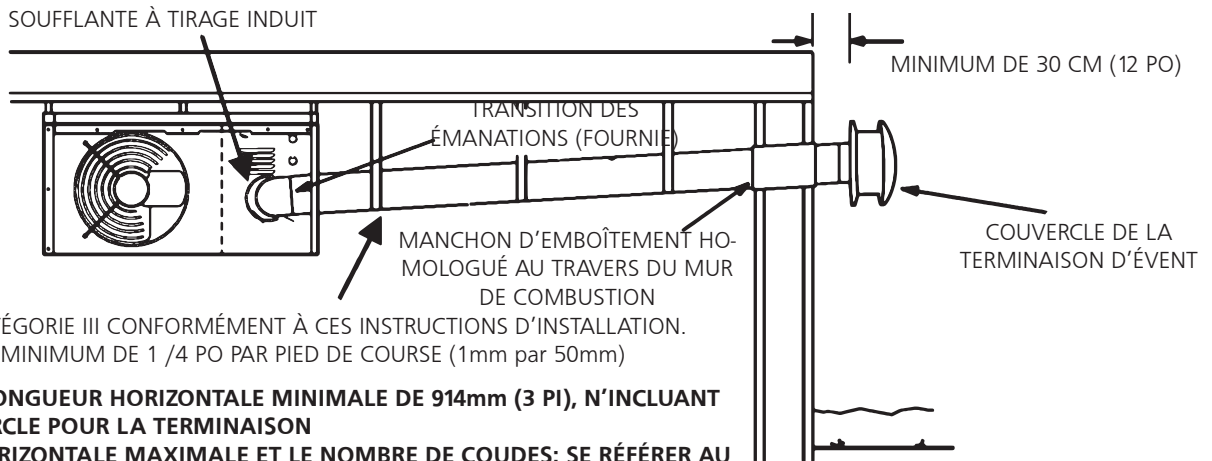
**L'AÉRATION COMMUNE N'EST PAS PERMISE AVEC UNE AÉRATION HORIZONTALE DU RADIATEUR COMPACT**

**FIGURE 3**



## AÉRATION HORIZONTALE - INSTALLATION RÉSIDENNELLE

PENTE VERS LE HAUT



ÉVENT DE CATÉGORIE III CONFORMÉMENT À CES INSTRUCTIONS D'INSTALLATION.  
PENTE : MINIMUM DE 1 / 4 PO PAR PIED DE COURSE (1mm par 50mm)

**REMARQUE : LONGUEUR HORIZONTALE MINIMALE DE 914mm (3 PI), N'INCLUANT PAS LE COUVERCLE POUR LA TERMINAISON  
LONGUEUR HORIZONTALE MAXIMALE ET LE NOMBRE DE COUDES: SE RÉFÉRER AU TABLEAU 2**

**L'AÉRATION COMMUNE N'EST PAS PERMISE POUR UNE AÉRATION À L'HORIZONTALE DU RADIATEUR COMPACT**

**FIGURE 5**

### F – AÉRATION UTILISANT UNE CHEMINÉE EN MAÇONNERIE

Les exigences additionnelles suivantes s'appliquent lorsqu'une cheminée en maçonnerie chemisée est utilisée pour l'aération du radiateur compact.

1. Les cheminées en maçonnerie utilisées pour l'aération des radiateurs de catégorie I doivent être soit chemisées avec des carreaux ou chemisées avec un système de chemisage homologué en métal, ou un événement dédié pour le gaz. Les cheminées en maçonnerie nonchemisées sont interdites. Un appareil de catégorie I ne doit jamais être raccordé sur une cheminée qui est utilisée pour un appareil à carburant solide. Si les émanations de la cheminée d'un foyer sont utilisées pour l'aération de cet appareil, l'ouverture du foyer doit être scellée de manière permanente.
2. Un radiateur assisté par un ventilateur peut être évacué en commun dans une cheminée en maçonnerie chemisée, pour autant que:
  - La cheminée sert présentement à au moins un appareil équipé d'une hotte de tirage.
  - Le connecteur d'évent et la cheminée doivent avoir une taille conforme aux exigences des tableaux de ventilation du Code national (américain) du carburant gazeux ANSI Z223.1 ou du Code (canadien) pour l'installation de gaz naturel et de propane CSA B149.1

**IMPORTANT** L'évacuation d'un seul radiateur assisté par un ventilateur dans une cheminée en maçonnerie chemisée avec des carreaux (paroi intérieure ou extérieure) est interdite. La cheminée doit d'abord être chemisée, soit avec un événement de type B-1 ou avec un système de chemisage isolé à simple paroi flexible, de taille conforme aux tableaux de ventilation dans le Code national (américain) du carburant gazeux ANSI Z223.1 ou du Code (canadien) pour l'installation de gaz naturel et de propane CSA B149.1.

3. Un chemisage de type B-1 ou de cheminée en maçonnerie doit se terminer au dessus de la surface du toit avec un couvercle homologué, ou un assemblage de toit homologué, conforme aux termes de leur homologation respective, ainsi qu'aux instructions d'aération du fabricant.
4. Ne pas installer un registre à commande manuelle, un régulateur barométrique de tirage, ou un restricteur d'émanations, entre le radiateur et la cheminée.

5. Si un événement de type B-1 à double paroi est utilisé à l'intérieur d'une cheminée, aucun autre appareil ne peut être évacué dans la cheminée. Un conduit d'aération de type B-1 pour mur extérieur ne doit pas être exposé aux produits d'émanation.
6. L'isolation pour le conduit d'aération flexible doit être un manchon encapsulé en fibre de verre, tel que recommandé par le fabricant du conduit d'aération flexible.
7. L'espace entre le revêtement et la cheminée NE DOIT PAS être isolé avec une pochette en mica ou tout autre matériau isolant granulaire lâche.
8. Si un événement de type B-1 ou un conduit d'aération flexible isolé ne peut pas être utilisé comme revêtement/chemisage, la cheminée doit être reconstruite pour accommoder une des méthodes, ou certaines méthodes alternatives approuvées doivent être trouvées pour la ventilation de l'appareil. Lorsque l'inspection révèle qu'une cheminée existante n'est pas sécuritaire pour l'usage prévu, elle doit être reconstruite pour vous conformer aux normes nationales reconnues, chemisée ou revêtue avec des matériaux adéquats, ou remplacée avec un événement de gaz ou une cheminée adéquate pour l'évacuation des radiateurs. Les chemins de passage de la cheminée doivent être vérifiés périodiquement pour assurer qu'ils soient libres et qu'ils n'aient aucune obstruction.

### G – RETRAIT DE L'APPAREIL D'UN ÉVÉNEMENT COMMUN

Dans l'éventualité où un radiateur existant est retiré d'un système de ventilation qui est commun avec des appareils au gaz qui sont séparés, le système de ventilation sera possiblement trop gros pour l'évacuation adéquate des appareils restants qui y sont raccordés. Les tests suivants doivent être effectués alors que chaque appareil est en opération, et que les autres appareils ne sont pas en opération, tout en demeurant raccordé au système de ventilation commune. Si le système de ventilation n'a pas été installé correctement, le système doit être revu et corrigé.

1. Sceller toute ouverture inutilisée dans le système de ventilation commune.
2. Inspecter visuellement le système de ventilation pour assurer qu'il ait la bonne taille et la bonne pente horizontale. Déterminer qu'il n'y a aucun blocage ni restriction, fuite, corrosion, ou autre déficience qui pourrait causer une condition non-sécuritaire.
3. Si cela est praticable, fermer toutes les portes et fenêtres de

l'immeuble et toutes les portes entre l'espace dans lequel les appareils restants sont raccordés au système de ventilation commune, et les autres espaces de l'immeuble. Mettre en marche les sècheuses et tout appareil non-raccordé au système de ventilation commune. Mettre en marche tout ventilateur d'évacuation, comme des hottes de cuisine et des ventilateurs d'évacuation de salle de bain, de sorte qu'ils fonctionnent à leur vitesse maximale. Ne pas faire fonctionner un ventilateur d'évacuation estivale. Fermer les volets du foyer.

4. Suivre les instructions d'allumage. Mettre en marche l'appareil qui fait l'objet de l'inspection. Ajuster le thermostat pour que l'appareil fonctionne en continu.
5. Faire un test de déversement à l'ouverture de dégagement de la hotte de tirage, après cinq minutes de fonctionnement du brûleur principal. Utiliser la flamme d'une allumette ou d'une chandelle, la fumée d'une cigarette, d'un cigare ou d'une pipe.
6. Après avoir déterminé que chaque appareil qui reste raccordé au système de ventilation commune s'évacue adéquatement, des suites des tests décrits ci-dessus, remettre toutes les portes, fenêtres, ventilateurs d'évacuation, volets de foyer et tout appareil qui fonctionne au gaz à leur condition d'utilisation antérieure.
7. Si une mauvaise évacuation est observée lors d'un des tests décrits précédemment, le système de ventilation commune doit être revu et corrigé. La taille du système de ventilation commune doit être corrigée pour approcher la taille minimale, telle que déterminée en utilisant les tableaux appropriés.

## CONNEXIONS ÉLECTRIQUES

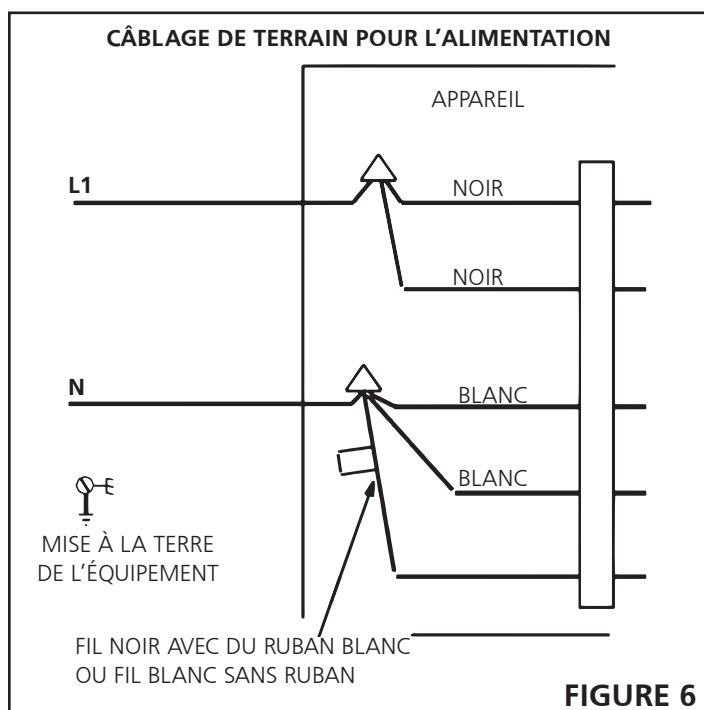
**REMARQUE:** Les radiateurs compacts tout usage des séries HSU utilisent un système d'ignition directe par étincelle. Aucun pilote n'est requis puisque l'étincelle allume le brûleur principal quand on ouvre le robinet de gaz. La plaquette de contrôle d'ignition par étincelle directe émet du bruit/des interférences radiophoniques pendant l'ignition du brûleur. Le niveau de cette énergie peut être suffisant pour perturber le circuit logique d'un thermostat contrôlé par microprocesseur. Il est recommandé d'utiliser un relais d'isolation lors de la connexion d'un radiateur sur un thermostat qui est contrôlé par microprocesseur. Sélectionner la protection du circuit et la taille du fil conformément à la plaque de classification de l'appareil. Installer un sectionneur séparé (protégé soit par fusible ou par un disjoncteur) près de l'appareil, afin de pouvoir l'éteindre aux fins de service. Retirer le couvercle de la boîte de jonction électrique et brancher le filage au travers d'une alvéole défonçable sur la boîte de jonction, localisée sur le côté du radiateur. Se référer au schéma de câblage du radiateur pour les informations de connexion. Utiliser un fil de calibre 18 ou plus gros pour les raccordements des fils d'alimentation. S'assurer de connecter les fils d'alimentation aux fils localisés dans la boîte de jonction électrique externe derrière le couvercle de la boîte de jonction. **NE PAS CONNECTER L'ALIMENTATION SUR LE BORNIER DU THERMOSTAT À L'EXTÉRIEUR DU RADIATEUR.**

Faire une mise à la terre électrique en conformité avec les codes locaux ou, en l'absence de code local, en conformité avec la version en vigueur du Code électrique national (ANSI/NFPA no 70) aux États-Unis, et au Canada; avec la version en vigueur du Code électrique canadien, section 1 CSA C22.1

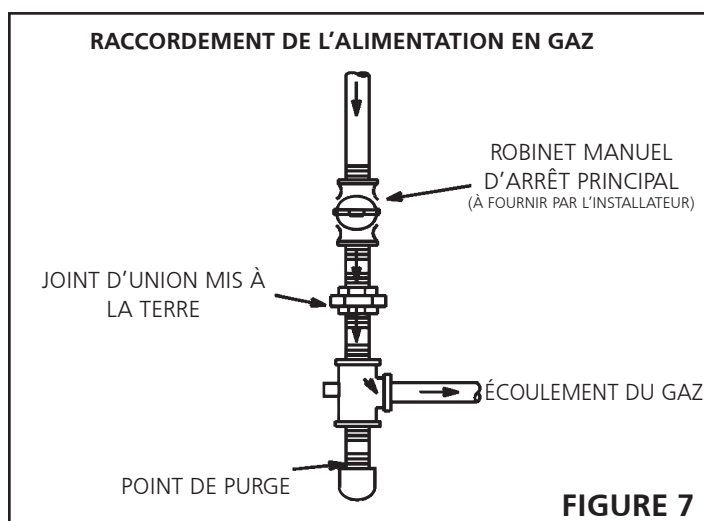
**REMARQUE:** Un fil de mise à la terre non-isolé doit être enrobé de ruban électrique afin d'éviter tout dommage au système électrique.

Faire les connexions des fils de tension telles qu'illustrées à la **figure 6**. Connecter le filage de terrain tel qu'illustré sur le schéma de câblage sur l'appareil. Aussi, se référer au diagramme typique dans ce manuel.

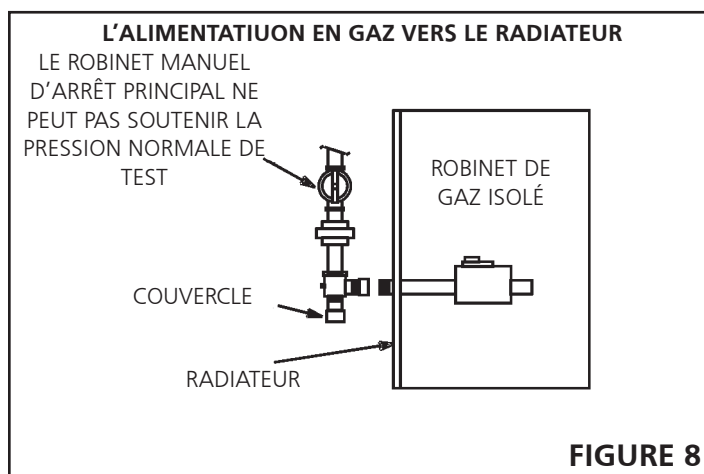
Pour utiliser la soufflante pour la circulation d'air seulement, votre thermostat doit être muni d'une position « ventilateur seulement » ou d'un réglage de sélection du ventilateur. Dans le cas où votre thermostat comporte cette option, un fil additionnel doit être acheminé à la borne « G » sur le bornier du thermostat. Voir le schéma de câblage en page 58.




**FIGURE 6**





**FIGURE 7**




**FIGURE 8**

<b>⚠ AVERTISSEMENT</b>	
	<b>Risque de choc électrique. Peut causer des blessures ou la mort. Ne pas utiliser ce radiateur si quelque partie a été sous l'eau ou dans l'eau. Appeler immédiatement un technicien de service qualifié pour inspecter le radiateur et pour remplacer toute partie du système de contrôle, et tout contrôle de gaz qui aurait été sous l'eau/dans l'eau.</b>

<b>⚠ AVERTISSEMENT</b>	
	<b>Danger d'explosion. Peut causer des blessures ou des dommages à la propriété ou au produit. En cas de surchauffe ou si la coupure de l'alimentation en gaz connaît une défaillance, couper le robinet de gaz manuel vers l'appareil avant de couper l'alimentation électrique.</b>

<b>⚠ AVERTISSEMENT</b>	
	<b>Risque de choc électrique. Peut causer des blessures ou la mort. Avant de tenter d'effectuer un service ou un entretien, couper l'alimentation électrique vers l'appareil au(x) sectionneur(s). L'appareil pourrait être équipé de plusieurs sources d'alimentation.</b>

<b>⚠ AVERTISSEMENT</b>	
	<b>Danger d'explosion et d'incendie. Peut causer des blessures, des dommages à la propriété, ou au produit. Il est impératif de respecter ces instructions intégralement.</b>

## RACCORDEMENT DU GAZ

Lors du raccordement de conduits d'alimentation en gaz, la longueur de course des tuyaux entre le compteur et le radiateur doit être considérée afin de déterminer la taille du tuyau et d'éviter une perte excessive de pression. Pour le gaz naturel, une pression de ligne de 178 mm (7 po) de colonne d'eau doit être maintenue lors du dimensionnement des tuyaux.

Une pression de ligne 330 mm (13 po) de colonne d'eau doit être maintenue pour du gaz propane (GPL). **REMARQUE** : La pâte à joint utilisée sur les joints filetés ou sur les conduits de gaz doit être résistante aux actions des gaz de pétrole liquéfiés.

<b>⚠ AVERTISSEMENT : POUR PRÉVENIR UN DOMMAGE AU RADIATEUR: LORS DE L'UTILISATION D'UN RÉSERVOIR DE PROPANE POUR ALIMENTER LE RADIATEUR, UN RÉGULATEUR DE BASSE PRESSION EST REQUIS POUR UNE PRESSION MINIMALE DE 11 PO À UN MAXIMUM DE 14 PO DE COLONNE D'EAU. CE RÉGULATEUR DOIT ÊTRE INSTALLÉ ENTRE LE RÉSERVOIR ET LE RADIATEUR. Le régulateur n'est pas fourni avec le radiateur</b>
---

Pour le bon dimensionnement des tuyaux, se référer au Code national (américain) du carburant gazeux ANSI Z223.1, ou au code national (canadien) d'installation pour le gaz et le propane CSA B149.1, ou consulter l'utilité ayant la bonne juridiction.

Un point de purge doit être installé dans la course verticale du conduit vers l'appareil. Dans certaines localités, le code peut exiger qu'un robinet manuel principal d'arrêt et une union (à fournir par l'installateur) soient installés, externes à l'appareil. L'union doit être de type « joint avec mise à la terre. » Un point de purge doit être facilement accessible pour permettre le nettoyage et le vidage. Voir la **figure 7**.

**REMARQUE** : Laisser un dégagement minimal de 10 cm (4 po) avec le boîtier de connexion électrique à l'arrière du radiateur, pour permettre l'accès.

Une dérivation fileté de 1/8 po NPT doit être installée immédiatement en amont du raccordement d'alimentation en gaz du radiateur. L'objet de cette dérivation est de pouvoir vérifier la bonne pression du gaz qui entre dans le radiateur.

## VÉRIFICATION DE FUITE

**MISE EN GARDE** NE PAS utiliser d'allumette, de chandelle, de flamme ou toute autre source d'ignition pour vérifier une fuite de gaz. Après avoir terminé les conduits de gaz, vérifier minutieusement toutes les connexions des conduits, (soit de l'usine ou sur le terrain), pour la présence de fuite de gaz. Utiliser une solution savonneuse ou autre méthode préférée.

En raison des cycles naturels de chauffage et de la vibration de cet appareil, il est recommandé, comme faisant partie de son entretien annuel, de vérifier ces connexions pour assurer leur étanchéité et de vérifier la présence de fuite, avec une solution savonneuse ou autre méthode préférée, avant de le mettre en service.

**IMPORTANT**: Le radiateur et son robinet d'arrêt individuel doivent être débranchés du système de conduit d'alimentation en gaz pendant le test de pression de ce système, pour des pressions de test excédant les 3,45 kPa (1/2 psig)..

L'appareil doit être isolé du système des conduites d'alimentation en gaz en fermant son robinet d'arrêt manuel individuel de gaz, pendant un test de pression du système d'alimentation en gaz, à des pressions de test égales ou inférieures à 3,45 kPa (1/2 psig). Voir la **figure 8**.

**REMARQUE** Au cas où un arrêt d'urgence serait requis, couper le robinet de gaz principal, et déconnecter l'alimentation principale de l'appareil. Ces dispositifs doivent être étiquetés adéquatement par l'installateur.

## DÉMARRAGE ET OPÉRATION

### DÉMARRAGE DE L'APPAREIL

LIRE AVANT L'ALLUMAGE, POUR VOTRE SÉCURITÉ

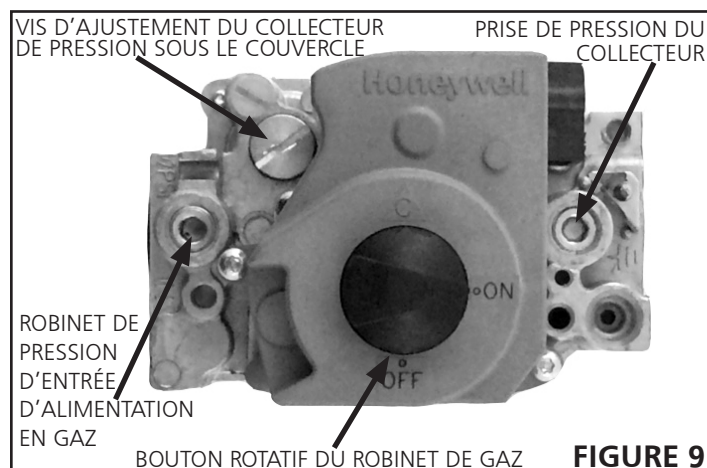
**AVANT L'ALLUMAGE**, sentir tout autour de la zone de l'appareil pour la présence de gaz. S'assurer de sentir près du sol puisque certains gaz sont plus lourds que l'air et s'accumuleront près du sol..

Utiliser uniquement votre main pour déplacer le bouton de contrôle du gaz en position de marche. Ne jamais utiliser un outil. Ne pas utiliser de force excessive pour passer le robinet de la position d'arrêt à la position de marche. L'utilisation de force ou une tentative de réparation peut entraîner un incendie ou une explosion.

Les radiateurs HSU 50/80 sont équipés avec un système automatique d'ignition par étincelle. Il n'y a pas de pilote. En cas d'extinction de sécurité, déplacer le bouton du thermostat à arrêt (OFF), puis remettre le bouton du thermostat à la position de chauffage (HEAT).

Si une surchauffe se produit, ou si l'alimentation en gaz ne se coupe pas, couper le robinet de gaz manuel vers l'appareil, avant de couper l'alimentation électrique.

### OPÉRATION DU ROBINET DE GAZ POUR UN ROBINET DES SÉRIES VR205M HONEYWELL



- 1. ARRÊT!** S'assurer d'avoir lu et bien compris toutes les informations de sécurité concernant le fonctionnement de cet appareil au gaz. Tout service doit être fait par un installateur qualifié et licencié.
- Régler le thermostat à son réglage le plus bas.
- Couper toute alimentation électrique vers l'appareil.
- Cet appareil est équipé avec un dispositif d'ignition qui allume automatiquement le brûleur. **NE PAS** tenter d'allumer les brûleurs manuellement.
- Il y a un bouton rotatif noir lequel peut être passé en position de marche (ON) ou en position d'arrêt (OFF). Pivoter le bouton à la position d'arrêt (OFF). (Voir la **figure 9**).
- Attendre cinq minutes pour que le gaz s'évacue. Par la suite, si une odeur de gaz est détectée, ARRÊTER ! Appeler immédiatement votre fournisseur de gaz avec le téléphone d'un voisin. Suivre les instructions du fournisseur de gaz. Si aucune odeur de gaz n'est détectée, passer à l'étape suivante.
- Pivoter le bouton noir à la position de marche (ON).
- Allumer l'alimentation électrique de l'appareil.
- Placer le thermostat au réglage souhaité.
- La soufflante d'air de combustion va démarrer. Les brûleurs s'allumeront dans les 30 secondes.
- Si l'appareil ne s'allume pas du premier coup (la conduite de gaz n'est pas entièrement purgée) il fera jusqu'à deux autres tentatives avant de se verrouiller en arrêt.
- Si un verrouillage en arrêt se produit, répéter les étapes 1 à 9.
- Si l'appareil ne veut toujours pas fonctionner, suivre les instructions « POUR COUPER LE GAZ VERS L'APPAREIL, » et appeler votre technicien de service ou le fournisseur de gaz.

## POUR COUPER LE GAZ VERS L'APPAREIL

- Placer le thermostat à son réglage le plus bas.
- Couper toute alimentation électrique vers l'appareil, si un service doit être effectué.
- Pivoter le bouton noir à la position d'arrêt (OFF).

## SÉQUENCE D'OPÉRATION DU CHAUFFAGE

- Quand le thermostat commande du chauffage, la soufflante d'air de combustion démarre immédiatement.
- Le manostat de l'air de combustion prouve le fonctionnement de la soufflante, avant de fournir l'alimentation au contrôleur d'ignition. Ce commutateur est réglé à l'usine et aucun ajustement n'est requis.
- Après une pré-purge d'environ 30 secondes, l'ignition par étincelle est énergisée, et l'électrovanne s'ouvre dans le robinet de gaz.
- L'étincelle allume ensuite le gaz, le détecteur d'ignition prouve que la flamme et le processus de combustion continuent.
- Dans l'éventualité où la flamme n'est pas détectée après les 10 premières secondes d'essai d'ignition, le contrôleur répètera les étapes 3 et 4 deux fois de plus, avant de verrouiller le robinet de gaz. Se référer au tableau 3 de la plaquette de contrôle d'ignition. Après 60 minutes, le contrôle d'ignition répètera automatiquement les étapes 3, 4, et 5.  
Pour interrompre la période d'arrêt de 60 minutes en verrouillage, déplacer le thermostat du réglage de chauffage (HEAT) vers l'arrêt (OFF), puis le ramener au réglage de chauffage (HEAT). La séquence de chauffage va redémarrer à l'étape 1.
- Les brûleurs devraient s'allumer sans délai de changement perceptible. Il ne doit pas y avoir d'élévation de flamme en provenance des têtes de brûleur, ni de retour de flamme ou de brûlage dans le brûleur. Les flammes doivent être de couleur prédominante bleue et doivent être à peu près centrées dans les tubes, sans aucune impaction apparente qui prenne place. Si les caractéristiques de votre brûleur ne correspondent pas à celles décrites ci-dessus, se référer à la section sur le dépannage.

- Le contrôle d'ignition mettra en marche le ventilateur, environ 45 secondes après avoir établi l'ignition.
- Après que la demande du thermostat soit satisfaite, le robinet de gaz sera fermé; 5 secondes après que la demande sera satisfaite, la soufflante d'air de combustion s'éteindra.
- Le centre de commande doit éteindre le ventilateur du système, environ 150 secondes après avoir coupé l'alimentation au robinet de gaz.

## DEL DU CONTRÔLE D'IGNITION

La plaquette de contrôle d'ignition comporte une DEL verte qui indique ce qui suit

TABLEAU 3 DEL DU CONTRÔLE D'IGNITION	
DEL	FONCTIONNEMENT DE L'APPAREIL
Clignotement lent*	Fonctionnement normal - pas de demande de chauffage.
Clignotement rapide	Fonctionnement normal - demande de chauffage Signal présent sur la borne FLAME entre 0,6 et 1,0 microampères
2 clignotements	Verrouillage en arrêt du système - manque à détecter ou à soutenir la flamme Signal présent sur la borne FLAME <0,6 microampère
3 clignotements	Le manostat a connu une défaillance en position fermée, avant que la soufflante d'air de combustion soit alimentée, ou il a connu une défaillance en position ouverte, après que la soufflante d'air de combustion ait été alimentée
4 clignotements	Commutateur de haute limite ou limiteur de retour de flamme ouvert
5 clignotements	Flamme détectée et robinet de gaz non-alimenté
Éteint continuellement	Perte d'alimentation/vérifier le fusible de 3 ampères sur la plaquette de circuits
Allumé continuellement	Défaillance du contrôle d'ignition
*Quand le thermostat est placé en mode de ventilateur en continu, la DEL clignotera lentement.	

## CONTRÔLE DE LIMITE

Le commutateur du contrôle de limite a été réglé à l'usine et ne doit pas être ajusté sur le terrain.

## AJUSTEMENT DES PERSIENNES

Pivoter les persiennes pour diriger le courant d'air vers le haut, vers le bas, tout droit ou toute combinaison de ces directions. Quand l'appareil est installé en position inversée, les persiennes peuvent aussi être positionnées de la même manière.

## MANOSTAT DE L'AIR DE COMBUSTION

Ce manostat vérifie le bon fonctionnement de la soufflante d'air de combustion, avant de permettre un essai d'ignition. Le commutateur est réglé à l'usine et aucun ajustement n'est requis sur le terrain. Si la DEL clignote 3 fois, il faut s'assurer que votre aération n'est pas bloquée. Ensuite, retirer le bout du tubage du manostat de la barbelure du VENTILATEUR D'ÉVACUATION. Il pourrait y avoir une obstruction dans l'ouverture de dégagement de la barbelure avec un petit objet qui s'y serait logé. Pousser pour l'éjecter sur toute la longueur de la barbelure, PLUS au moins 1,5 cm (1/2 po) additionnel, dans le cabinet du ventilateur d'évacuation. Cela devrait permettre de dégager tout blocage de l'aspiration qui doit engager le manostat.

## LIMITEUR DE RETOUR DE FLAMME

Le(s) limiteur(s) de retour de flamme sont localisés sur le dessus du boîtier du brûleur, à l'arrière de la plaquette de contrôle d'ignition. Ce commutateur normalement fermé s'ouvre lors d'une élévation de température. Vérifier la disponibilité adéquate d'air de combustion avant de réinitialiser manuellement le commutateur.



## HAUTE ALTITUDE

Les appareils peuvent être allumés à leur pleine puissance à des altitudes pouvant atteindre les 610 m (2 000 pi) au-dessus du niveau de la mer. À plus de 610 m (2 000 pi), la pression au collecteur doit être ajustée sur certains appareils. Ajuster le régulateur de pression pour la pression indiquée dans le **tableau 4** pour du gaz naturel, et le **tableau 5** pour du gaz propane/GPL.

Tableau 4 PRESSION DE GAZ NATUREL AUX COLLECTEURS - POUCES DE COLONNE D'EAU (KPA)		
HSU 50/80/125	ALTITUDE EN PIEDS (M)	
	0 à 2 000 (0-610)	2 000 à 4 500 (610-1 370)
HSU 50/80/125	colonne d'eau de 4,0 po (0,99 KPA)*	colonne d'eau de 3,6 po (0,89 KPA)
*AUCUN AJUSTEMENT REQUIS		

TABLEAU 5 PRESSION DE GAZ PROPANE AUX COLLECTEURS - POUCES DE COLONNE D'EAU (KPA)		
HSU 50/80/125	ALTITUDE EN PIEDS (M)	
	0 à 2 000 (0-610)	2 000 à 4 500 (610-1 370)
HSU 50/80/125	colonne d'eau de 10 po (2,49 KPA)*	colonne d'eau de 8,5 po (2,12 KPA)
*AUCUN AJUSTEMENT REQUIS		

## DÉBIT DU GAZ

Pour vérifier le bon débit de gaz vers la chambre de combustion, déterminer l'entrée en BTU selon la plaque signalétique de l'appareil. Diviser cette entrée en BTU par le nombre de pieds cubes de gaz disponible. Le résultat est le nombre requis de pieds cubes par heure. Déterminer le débit de gaz selon le compteur de gaz pendant deux minutes et multiplier par 30 pour obtenir le débit de gaz par heure.

## PRESSION DU GAZ

- Vérifier la pression de ligne du gaz quand l'appareil est allumé au niveau maximal. Un minimum de 5,0 pouces de colonne d'eau pour le gaz naturel ou de 10,9 pouces de colonne d'eau pour le gaz propane/ GPL doit être maintenu pour un bon fonctionnement de l'appareil.
- Après avoir vérifié, et ajusté, la pression de ligne, vérifier la pression au collecteur. La bonne pression au collecteur est indiquée sur la plaque de classification de l'appareil. Voir la **figure 9** pour l'emplacement de la vis d'ajustement de pression du gaz. Un ensemble de conversion de gaz naturel au gaz propane est requis pour faire la conversion de l'appareil. Se référer aux instructions d'installation fournies avec l'ensemble de conversion pour la procédure de conversion.

## SERVICE

**MISE EN GARDE** Couper le gaz et l'alimentation électrique vers l'appareil avant d'effectuer des opérations d'entretien ou de service sur cet appareil. Se rappeler de suivre les instructions d'allumage lors de la remise en opération de l'appareil, après un service ou un entretien.

Si un ou des fils/câbles d'origine fournis avec l'appareil doivent être remplacés, ils doivent être remplacés avec un matériau de câblage ayant la même classification de température, d'au moins 105o C. Ne pas utiliser cet appareil si quelque partie a été dans l'eau. Appeler immédiatement un technicien de service qualifié pour inspecter l'appareil et remplacer tout élément de contrôle de gaz qui aurait été dans l'eau.

## BRÛLEURS

- Examiner périodiquement que les flammes du brûleur aient la bonne apparence pendant la saison de chauffage.
- Avant chaque saison de chauffage, examiner les brûleurs pour détecter toute présence de dépôt ou de blocage qui pourrait s'être produit.
- Nettoyer les brûleurs comme suit:
  - Couper l'alimentation électrique et de gaz vers l'appareil.
  - Déconnecter les conduits d'alimentation en gaz, les fils de haute tension et des détecteurs. Enlever le collecteur de gaz. Retirer le plateau du brûleur.

- Nettoyer les brûleurs au besoin. S'assurer que les têtes de brûleur s'alignent correctement pour assurer le bon croisement de flamme. Vérifier l'écartement des électrodes et l'ajuster si requis. L'écartement doit être entre 2,79 et 3,56 mm (0,110 à 0,140 po). L'écartement peut être vérifié avec des forets de taille appropriée ou avec des lames calibrées.
- Réinstaller le plateau du brûleur, le collecteur de gaz, les fils de haute tension et des détecteurs. Reconnecter les conduits d'alimentation en gaz.
- Rétablir l'alimentation électrique et l'alimentation en gaz. Suivre les instructions d'allumage pour allumer l'appareil. Vérifier la flamme du brûleur.

## PASSAGE DES ÉMANATIONS ET CABINET DES ÉMANATIONS

Les passages des émanations et le cabinet des émanations doivent être inspectés et nettoyés avant chaque saison de chauffage. La séquence d'opération doit être la suivante :

- Couper l'alimentation électrique et en gaz de l'appareil.
- Déconnecter le filage de la soufflante d'air de combustion.
- Retirer la vis qui fixe le cabinet des émanations sur l'appareil. Retirer le cabinet des émanations. Si nécessaire, retirer l'assemblage de soufflante du cabinet des émanations. Nettoyer le cabinet des émanations avec une brosse métallique.
- Retirer le support de fixation de l'agitateur et les agitateurs. Nettoyer les agitateurs avec une brosse métallique.
- Retirer les brûleurs, tel que décrit dans la section « BRÛLEURS. ».
- Nettoyer les tubes avec une brosse métallique.
- Réassembler l'appareil. Les joints d'étanchéité pour l'air de combustion et du cabinet des émanations doivent aussi être replacés lors du réassemblage.
- Rétablir l'alimentation électrique et l'alimentation en gaz. Suivre les instructions d'allumage pour allumer l'appareil. Vérifier le bon fonctionnement de l'appareil.

## SOUFFLANTE D'AIR DE COMBUSTION

Dans des conditions d'opération normale, la soufflante d'air de combustion doit être vérifiée et nettoyée avant la saison de chauffage, en s'assurant que l'alimentation soit bien débranchée. Utiliser une petite brosse pour nettoyer la roue de la soufflante.

## ÉLECTRICITÉ

- Vérifier tout filage pour la présence de connexion lâche.
- Vérifier que le voltage sur l'appareil est le bon (pendant que l'appareil fonctionne).
- Vérifier le courant tiré.

## ÉMANATIONS ET CHEMINÉE

Vérifier l'étanchéité de tous les joints des connecteurs d'évent, et des événements. S'assurer que les connexions sont scellées et qu'il n'y a pas de blocage.

## L'APPAREIL NE FONCTIONNE PAS

Si l'appareil ne fonctionne pas, vérifier ce qui suit :

- Le thermostat demande-t-il du chauffage?
- Le sectionneur principal est-il fermé?
- Un disjoncteur s'est-il déclenché, ou un fusible est-il brûlé?
- Le gaz est-il disponible/ouvert au compteur?
- Le robinet d'arrêt manuel est-il ouvert?
- Le système d'ignition de l'appareil est-il en mode de verrouillage? Si l'appareil se place en mode verrouillage à nouveau, appeler un technicien de service pour inspection de l'appareil.
- Le manostat est-il fermé? Une obstruction des émanations entraîne l'arrêt de l'appareil, au manostat. Vérifier le passage des émanations et la sortie.



# SCHÉMA DE CÂBLAGE

⚠ CHARGE MAXIMALE NE DOIT PAS EXCÉDER 20 VA À 24 V, CLASSE 2

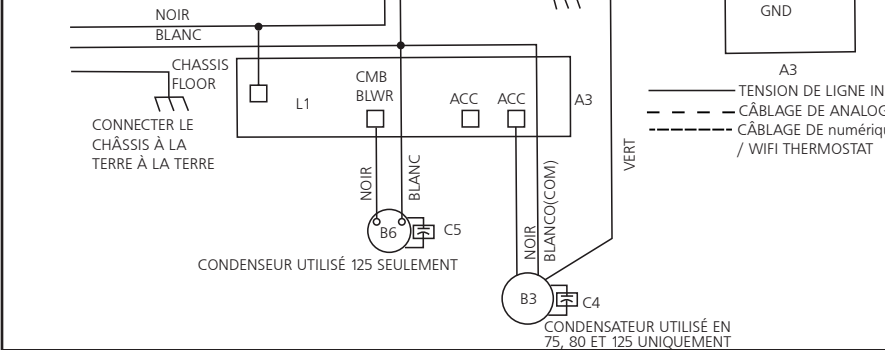
(2) S47 UTILISÉ EN 75, 80 ET 125 SEULEMENT

NOTE  
SI TOUT CÂBLE EST REMPLACÉ PAR CET APPAREIL, IL DOIT ÊTRE REMPLACÉ PAR UN FIL DE TAILLE SIMILAIRE, LA QUALIFICATION ET L'ÉPAISSEUR D'ISOLATION.

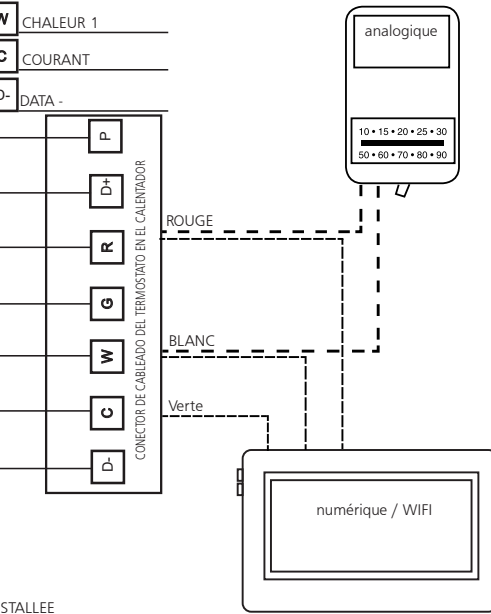
AVERTISSEMENT LE RISQUE DE CHOC ÉLECTRIQUE PEUT ENTRAÎNER DES BLESSURES OU LA MORT. L'UNITÉ DOIT ÊTRE RELIÉE À LA TERRE SELON LES CODES NATIONAUX ET LOCAUX.

DÉCONNECTEZ TOUTE L'ÉNERGIE AVANT D'EFFECTUER LE SERVICE!

DESCRIPCIÓN	LLAVE / COMPONENTE
A3	TABLEAU DE COMMANDE (PCB)
B3	MOTEUR - CIRCULATION
B6	INDUCTEUR D'AIR DE COMBUSTION DE MOTEUR
C4	CONDENSATEUR-VENTILATEUR MOTEUR1
C5	CONDENSATEUR-MOTEUR DE TRACTION INDUITE
DL36	RELAIS - RETARD (NON À CES MODÈLES)
GV1	SOUPAPE-GAZ
S10	COMMUTATEUR-GAZ PRIMAIRE
S18	COMMUTATEUR-SVENTILATEUR D'AIR DE
S47	COMMUTATEUR-LE DÉPLOIEMENT DE LA FLAMME
T1	TRANSFORMATEUR-CONTRÔLE

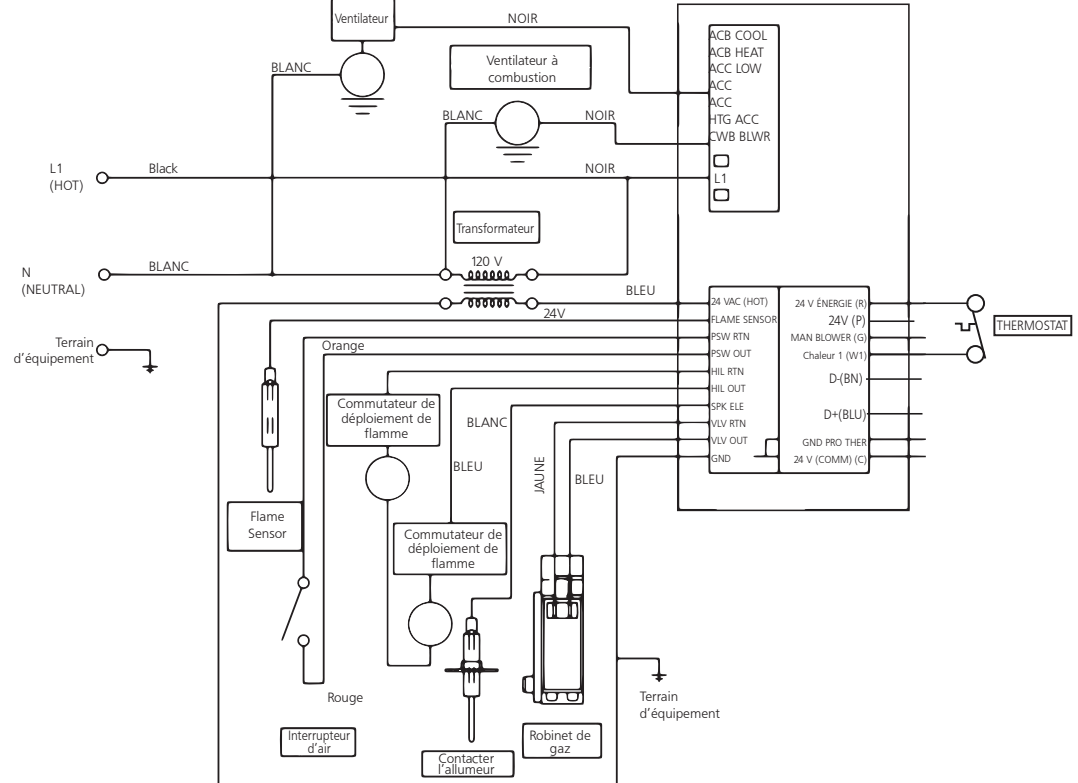


- P 24V Power
- D+ DATA +
- R 24 Vac ENERGIE
- G CONTRÔLE FACULTATIF DU VENTILATEUR
- W CHALEUR 1
- C COURANT
- D- DATA -



**INSTALLATION DU THERMOSTAT OPTIONNEL**  
IL EST RECOMMANDÉ D'UTILISER LE FIL 18 AWG LORS DE L'INSTALLATION DU THERMOSTAT. RACCORDER LE CÂBLAGE DU THERMOSTAT AUX BORNES «R» ET «W», COMME INDIQUÉ DANS LE SCHÉMA.  
REMARQUE: LES CONNEXIONS DE LA BORNE DU THERMOSTAT SONT MONTÉES SUR LE PANNEAU ARRIÈRE DU CHAUFFE-EAU.  
**BANDE DE TERMINAL DU THERMOSTAT EXTÉRIEUR**  
**AVERTISSEMENT: NE CONNECTEZ PAS L'ALIMENTATION DE LA LIGNE À LA BANDE DE TERMINAL DU THERMOSTAT.**

# DIAGRAMME EN ÉCHELLE



# INSTRUCTIONS POUR LA CONVERSION DE CARBURANT

## Section 1 ENSEMBLES DE CONVERSION DE CARBURANT

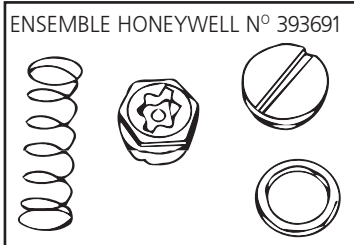
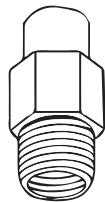
### Pour la conversion de gaz naturel à GPL

Model Number \_\_\_\_\_ This appliance was converted on \_\_\_\_\_ (D/M/Y) to \_\_\_\_\_ Gas  
 (MODEL N°) \_\_\_\_\_ with file No. \_\_\_\_\_ 37 \_\_\_\_\_  
 Serial Number \_\_\_\_\_ (Name and address of organization making this conversion), which accepts the responsibility  
 Numéro de série \_\_\_\_\_ that this conversion has been properly made.  
 Model/Part Number \_\_\_\_\_  
 (Parties 2 Adresses) \_\_\_\_\_  
 Date \_\_\_\_\_ Cet appareil a été converti le \_\_\_\_\_ (jour-mois-année) pour  
 Étiquette de \_\_\_\_\_ fonctionner au gaz \_\_\_\_\_ à l'aide de la broche n° \_\_\_\_\_  
 Conversion Gas \_\_\_\_\_ par \_\_\_\_\_  
 (Conversion au gaz) \_\_\_\_\_ (Nom et adresse de l'organisme qui effectue la conversion, qui accepte l'entière responsabilité de  
 la conversion.)  
 Voir aussi: (Prenez de l'abonnement au gaz)  
 13575

Étiquette de conversion de gaz

This control valve has been converted for use with \_\_\_\_\_ (GPL)  
 Cette commande a été convertie pour fonctionner au gaz \_\_\_\_\_ (GPL)

Étiquette de contrôle de conversion



ENSEMBLE HONEYWELL N° 393691

N° de pièce de l'orifice  
 (Voir le tableau ci-dessous)

Numéros de pièce pour la conversion de carburant		
N° de modèle	BTU/HR	Naturel - à - GPL F260163
HSU 50	50,000	
HSU 80	80,000	
HSU 125	125,000	

Part Number	Description	50	80	125
13575	Étiquette de conversion de gaz	1	1	1
60232	Étiquette de classification	1		
60233	Étiquette de classification		1	
60234	Étiquette de classification			1
11727	Ressort - robinet de gaz (étiquette incluse)	1	1	1
60156	Orifice pour GPL	3	5	8
13576	Étiquette de contrôle de conversion	1	1	1

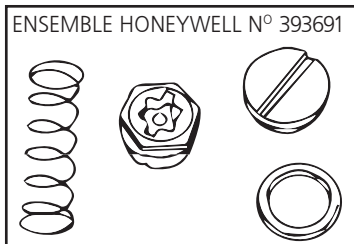
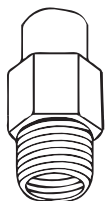
### Pour la conversion de GPL à gaz naturel

Model Number \_\_\_\_\_ This appliance was converted on \_\_\_\_\_ (D/M/Y) to \_\_\_\_\_ Gas  
 (MODEL N°) \_\_\_\_\_ with file No. \_\_\_\_\_ 37 \_\_\_\_\_  
 Serial Number \_\_\_\_\_ (Name and address of organization making this conversion), which accepts the responsibility  
 Numéro de série \_\_\_\_\_ that this conversion has been properly made.  
 Model/Part Number \_\_\_\_\_  
 (Parties 2 Adresses) \_\_\_\_\_  
 Date \_\_\_\_\_ Cet appareil a été converti le \_\_\_\_\_ (jour-mois-année) pour  
 Étiquette de \_\_\_\_\_ fonctionner au gaz \_\_\_\_\_ à l'aide de la broche n° \_\_\_\_\_  
 Conversion Gas \_\_\_\_\_ par \_\_\_\_\_  
 (Conversion au gaz) \_\_\_\_\_ (Nom et adresse de l'organisme qui effectue la conversion, qui accepte l'entière responsabilité de  
 la conversion.)  
 Voir aussi: (Prenez de l'abonnement au gaz)  
 13575

Gas Conversion Labels

This control valve has been converted for use with \_\_\_\_\_ (GPL)  
 Cette commande a été convertie pour fonctionner au gaz \_\_\_\_\_ (GPL)

Control Conversion Labels



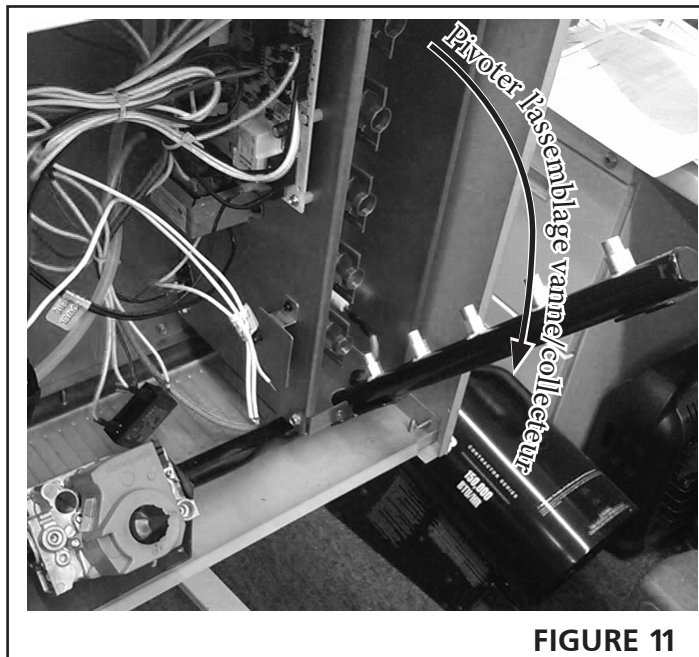
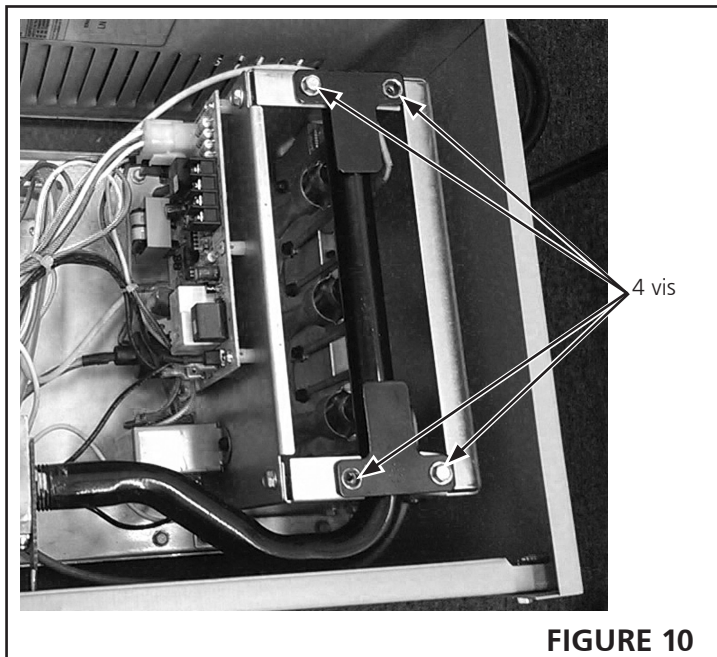
ENSEMBLE HONEYWELL N° 393691

N° de pièce de l'orifice  
 (Voir le tableau ci-dessous)

Numéros de pièce pour la conversion de carburant		
Model #	BTU/HR	GPL - à - Naturel F260164
HSU 50	50,000	
HSU 80	80,000	
HSU 125	125,000	

Part Number	Description	50	80	125
13575	Étiquette de conversion de gaz	1	1	1
60235	Étiquette de classification	1		
60236	Étiquette de classification		1	
60237	Étiquette de classification			1
11727	Ressort - robinet de gaz (étiquette incluse)	1	1	1
60049	Orifice pour GPL	3	5	8
13576	Étiquette de contrôle de conversion	1	1	1

## Section 2 INSTRUCTIONS POUR LA CONVERSION DE CARBURANT



### **⚠ AVERTISSEMENT : Danger d'explosion**



Couper l'alimentation en gaz vers le radiateur, avant d'effectuer un service ou un entretien. Un manquement à suivre ces instructions peut entraîner la mort, des blessures ou des dommages à la propriété.

### **⚠ AVERTISSEMENT : Risque de choc électrique**



Débrancher le cordon d'alimentation électrique de la prise de courant avant d'effectuer un entretien ou un service. Un manquement à suivre ces instructions peut entraîner la mort, des blessures ou des dommages à la propriété.

**L'électrode et le capteur ne sont pas ajustables. NE PAS changer l'emplacement ou la position comme une partie de cet ensemble de conversion.**

### **AVERTISSEMENT**

Cet ensemble de conversion doit être installé par un employé qualifié d'un organisme de services en suivant les directives du fabricant et tous les codes et les exigences établis par l'autorité compétente. Si les renseignements contenus dans ces directives ne sont pas respectés à la lettre, il pourrait se produire un incendie, une explosion ou une production de monoxyde de carbone qui pourraient endommager les biens, entraîner des dommages corporels ou même la mort. L'employé qualifié de l'organisme de services qui effectue cette tâche est entièrement responsable de la qualité de conversion qui sera réalisée à l'aide de cet ensemble.

### **Étape 1**

**MISE EN GARDE : L'APPAREIL NE DOIT PAS ÊTRE RACCORDÉ SOIT À L'ALIMENTATION EN GAZ OU À L'ALIMENTATION ÉLECTRIQUE, AVANT DE PROCÉDER À CETTE CONVERSION.**

### **Étape 2**

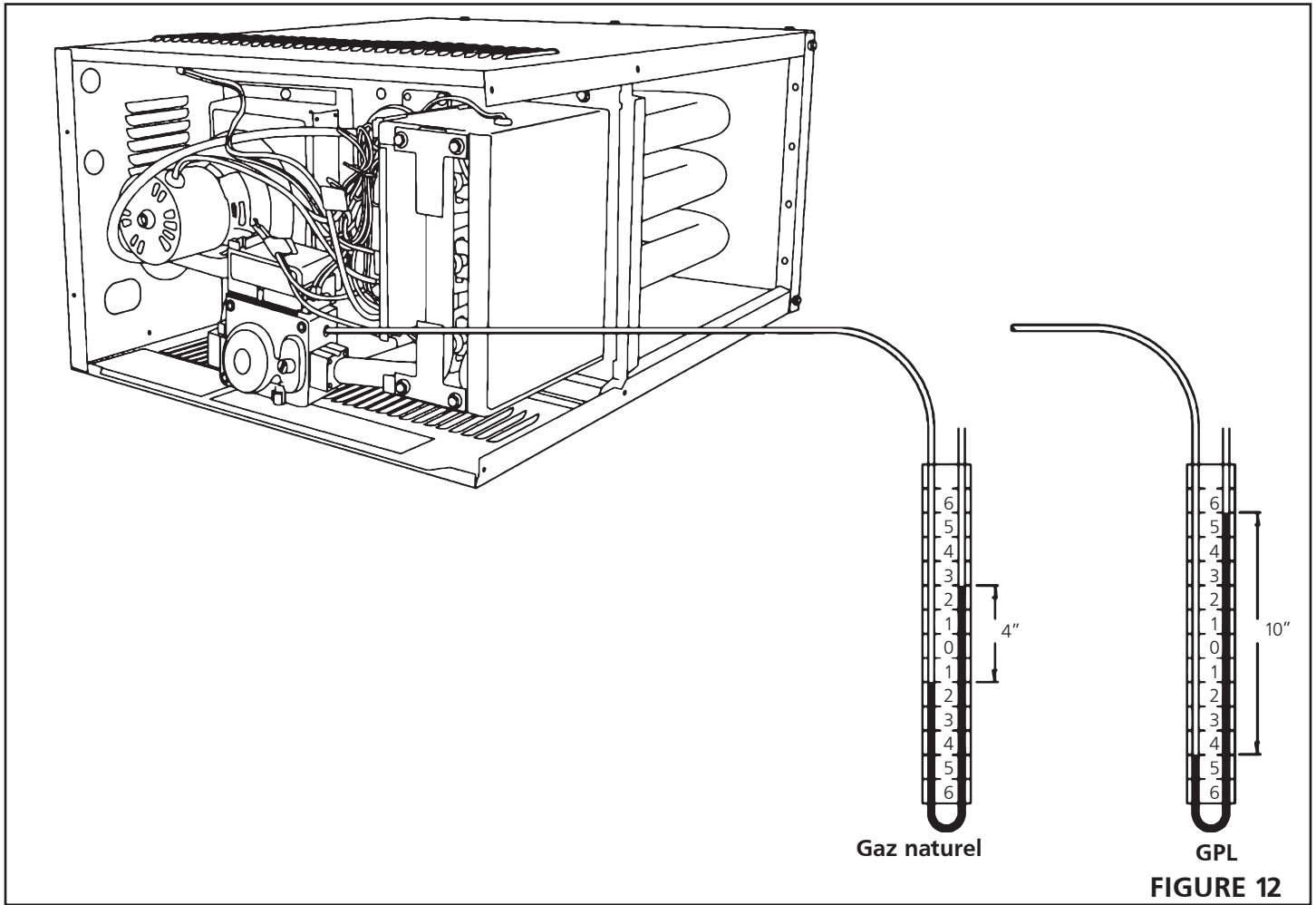
Retirer et garder les quatre vis retenant le collecteur sur le cabinet du brûleur (Figure 10). Pivoter l'assemblage vanne/collecteur, loin des brûleurs (Figure 11). L'assemblage vanne/collecteur tient les orifices (3-HSU50, 5-HSU80, 8-HSU125). Cela permet l'accès aux orifices sur le collecteur, et aussi au ressort d'ajustement du régulateur/vanne.

### **Étape 3**

Retirer et jeter le couvercle du ressort d'ajustement du robinet de gaz/ régulateur, avec un tournevis plat, en tournant la vis en sens antihoraire. Retirer et jeter la vis d'ajustement du régulateur, qui se trouve sous le couvercle. Retirer et jeter le ressort qui est localisé sous la vis d'ajustement. Prendre le jeu de ressort dans l'ensemble de conversion, et comparer le numéro de pièce du jeu avec la liste des pièces en page 3. S'il ne correspond pas, communiquer immédiatement avec Heatstar, Inc. pour obtenir le bon jeu. Après avoir confirmé que le jeu de ressort est correct pour le modèle de radiateur à convertir, installer le nouveau ressort et la vis d'ajustement. Tourner la vis d'ajustement du ressort en sens horaire (vers l'intérieur) jusqu'à ce que la vis s'arrête, puis, la tourner en sens antihoraire (vers l'arrière) de 1 tour. Apposer l'étiquette de conversion fournie avec le jeu de ressort sur la vanne près de l'ouverture du couvercle de la vis d'ajustement.

### **Étape 4**

Retirer et jeter les orifices (3-HSU50, 5-HSU80, 8-HSU125) du collecteur avec une clé de 1/2 po. Les tourner en sens antihoraire pour les retirer. Prendre les nouveaux orifices de l'ensemble de conversion et avant l'installation, confirmer que le numéro estampé sur le côté de l'orifice correspond au numéro sur le jeu à installer. S'il ne correspond pas, communiquer immédiatement avec Heatstar, Inc. pour obtenir le bon jeu. S'il s'agit des bons orifices, les installer dans le collecteur, en prenant soin de ne pas fausser le filetage.



**FIGURE 12**

### Étape 5

Gire el mecanismo de válvulas/múltiple nuevamente dentro de la caja de combustión, verificando que todos los orificios queden dentro de los quemadores y que no queden atrapados en el anillo de fijación de la parte de atrás de cada quemador. Fije el múltiple a la caja de combustión con los cuatro tornillos removidos en el paso 2.

### Étape 6

En suivant les instructions dans le mode d'emploi du radiateur, monter le radiateur et raccorder l'alimentation en gaz (en s'assurant de vérifier toutes les connexions pour la présence de fuite, avec une solution d'eau savonneuse).

### Étape 7

Retirer le bouchon de test de pression de la vanne et le conserver pour usage ultérieur. Raccorder un tube manométrique en U rempli d'eau, pour tester le port. Voir la figure 12. Utiliser un manomètre puisque les jauges de test ne sont pas fiables, et qu'elles peuvent donner une fausse lecture.

### Étape 8

Brancher l'alimentation électrique principale, et ouvrir l'alimentation principale en gaz.

### Étape 9

Tourner le thermostat pour une demande de chauffage, ce qui va lancer la séquence d'ignition du radiateur.

### Étape 10

Lorsque les brûleurs s'allument, régler la pression du gaz au collecteur, en tournant la vis d'ajustement sur le ressort du régulateur qui a été remplacé à l'étape 6. Après l'avoir ajusté, remplacer le couvercle de la vis d'ajustement par un nouveau, provenant de l'ensemble de conversion.



**Diminuer la pression -  
sens antihoraire**



**Augmenter la  
pression - sens horaire**

Consultez le Tableau 6 pour connaître les exigences relatives à la pression d'entrée et pour régler les pressions d'admission selon le type de gaz et l'altitude (voir Tableaux 4 et 5). L'illustration du manomètre (voir la figure 12) indique chacune des lectures de pression.

### Étape 11

Abaissér le réglage du thermostat et laisser le radiateur compléter un cycle de refroidissement. Puis, déconnecter l'alimentation électrique principale, et ouvrir la principale alimentation en gaz vers l'appareil.

### Étape 12

Déconnecter le manomètre de l'appareil, et replacer le bouchon de test sur la vanne, (retiré à l'étape 6).

## Section 3 CONVERSION DE L'ÉTIQUETTE DE CLASSIFICATION

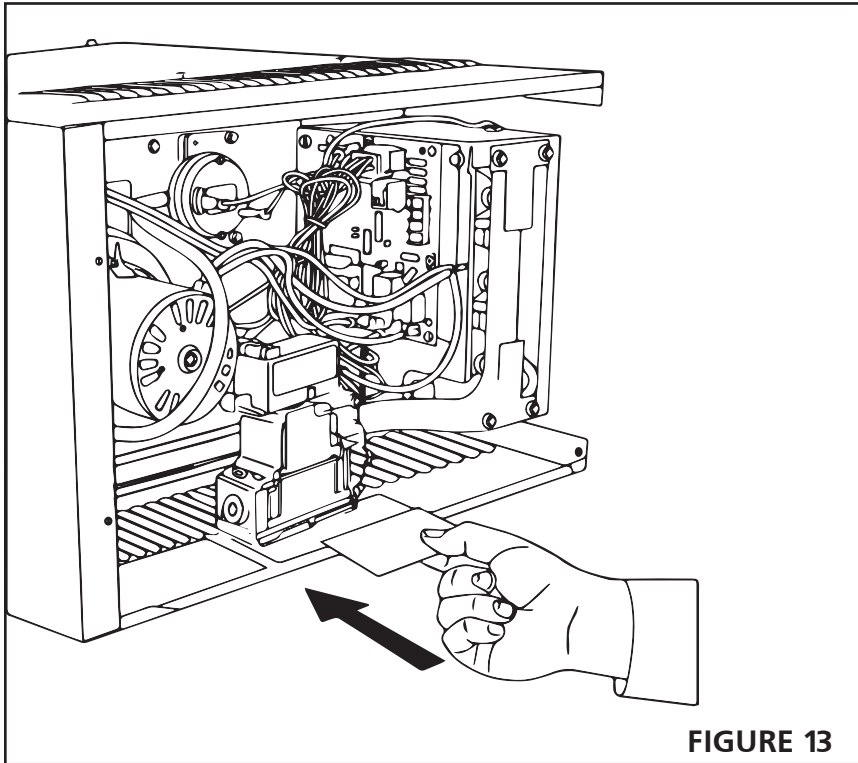


FIGURE 13

### Étape 13

Brancher l'alimentation électrique principale, et remettre l'alimentation principale en gaz. Monter le réglage du thermostat pour une demande de chauffage. Quand les brûleurs principaux s'allumeront, vérifier minutieusement toutes les connexions pour détecter la présence de fuite de gaz avec une solution d'eau savonneuse. Se rappeler de vérifier aussi le bouchon de test de pression, remplacé à l'étape 12. Laisser fonctionner le radiateur pendant au moins 5 minutes, puis observer la flamme du brûleur principal. Une flamme solide bleue s'étendant dans le tube est une flamme normale. Des pointes légèrement jaunes sont aussi acceptables. Il n'y a aucun ajustement pour l'air vers le brûleur.

### Étape 14

Voir la figure 13. Retirer la plaque signalétique pour leurs gaz respectif. Retirer l'étiquette et la placer sur la portion d'étiquette existante. Cette étiquette est pré-imprimée avec toutes les informations correctes pour le radiateur converti.

### Étape 15

Sortir l'étiquette d'information de conversion du jeu, et remplir les informations. Puis, placer cette étiquette sous l'étiquette de classification mise à jour sur l'appareil.

### Étape 16

Replacer tout panneau et faire fonctionner le radiateur, en respectant toutes les mises en garde/avertissements et les instructions dans le mode d'emploi et sur les étiquettes.

**Tableau 4 PRESSION DE GAZ NATUREL AUX COLLECTEURS - POUCES DE COLONNE D'EAU (KPA)**

HSU 50/80/125	ALTITUDE EN PIEDS (M)	
	0 à 2 000 (0-610)	2 000 à 4 500 (610-1 370)
HSU 50/80/125	colonne d'eau de 4,0 po (0,99 KPA)*	colonne d'eau de 3,6 po (0,89 KPA)

\*AUCUN AJUSTEMENT REQUIS

**TABLEAU 5 PRESSION DE GAZ PROPANE AUX COLLECTEURS - POUCES DE COLONNE D'EAU (KPA)**

HSU 50/80/125	ALTITUDE EN PIEDS (M)	
	0 à 2 000 (0-610)	2 000 à 4 500 (610-1 370)
HSU 50/80/125	colonne d'eau de 10 po (2,49 KPA)*	colonne d'eau de 8,5 po (2,12 KPA)

\*AUCUN AJUSTEMENT REQUIS

**Tableau 6  
PRESSIONS D'ENTRÉE:**

<b>Gaz naturel</b> <b>MAX - 3,49 kPa (colonne d'eau de 14 po)</b> <b>MIN - 1,25 kPa (5 po de colonne d'eau)</b>
<b>Propane</b> <b>MAX - 3,49 kPa (colonne d'eau de 14 po)</b> <b>MIN - 2,74 kPa (colonne d'eau de 11 po)</b>

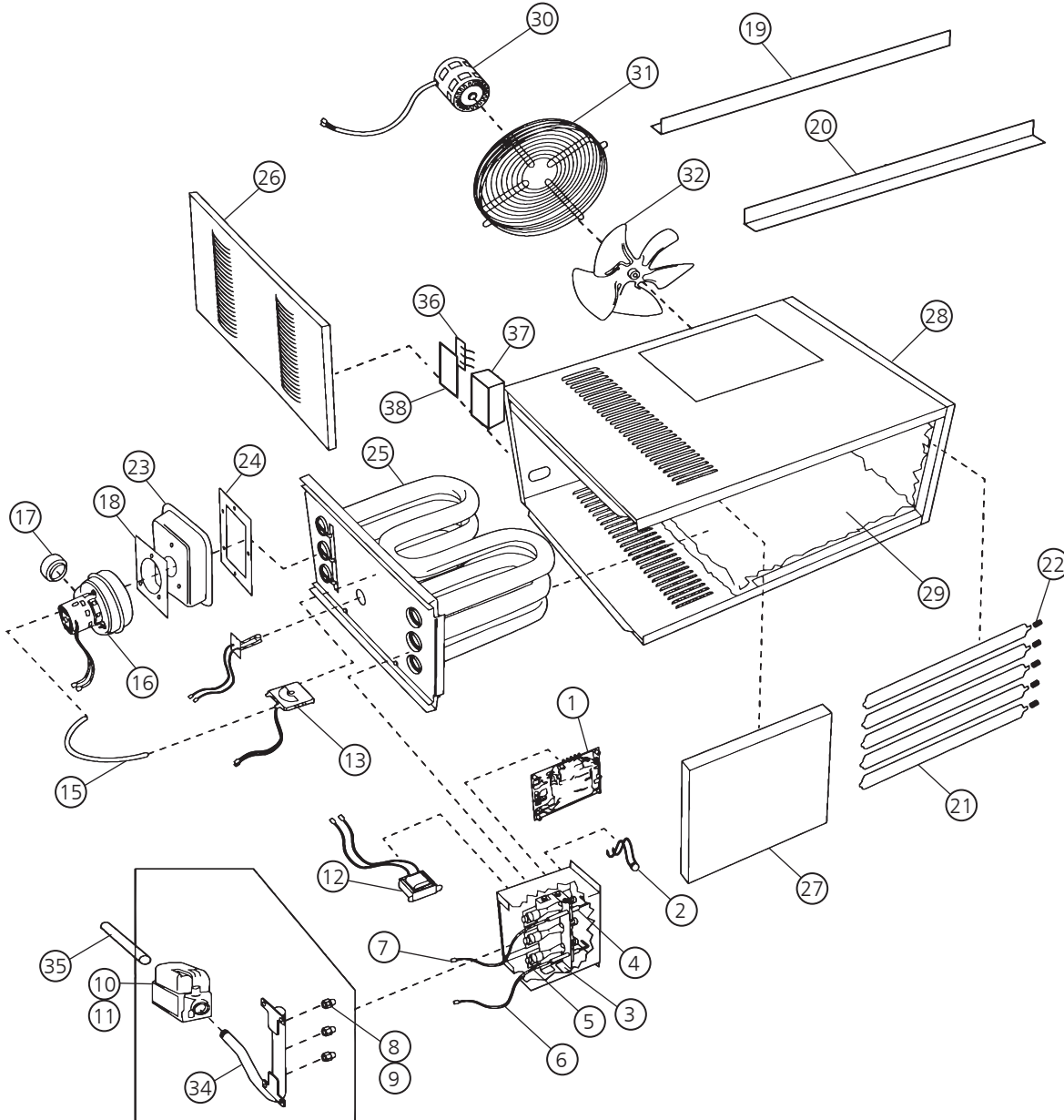


**THIS PAGE INTENTIONALLY LEFT BLANK  
ESTA PÁGINA SE DEJÓ INTENCIONALMENTE EN BLANCO  
CETTE PAGE A ÉTÉ INTENTIONNELLEMENT LAISSÉE VIERGE**

## PIÈCES POUR RÉPARATION

Lors des commandes de pièces, inclure le numéro de modèle complet de l'appareil, tel qu'indiqué sur la plaque signalétique de l'appareil.

### Heatstar • Radiateur compact • No de modèle HSU 50/80



## LISTE DES PIÈCES

VOIR LA PAGE DE COUVERTURE ARRIÈRE POUR L'INFORMATION DE COMMANDE DE PIÈCE

N° de réf	Description	50K	Qté	80K	Qté
1	PLAQUETTE DE CIRCUIT	60261	1	60261	1
2	SONDE DE LIMITE	60022	1	60021	1
3	ÉLECTRODE D'IGNITION	60139	1	60139	1
4	DÉTECTEUR D'ÉLECTRODE	60141	1	60141	1
5	BRÛLEUR	60155	3	60155	5
6	FIL D'IGNITION	60045	1	60045	1
7	FIL DU DÉTECTEUR	60046	1	60046	1
8	ORIFICE (NATUREL)	60049	3	60049	5
9	ORIFICE (GPL)	60156	3	60156	5
10	ROBINET DE GAZ (NATUREL)	60128	1	60128	1
11	ROBINET DE GAZ (GPL)	60129	1	60129	1
12	TRANSFORMATEUR	60032	1	60032	1
13	MANOSTAT	60147	1	60146	1
14	DÉTECTEUR DE HAUTE LIMITE DE L'ÉCHANGEUR DE CHALEUR	60015	1	60015	1
15	TUBE DU MANOSTAT	60031	1	60031	1
16	MOTEUR À TIRAGE INDUIT	60020	1	60020	1
17	ADAPTATEUR D'ÉVENT	60140	1	60140	1
18	JOINT D'ÉTANCHÉITÉ DU MOTEUR À TIRAGE INDUIT	60157	1	60157	1
19	SUPPORT ARRIÈRE	60241	1	60241	1
20	SUPPORT AVANT	60242	1	60242	1
21	PERSIENNES	60243	5	60243	7
22	RESSORT DE PERSIENNE	60260	5	60260	7
23	CABINET DES ÉMANATIONS	60189	1	60190	1
24	JOINT D'ÉTANCHÉITÉ DU CABINET DES ÉMANATIONS	60090	1	60092	1
25	ÉCHANGEUR DE CHALEUR	60065	1	60068	1
26	PORTE D'ACCÈS	60263	1	60264	1
27	AVANT	60245	1	60250	1
28	PORTE DE CÔTÉ	60246	1	60251	1
29	ENVELOPPE	60115	3	60117	3
30	MOTEUR DU VENTILATEUR	60055	1	60054	1
31	GARDE DU VENTILATEUR	60120	1	60122	1
32	ASSEMBLAGE DU VENTILATEUR	60125	1	60127	1
32	DÉMARREUR À CONDENSATEUR		1	28788	1
34	COLLECTEUR	60062	1	60064	1
35	CONDUIT D'ENTRÉE	60132	1	60132	1
36	BORNIER DU THERMOSTAT	60262	1	60262	1
37	BOÎTE DE JONCTION DU FILAGE	60247	1	60247	1
38	COUVERCLE- BOÎTE DE JONCTION	60248	1	60248	1
39	SUPPORT POUR LE ROBINET DE GAZ	60158	1	60158	1

### Composantes optionnelles pour l'installation

2THERMOSTAT 24 V .....	F210359
JEU D'ÉVENT VERTICAL DE 10 CM (4 PO) (50/80/125) .....	F102848
JEU D'ÉVENT HORIZONTAL EN ACIER INOXYDABLE DE 10 CM (4 PO) (50/80/125) .....	F102860

### Ensembles de conversion de gaz

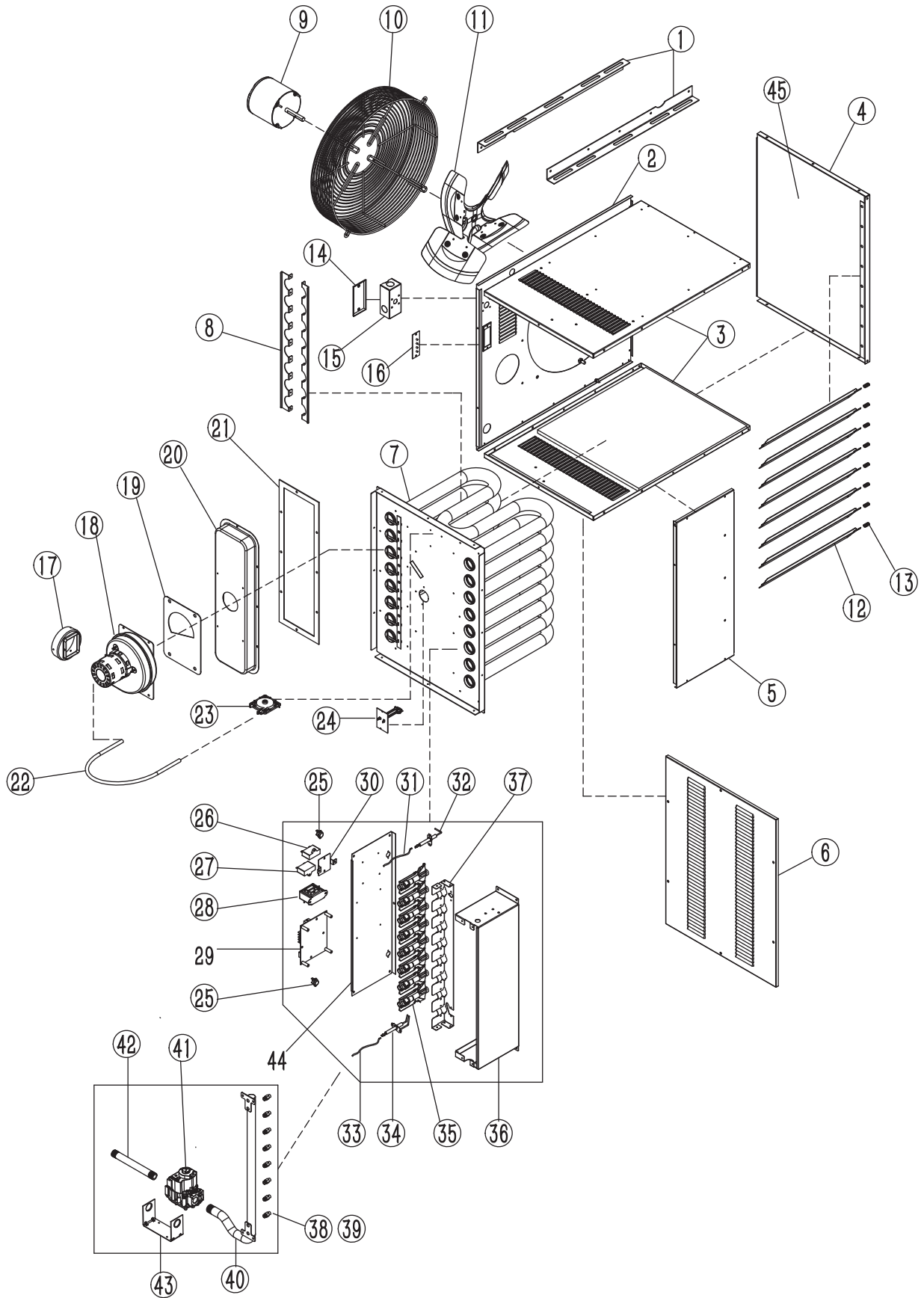
#### Gaz naturel vers GPL

HSU 50/80/125 .....	F260163
---------------------	---------

#### GPL vers gaz nature

HSU 50/80/125 .....	F260164
---------------------	---------

Heatstar • Radiateur compact • No de modèle # HSU125



# LISTE DES PIÈCES

VOIR LA PAGE DE COUVERTURE ARRIÈRE POUR L'INFORMATION DE COMMANDE DE PIÈCE

No de réf.	Description	125K	Qté
1	SUPPORT	60252	2
2	PANNEAU DE MONTAGE- MOTEUR	60253	1
3	PANNEAU DE MONTAGE- AVANT ET ARRIÈRE	60254	2
4	PANNEAU DE MONTAGE- BAS	60255	1
5	PANNEAU DE MONTAGE- CÔTÉ	60256	1
6	PANNEAU DE MONTAGE- DESSUS	60265	1
7	ÉCHANGEUR DE CHALEUR	60206	1
8	SUPPORT- ÉCHANGEUR D'AIR	60207	2
9	MOTEUR DU VENTILATEUR	60208	1
10	GARDE DU VENTILATEUR	60209	1
11	ASSEMBLAGE DU VENTILATEUR	60210	1
12	PERSIENNES	60258	8
13	RESSORT DE PERSIENNE	60260	8
14	COUVERCLE- BOÎTE DE JONCTION DU FILAGE	60248	1
15	BOÎTE DE JONCTION DU FILAGE	60247	1
16	BORNIER DU THERMOSTAT	60262	1
17	ADAPTATEUR D'ÉVENT	60213	1
18	MOTEUR À TIRAGE INDUIT	60214	1
19	JOINT D'ÉTANCHÉITÉ DU MOTEUR À TIRAGE INDUIT	60215	1
20	CABINET DES ÉMANATIONS	60216	1
21	JOINT D'ÉTANCHÉITÉ DU CABINET DES ÉMANATIONS	60217	1
22	TUBE DU MANOSTAT 6	60031	1
23	MANOSTAT 6014	60147	1
24	SONDE DE HAUTE LIMITE DE L'ÉCHANGEUR DE CHALEUR 6	60015	1
25	SONDE DE LIMITE 6	60022	2
26	COUVERCLE- MOTEUR DU VENTILATEUR	28735	1
27	COUVERCLE- MOTEUR À TIRAGE INDUIT	28788	1
28	TRANSFORMATEUR	60032	1
29	PLAQUETTE DE CIRCUIT	60261	1
30	SUPPORT- COUVERCLE	60223	1
31	FIL DU DÉTECTEUR	60046	1
32	DÉTECTEUR D'ÉLECTRODE	60141	1
33	FIL DE L'IGNITEUR	60224	1
34	ÉLECTRODE D'IGNITION	60139	1
35	BRÛLEUR	60155	8
36	CABINET DU BRÛLEUR	60225	1
37	SUPPORT DU BRÛLEUR	60226	1
38	ORIFICE (NATUREL)	60229	8
39	ORIFICE (GPL)	60230	8
40	COLLECTEUR	60227	1
41	ROBINET DE GAZ (NATUREL)	60128	1
42	CONDUIT D'ENTRÉE	60132	1
43	SUPPORT POUR LE ROBINET DE GAZ	60158	1
***	ISOLATION POUR LE FOND	60220	1
***	ISOLATION POUR L'AVANT ET L'ARRIÈRE	60231	2
***	ISOLANT D'ÉCHANGEUR DE CHALEUR	60218	1

\*\*\* NON MONTRÉ DANS LA FIGURE





# MANUEL DE L'UTILISATEUR ET INSTRUCTIONS D'OPÉRATION

N° de modèle  
HSU50NG  
HSU80NG  
HSU125NG

**LIRE ATTENTIVEMENT CES INSTRUCTIONS:** VOTRE SÉCURITÉ EST IMPORTANTE POUR VOUS ET POUR LES AUTRES. Lire et suivre toutes les instructions. Placer ces instructions dans un endroit sûr pour référence future. Ne pas permettre à quiconque qui n'aurait pas lu ces instructions de procéder à un assemblage, un ajustement, à l'allumage ni au fonctionnement de ce radiateur.



## AVERTISSEMENT:

UTILISER UNIQUEMENT DES PIÈCES DE RECHANGE D'ORIGINE DU FABRICANT. L'UTILISATION D'AUTRES PIÈCES DE RECHANGE PEUT ENTRAÎNER DES BLESSURES OU UN DÉCÈS. LES PIÈCES DE RECHANGE SONT SEULEMENT DISPONIBLES DIRECTEMENT AUPRÈS DU FABRICANT, ET ELLES DOIVENT ÊTRE INSTALLÉES PAR UNE AGENCE DE SERVICE QUALIFIÉE

## INFORMATION POUR LA COMMANDE DE PIÈCES:

**APPROVISIONNEMENT:** IL EST POSSIBLE D'ACHETER DES ACCESSOIRES AUPRÈS D'UN DÉTAILLANT LOCAL DES PRODUITS HEATSTAR, OU DIRECTEMENT DU FABRICANT.

### POUR DES INFORMATIONS CONCERNANT LE SERVICE:

Nos heures d'ouverture de bureau sont de 8h00 à 17h00, HNE, du lundi au vendredi. Veuillez inclure le numéro de modèle, la date d'achat et une description du problème, dans toutes vos communications.

## GARANTIE LIMITÉE:

La compagnie garantit ce produit pour être libre de toute imperfection de matériau et de main-d'oeuvre, sous des conditions d'utilisation normale et de bon usage, en conformité avec les instructions de la compagnie, pour une période de 3 ans sur les pièces (garantie limitée) et de 10 ans sur l'échangeur de chaleur, à partir de la date de livraison à l'acheteur. La compagnie, à son unique discrétion, va réparer ou remplacer les produits retournés à l'usine par l'acheteur, frais de transport prépayés, pendant la dite période d'un an et si déterminé par la compagnie comme ayant des imperfections de matériau ou de main-d'oeuvre.

Si une pièce est endommagée ou manquante, appeler notre département de soutien technique au 866-447-2194.

Adresser toute réclamation sous garantie à : Service Department, Heatstar, Inc., 4560 W. 160TH ST., CLEVELAND, OHIO 44135. Inclure votre nom, adresse et numéro de téléphone, et inclure les détails concernant votre réclamation. Veuillez nous fournir aussi la date d'achat ainsi que le nom et l'adresse du détaillant duquel vous avez acheté notre produit.

TCe qui précède décrit la pleine mesure des responsabilités de la compagnie. Aucune autre garantie n'est offerte, qu'il s'agisse d'une garantie expresse ou tacite. Spécifiquement, il n'y a aucune garantie d'adaptation à un usage particulier, et il n'y a aucune garantie de qualité marchande. En aucun cas la compagnie ne peut être tenue responsable d'un délai causé par une imperfection, d'un dommage consécutif, ni pour de tout autre frais ou dépense de quelque nature, encourue sans son consentement par écrit. Le coût du remplacement ou de réparation est le recours exclusif pour toute brèche de garantie. Aucune garantie n'est offerte pour toute transgression aux présentes, ni aucune garantie tacite survenant du cours d'une conduite habituelle ou d'usage du commerce. Cette garantie ne s'applique pas à un produit qui aurait été altéré ou réparé à l'extérieur de l'usine en respect de quoi, selon notre unique discrétion, cela affecte sa condition ou son fonctionnement.

Certains états/provinces ne permettent pas de limitation de durée des garanties implicites ou tacites, aussi, la limitation ou les exclusions ci-dessus peuvent ne pas s'appliquer à vous. Bien que cette garantie vous confère des droits légaux spécifiques, vous pourriez avoir d'autres droits qui varient d'un état/province à l'autre.

Heatstar, Inc., se réserve le droit de faire des changements en tout temps, sans préavis ni obligation, dans les couleurs, les spécifications, les accessoires, les matériaux et les modèles

**ENREGISTREMENT DE VOTRE PRODUIT :** Nous vous remercions pour votre achat. Veuillez enregistrer votre produit à l'adresse suivante : <http://www.egiregistration.com>

Heatstar, INC., 4560 W. 160TH ST., CLEVELAND, OHIO 44135 • 1-866-447-2194

Heatstar est une marque déposée de Heatstar, Inc.

©Heatstar, 2020. Tous droits réservés.