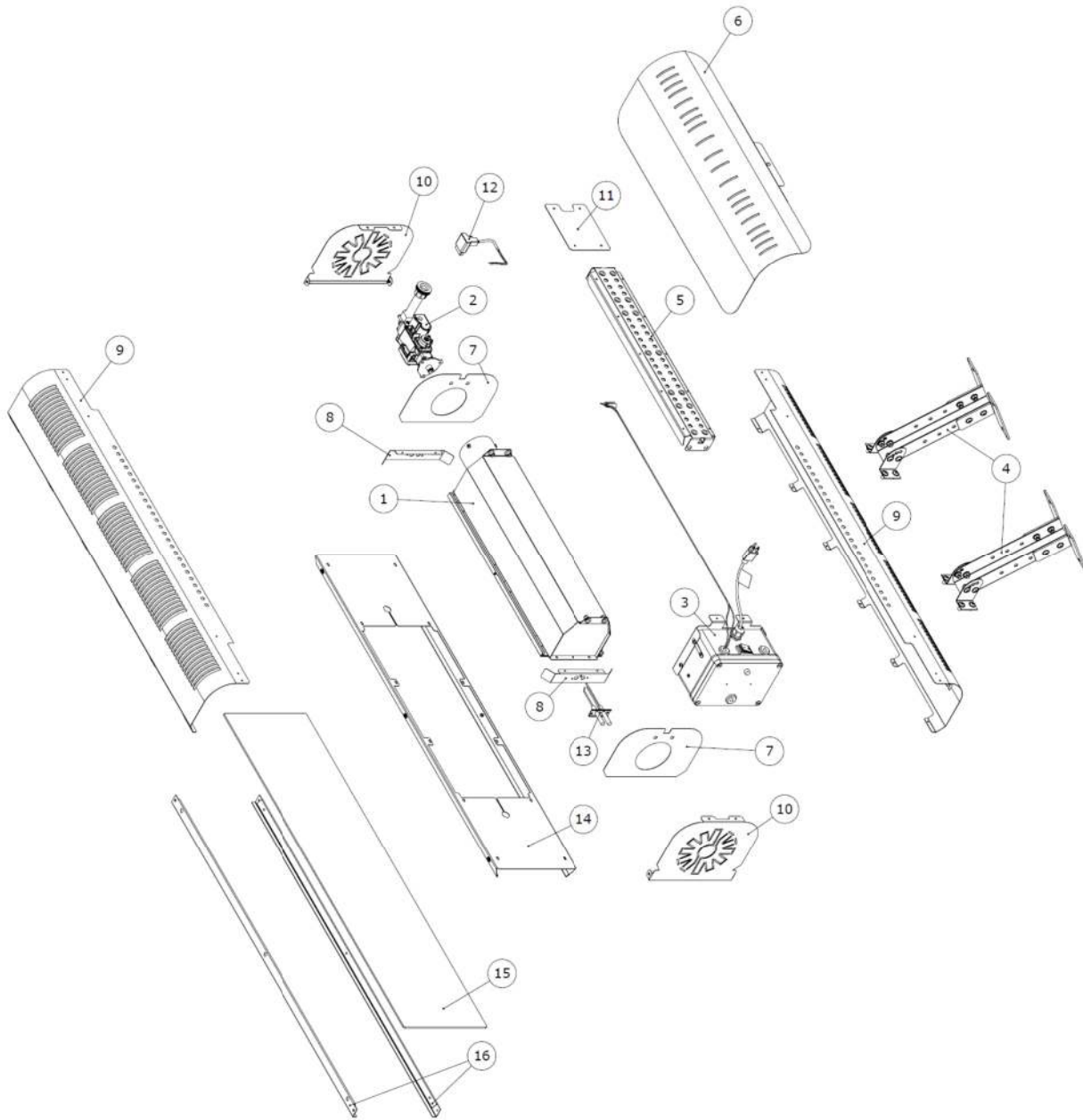


REPLACEMENT PARTS LIST FOR MODEL HSRP37GL

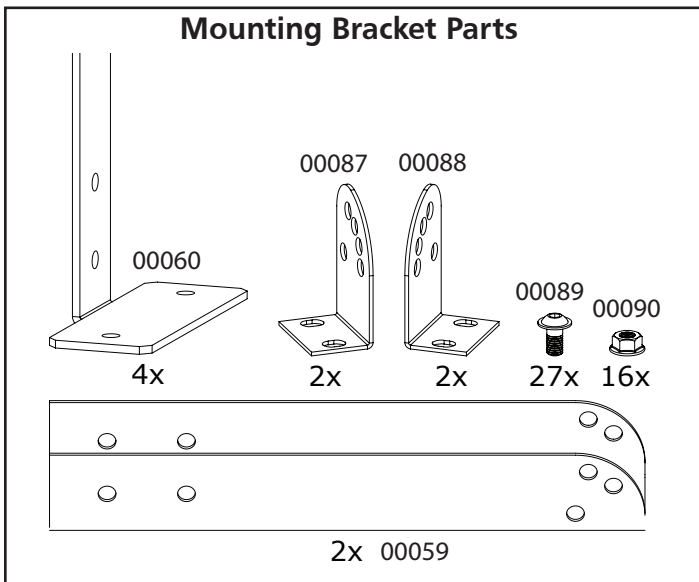
When ordering parts include the complete unit model number listed on the unit rating plate.



REPLACEMENT PARTS LIST FOR MODEL HSRP37GL
SEE BACK PAGE FOR PARTS ORDERING INFORMATION

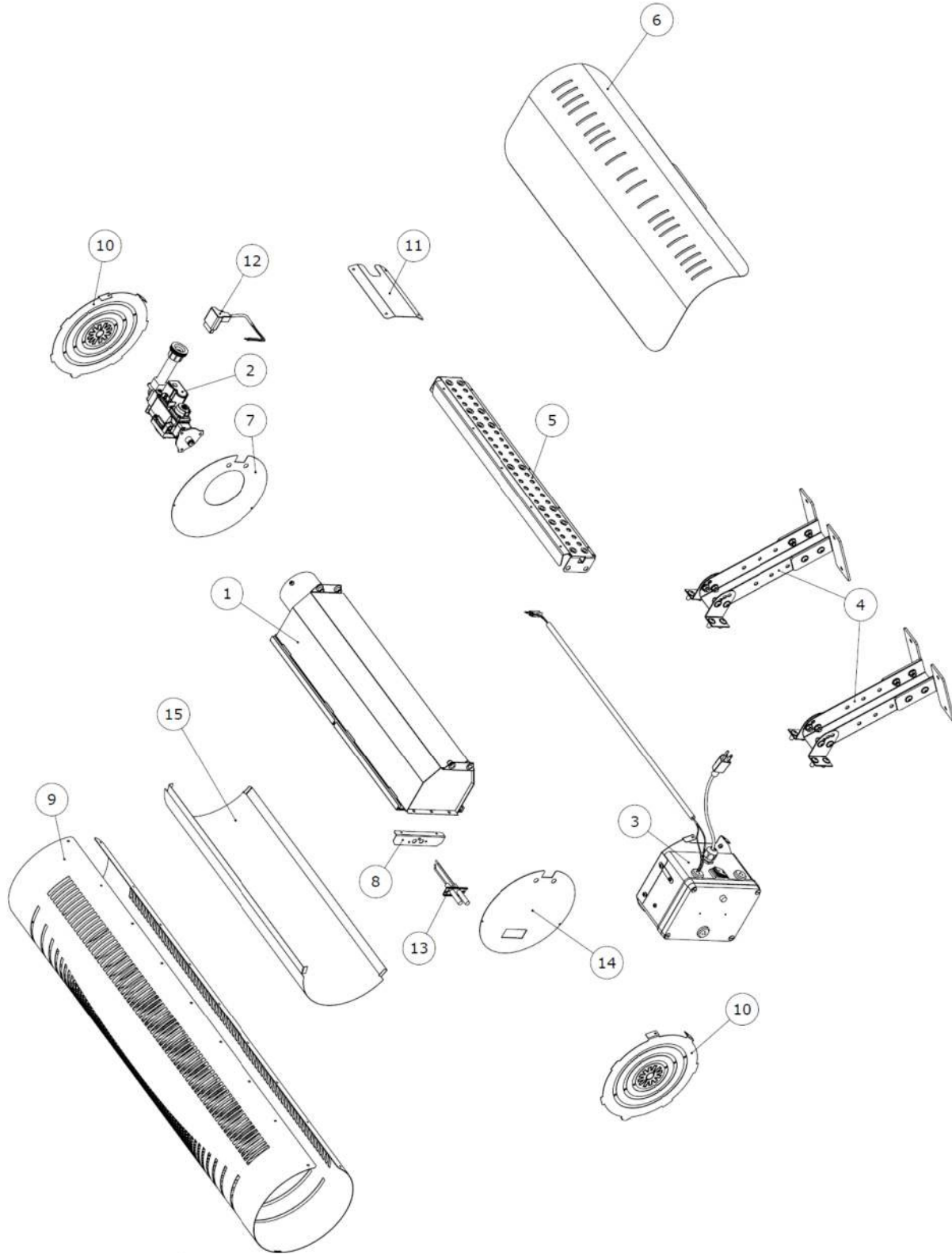
REF #	Description	Part#	QTY
1	CERAMIC TILE ASSEMBLY	00054	1
2	GAS VALVE	00065	1
3	PCB-TRANSFORMER	00086	1
4	MOUNTING BRACKET ASSEMBLY (SEE FIGURE BELOW)		
5	COMPLETE UPPER BRACKET	00068	1
6	SUPERIOR DEFLECTOR	00069	1
7	VALVE SIDE DIVIDER	00070	1
8	ELECTRODE BRACKET	00072	1
9	UPPER COVER	00073	2
10	SIDE COVER	00074	2
11	UPPER VALVE CLOSURE	00075	1
12	GAS VALVE CONNECTOR	00079	1
13	ELECTRODE	00080	1
14	INTERNAL DEFLECTOR	00081	1
15	GLASS	00082	1
16	GLASS STOPPER	00083	2
*	CONVERSION KIT	00053	1
*	INSTALLATION INSTRUCTION LABELS	00093	1

* NOT SHOWN



REPLACEMENT PARTS LIST FOR MODEL HSRP37MT

When ordering parts include the complete unit model number listed on the unit rating plate.



REPLACEMENT PARTS LIST FOR MODEL HSRP37MT
SEE BACK PAGE FOR PARTS ORDERING INFORMATION

REF #	Description	Part#	QTY
1	CERAMIC TILE ASSEMBLY	00054	1
2	GAS VALVE	00065	1
3	PCB-TRANSFORMER	00066	1
4	MOUNTING BRACKET ASSEMBLY (SEE FIGURE BELOW)		
5	COMPLETE UPPER BRACKET	00068	1
6	SUPERIOR DEFLECTOR	00069	1
7	VALVE SIDE DIVIDER	00071	1
8	ELECTRODE BRACKET	00072	1
9	METAL FRONT COVER	00076	1
10	SIDE COVER	00077	2
11	UPPER VALVE CLOSURE	00078	1
12	GAS VALVE CONNECTOR	00079	1
13	ELECTRODE	00080	1
14	ELECTRODE SIDE DIVIDER	00113	1
15	GRID	00112	1
*	CONVERSION KIT	00053	1
*	INSTALLATION INSTRUCTION LABELS	00093	1

* NOT SHOWN

