

HS45GSP TUBE HEATERS



HEATSTAR

EFFICIENT AND EFFECTIVE
LOW-INTENSITY INFRARED
RADIANT HEAT.



**Optional
Decorative
Grid**



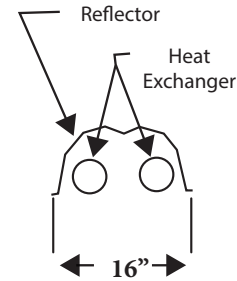
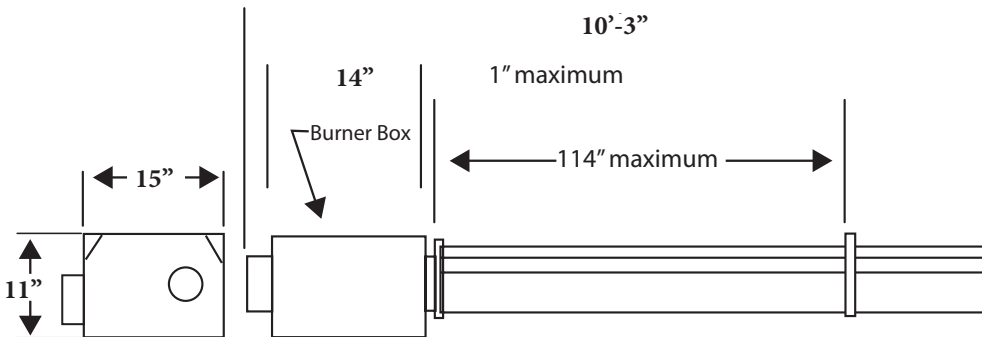
- 45,000 BTU/HR
- Compact 3" aluminized steel U-tube design
- Provides uniform heat distribution
- Polished aluminum deep-dish reflector
- Quiet operation
- Low clearance requirements
- Reliable direct spark ignition
- Burner and tube set in one box



- Residential Garages • Small Shops • Restaurant Decks & Patios
- Entranceways • Golf Driving Ranges • Farm Buildings • Ski Lodges
- Bus & Smoking Shelters • Green Houses

DESIGNED FOR INDOOR AND OUTDOOR USE.

FEATURES:



-Side View-

-End View-

EASY INSTALLATION

- Hang Burner/Tube/Reflector Assembly
- Run Gas, Electric And Vent
- Horizontal Or Angle Mount
- 10'-3" Overall Length
- Air Intake And Exhaust Collars Attached
- Total Weight: 91 lbs.

OPERATING FLEXIBILITY

- Commercial And Residential Approved
 - Indoor And Outdoor Approved
 - Limited 3-Year Warranty On Parts & Burner
 - Limited 10-Year Warranty On Tube

SPECIFICATIONS & TECHNICAL DATA

DATA	HS45GSP-NG	HS45GSP-LP
Stock Number	F102857	F102855
Input (BTU/HR)*	45,000	45,000
Fuel Type	Natural Gas	Propane
Electrical Rating	120VAC, 60Hz, single phase, 1 amp	120VAC, 60Hz single phase 1 amp
Electrical Connection	3 pin moulded plug	3 pin moulded plug
Gas Inlet Connection	1/2" female NPT	1/2" female NPT
Gas Inlet Pressure Minimum/Maximum	5.0" / 10.5" w.c.	11.0" / 13.5" w.c.
Manifold Pressure	4.0" w.c.	10.0" w.c.
Weight	91 lbs.	91 lbs.
Length	10'-3"	10'-3"

VENTING SPECIFICATIONS			
Length Minimum	Length Maximum	Intake Pipe (From Back)	Vent Pipe (From Side)
3'	25'	3.0" diameter	4.0" diameter

ACCESSORIES		
Stock #	Description	UPC
F102848	Vent Kit-Vertical - 4" (Galvanized)	0830102848-7
F102860	Vent Kit- Horizontal-4" (Stainless Steel)	08930102860-9
10371	24v Thermostat	856795001230
F102859	Decorative Grid Kit	089301003834
F102834	Install Kit (T-stat, Shut-Off Valve, Flex Connector, 1/2" Nipple)	089301028340

MOUNTING CLEARANCE TO COMBUSTIBLES					
Top	Bottom	Burner Side	Exhaust Side	Reflector End	Burner End
Horizontal					
6"	54"	24"	24"	6"	24"
Angle (Hung Burner Side UP)					
6"	36"	36"	6"	6"	24"

Ratings shown are for elevations up to 2,000 feet. (In Canada, refer to rating tag.) For elevations above 2,000 feet, ratings should be reduced at the rate of 4% for each 1,000 feet above sea level or as specified by local authority having jurisdiction.