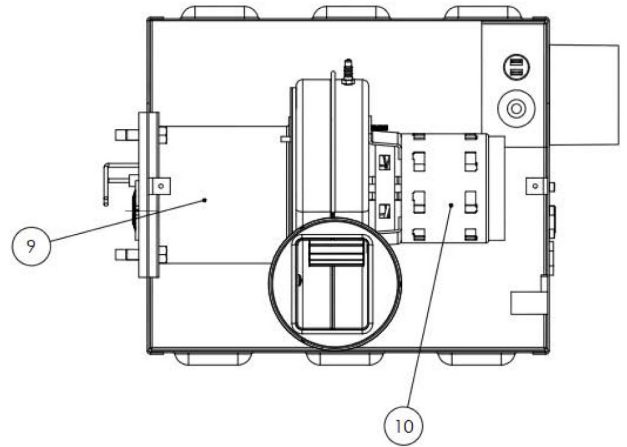
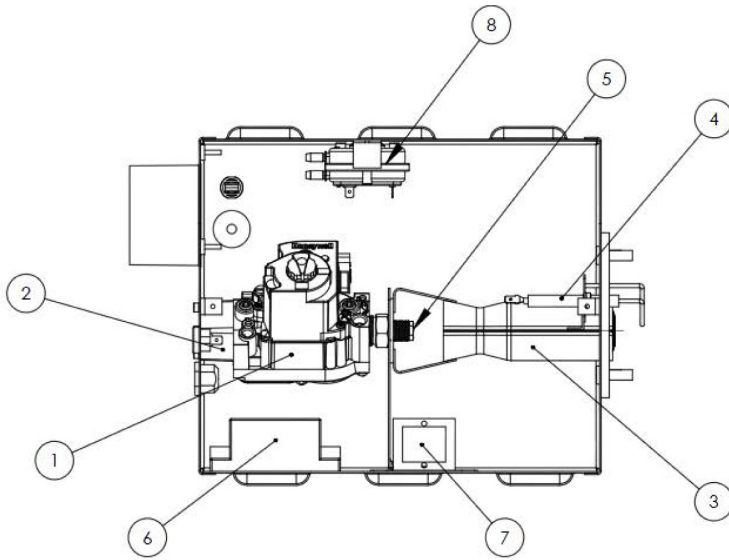


## ILLUSTRATED PARTS

This section provides the part numbers and pictorials for components of the GSP tube heater. Callout letters on the illustrations are keyed to the associated parts list.

ALL WARRANTY CLAIMS REQUIRE PROOF OF PURCHASE



#	P/N	PART DESCRIPTION	QTY
1	60128	NG GAS VALVE	1
	60129	LP GAS VALVE	
2	03808	GAS VALVE EXTENSION FLANGE	1
3	02590	VENTURI BURNER	1
4	60729	SPARK IGNITER	1
5	05795	NG ORIFICE	1
	05747	LP ORIFICE	
6	02970	IGNITION MODULE	1
7	08364A	TRANSFORMER	1
8	02822	PRESSURE SWITCH	1
9	02575	MOTOR ADAPTER	1
10	02579	BLOWER MOTOR	1

REF	ITEM	DESCRIPTION
A	02591	GSP45NG (burner Box for (F208850)
	02592	GSP45LP (burner Box for (F208851)
B	02598	GSP45 tube set
C	06014	Hanger
D	06016	Hanger Clamp
E	06008-9	GSP45 Reflector
F	06009	Reflector End Cap

