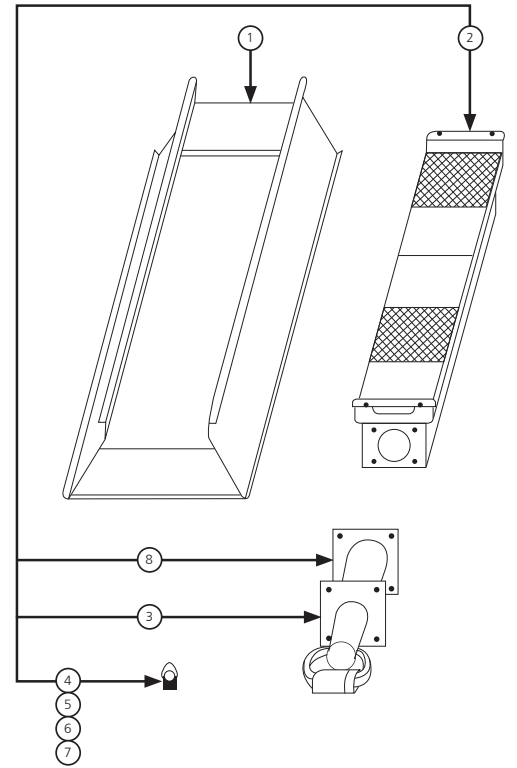


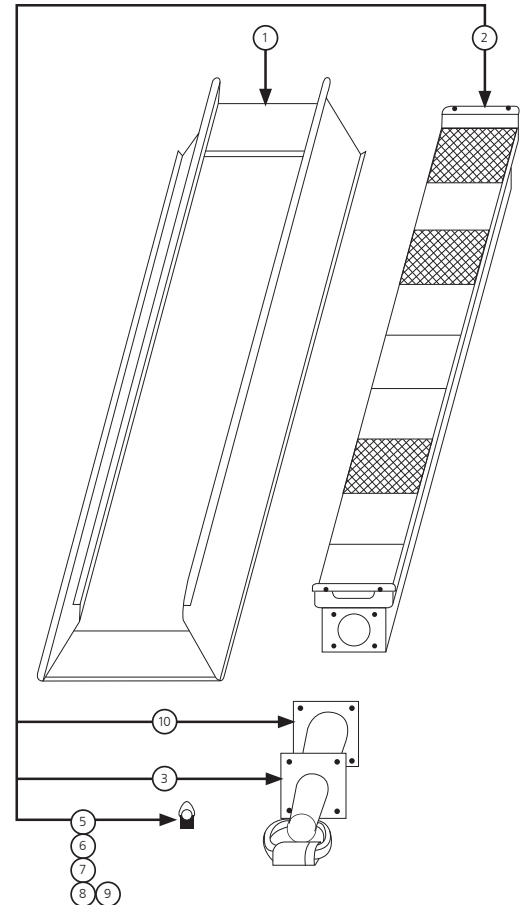
**Replacement Parts List For Heaters
4000 Series Models / Less Control**

Item No.	No. Req'd.	Stock No.	Description
1	1	00435A	Reflector Assembly
2	1	02523A	Burner Assembly
3	1	03397P	Venturi
4	1	05437	Burner Orifice N.G. 4040
5	1	05443	Burner Orifice N.G. 4030
6	1	05449	Burner Orifice L.P. 4040
7	1	05452	Burner Orif.L.P. 4030
8	1	12366	Gasket – Venturi
<p style="text-align: center;">4040 Nat. Gas — or ②</p> <p style="text-align: center;">① ③ ④ ⑧</p>			
<p style="text-align: center;">4030 Nat. Gas — or ②</p> <p style="text-align: center;">① ③ ⑤ ⑧</p>			
<p style="text-align: center;">4040 Propane — or ②</p> <p style="text-align: center;">① ③ ⑥ ⑧</p>			
<p style="text-align: center;">4030 Propane — or ②</p> <p style="text-align: center;">① ③ ⑦ ⑧</p>			



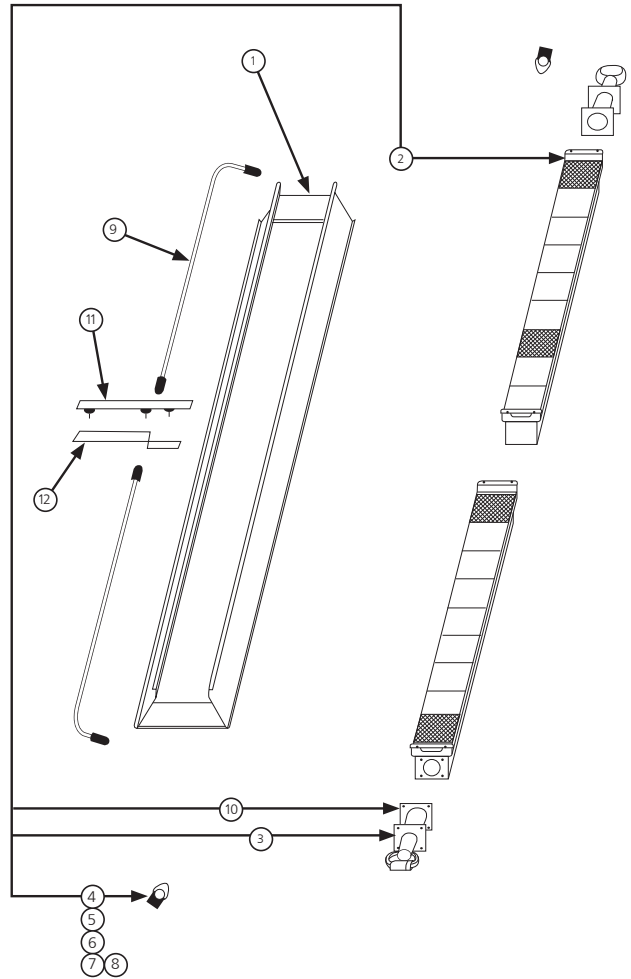
**Replacement Parts List For Heaters
8000 Series Models / Less Control**

Item No.	No. Req'd.	Stock No.	Description
1	1	00442A	Reflector Assembly
2	1	02524A	Burner Assembly
3	1	03421P	Venturi
4	1	05429	Orifice – Br. N.G. 8070
5	1	05430	Orifice – Br. N.G. 8060
6	1	05430	Orifice – Br. N.G. 8050
7	1	05443	Orifice – Br. L.P. 8060
8	1	05445	Orifice – Br. L.P. 8050
9	1	12366	Gasket – Venturi
<p style="text-align: center;">8070 Nat. Gas — or ②</p> <p style="text-align: center;">① ③ ④ ⑨</p>			
<p style="text-align: center;">8060 Nat. Gas — or ②</p> <p style="text-align: center;">① ③ ⑤ ⑨</p>			
<p style="text-align: center;">8050 Nat. Gas — or ②</p> <p style="text-align: center;">① ③ ⑥ ⑨</p>			
<p style="text-align: center;">8060 Propane — or ②</p> <p style="text-align: center;">① ③ ⑦ ⑨</p>			
<p style="text-align: center;">8050 Propane — or ②</p> <p style="text-align: center;">① ③ ⑧ ⑨</p>			



**Replacement Parts List For Heaters
9000 Series Models / Less Control**

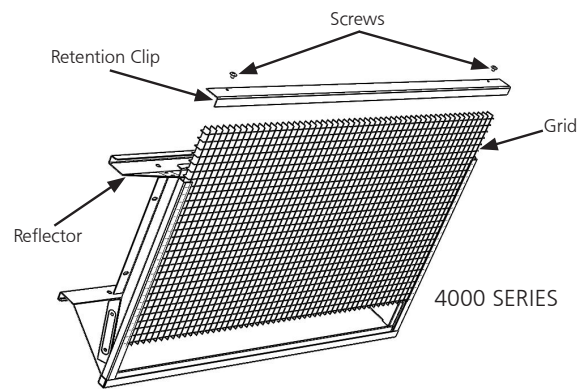
Item No.	No. Req'd.	Stock No.	Description
1	1	00444A	Reflector Assembly
2	2	02694	Burner Assembly
3	2	03421P	Venturi
4	2	05429	Orifice – Br. N.G. 9140
5	2	05430	Orifice – Br. N.G. 9120
6	2	05430	Orifice – Br. N.G. 9100
7	2	05443	Orifice – Br. L.P. 9120
8	2	05445	Orifice – Br. L.P. 9100
9	2	06396	Manifold Assembly
10	2	12366	Gasket – Venturi
11	1	14639	Center Saddle Bracket
12	1	11381	Center Support Ass'y
<p>9140 Nat. Gas or 2</p> <p>① — ③ — ④ — ⑨ — ⑩ — ⑪ — ⑫</p>			
<p>9120 Nat. Gas or 2</p> <p>① — ③ — ⑦ — ⑨ — ⑩ — ⑪ — ⑫</p>			
<p>9100 Nat. Gas or 2</p> <p>① — ③ — ⑥ — ⑨ — ⑩ — ⑪ — ⑫</p>			
<p>9120 Propane or 2</p> <p>① — ③ — ⑦ — ⑨ — ⑩ — ⑪ — ⑫</p>			
<p>9100 Propane or 2</p> <p>① — ③ — ⑧ — ⑨ — ⑩ — ⑪ — ⑫</p>			



**Replacement Parts for Retro Grid Kits
4000 Series Models and 8000 Series Models ONLY**

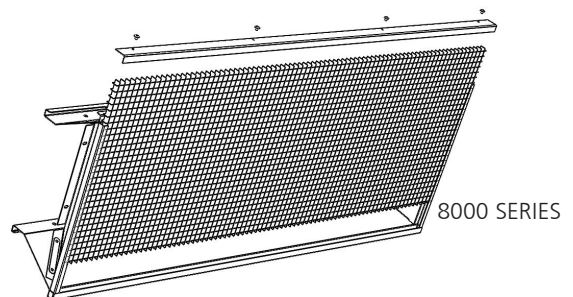
4000 Series Models

F104440	GRID KIT	Grid, Screws, Retention Clip
F104441	RETRO GRID KIT	Reflector, Grid, Screws, Retention Clip, Rate Tag



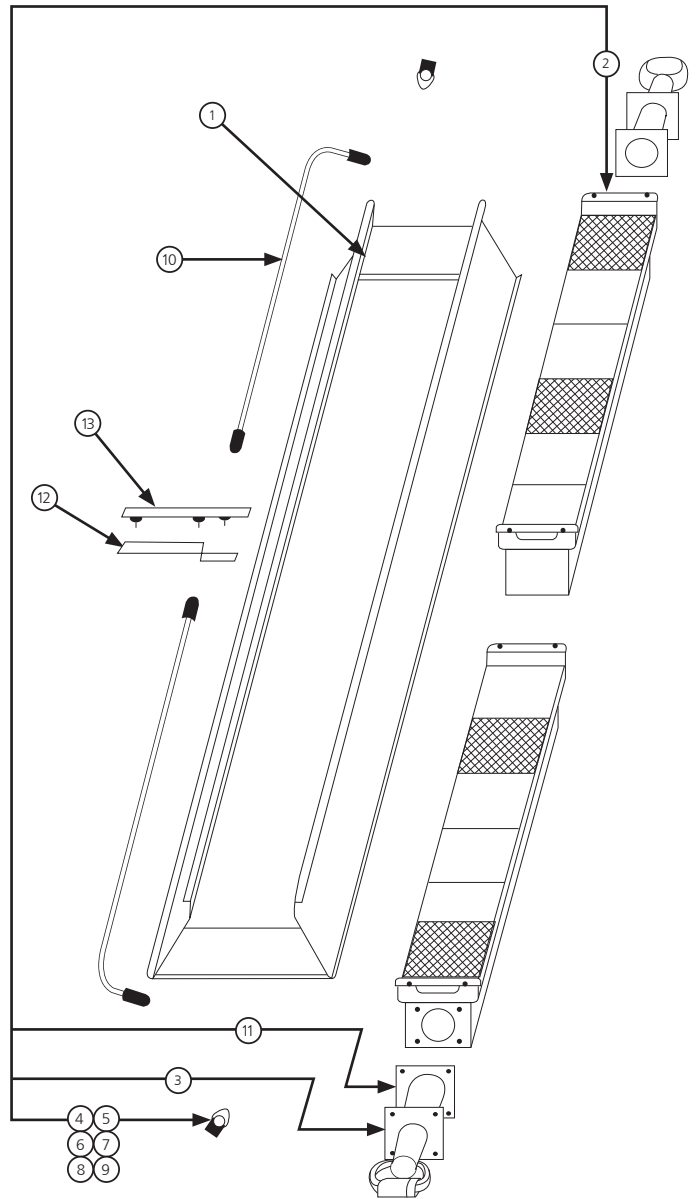
8000 Series Models

F104445	GRID KIT	Grid, Screws, Retention Clip
F104446	RETRO GRID KIT	Reflector, Grid, Screws, Retention Clip, Rate Tag



Replacement Parts List For Heaters
9100S Series Models / Less Control

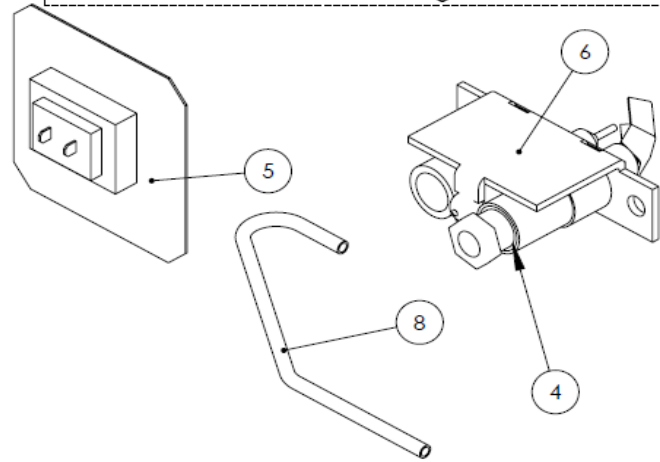
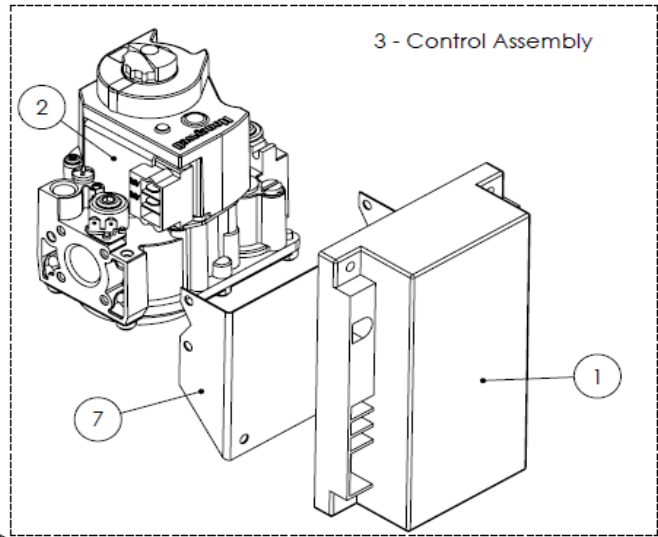
Item No.	No. Req'd.	Stock No.	Description				
1	1	00443A	Reflector Assembly				
2	2	02508A	Burner Assembly				
3	2	03421P	Venturi				
4	2	05431	Orifice – Br. N.G. 9100S				
5	2	05432	Orifice – Br. N.G. 9090				
6	2	05437	Orifice – Br. N.G. 9080				
7	2	05446	Orifice – Br. L.P. 9100S				
8	2	05447	Orifice – Br. L.P. 9090				
9	2	05449	Orifice – Br. L.P. 9080				
10	2	06398	Manifold Assembly				
11	2	12366	Gasket – Venturi				
12	1	14639	Center Saddle Bracket				
13	1	11381	Center Support Assembly				
9100S Nat. Gas							
1	3	4	10	11	12	13	or 2
9090 Nat. Gas							
1	3	5	10	11	12	13	or 2
9080 Nat. Gas							
1	3	6	10	11	12	13	or 2
9100S Propane							
1	3	7	10	13	12	13	or 2
9090 Propane							
1	3	8	10	13	12	13	or 2
9080 Propane							
1	3	9	10	13	12	13	or 2



HEATSTAR SERIES 4000SP , 8000SP (NG)

REPLACEMENT PARTS LIST FOR CONTROL SYSTEM SUFFIX SPARK MODELS

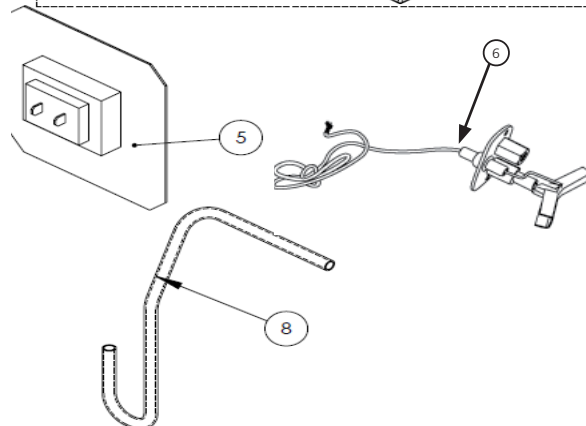
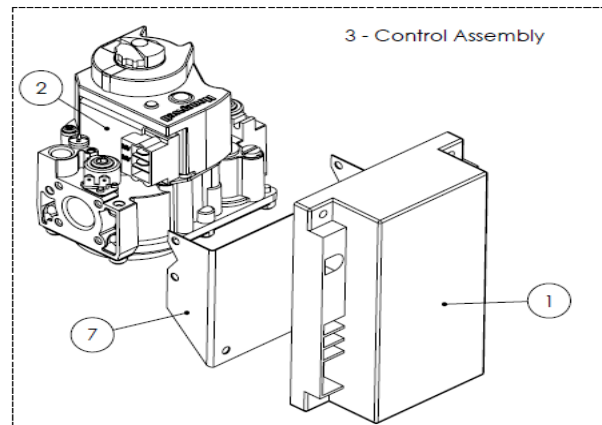
ITEM NO.	NO. REQ'D	STOCK NO.	DESCRIPTION
1	1	00063	IGNITION MODULE, FENWAL
2	1	00037	GAS VALVE - NG
3	1	00236	CONTROL ASSY. NG
4	1	05573	ORIFICE PILOT NG.
5	1	08353	TRANSFORMER 40VA
6	1	11403	PILOT BURNER ASSY.
7	1	14619	MOUNTING BRACKET
8	1	16437	PILOT TUBE W/FITTINGS



HEATSTAR SERIES 9000SP, 9000SSP (NG)

REPLACEMENT PARTS LIST FOR CONTROL SYSTEM SUFFIX SPARK MODELS

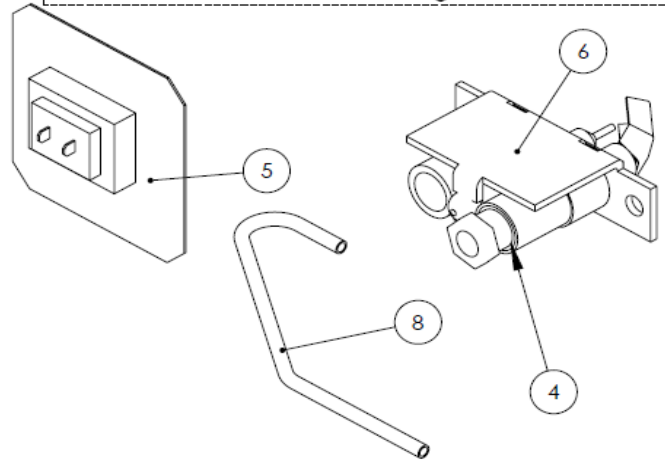
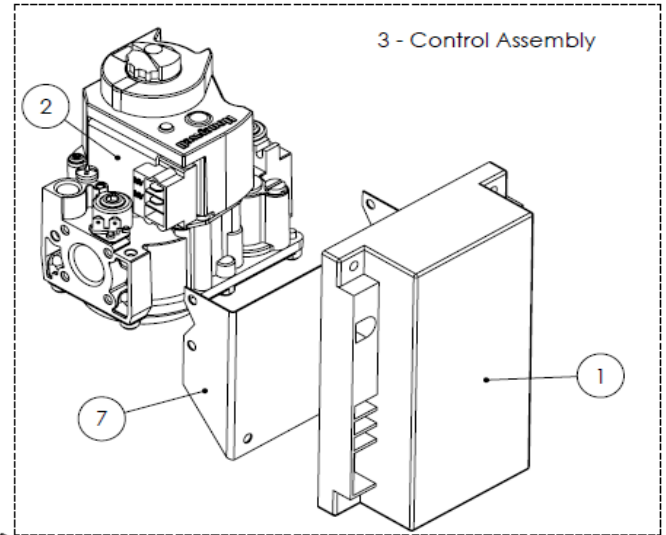
ITEM NO.	NO. REQ'D	STOCK NO.	DESCRIPTION
1	1	00063	IGNITION MODULE, FENWAL
2	1	00037	GAS VALVE - NG
3	1	00236	CONTROL ASSY. NG
4	1	05383	ORIFICE PILOT - NG
5	1	08353	TRANSFORMER 40VA
6	1	11385	PILOT BURNER ASSY.
7	1	14619	MOUNTING BRACKET
8	1	16453	PILOT TUBE W/FITTINGS



HEATSTAR SERIES 4000SP, 8000SP (LP)

REPLACEMENT PARTS LIST FOR CONTROL SYSTEM SUFFIX SP

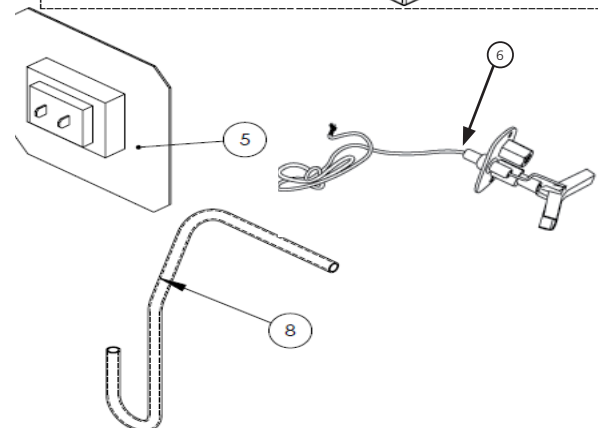
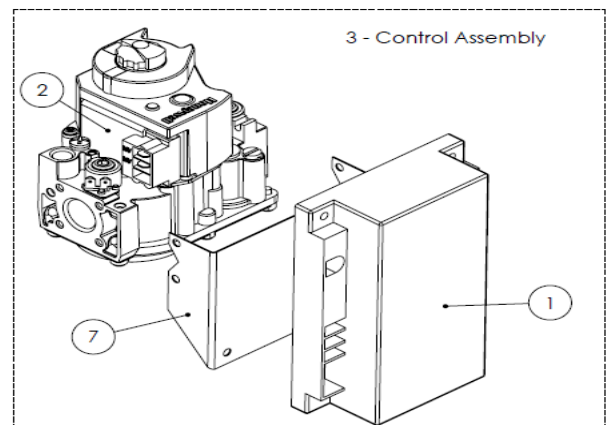
ITEM NO.	NO. REQ'D	STOCK NO.	DESCRIPTION
1	1	00063	IGNITION MODULE, FENWAL
2	1	00036	GAS VALVE - LP
3	1	00336	CONTROL ASSY. LP
4	1	05577	ORIFICE PILOT – LP
5	1	08353	TRANSFORMER 40VA
6	1	11407	PILOT BURNER ASSY.
7	1	14619	MOUNTING BRACKET
8	1	16437	PILOT TUBE W/FITTINGS



HEATSTAR SERIES 9000SP, 9000S (LP)

REPLACEMENT PARTS LIST FOR CONTROL SYSTEM SUFFIX SP

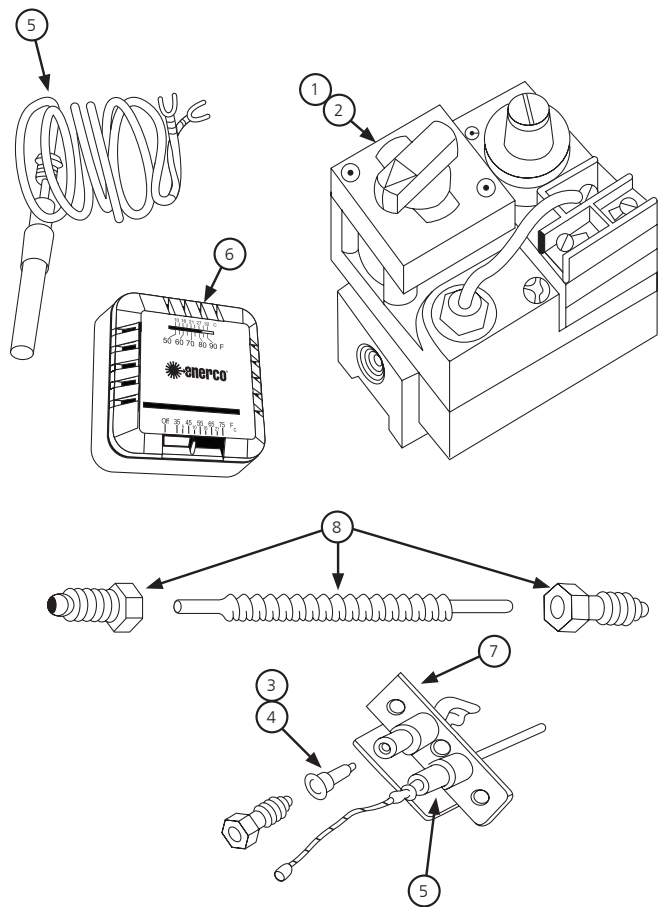
ITEM NO.	NO. REQ'D	STOCK NO.	DESCRIPTION
1	1	00063	IGNITION MODULE, FENWAL
2	1	00036	GAS VALVE - LP
3	1	00336	CONTROL ASSY. LP
4	1	05384	ORIFICE PILOT – LP
5	1	08353	TRANSFORMER 40VA
6	1	11385	PILOT BURNER ASSY.
7	1	14619	MOUNTING BRACKET
8	1	16453	PILOT TUBE W/FITTINGS



FOR HEATSTAR SERIES 4000, 8000

**REPLACEMENT PARTS LIST FOR
CONTROL SYSTEM SUFFIX PP(NG) & PP(LP)**

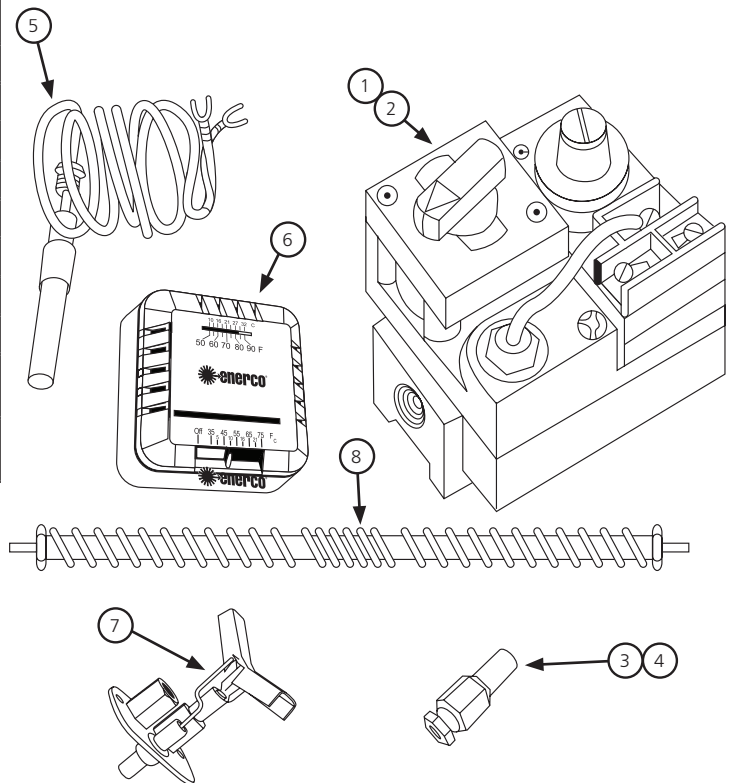
ITEM NO.	NO. REQ'D	STOCK NO.	DESCRIPTION
1	1	00024	GAS VALVE - NG
2	1	00025	GAS VALVE - LP
3	1	05577	ORIFICE PILOT LP
4	1	05573	ORIFICE PILOT NG
5	1	09360	THERMOCOUPLE PP HONEYWELL
6	1	10367	THERMOSTAT "PP" HEAT STAR
7	1	11405	PILOT-PP-4K, 8K HTR NG
7	1	11408	PILOT-PP-4K, 8K HTR LP
8	1	16433	PILOT TUBE WITH FITTINGS
			PPNG (1) (4) (5) (6) (7) (8)
			PPLP (2) (3) (5) (6) (7) (8)



OR HEATSTAR SERIES 9000, 9000S

**REPLACEMENT PARTS LIST FOR
CONTROL SYSTEM SUFFIX PP(NG) & PP(LP)**

ITEM NO.	NO. REQ'D	STOCK NO.	DESCRIPTION
1	1	00024	GAS VALVE - NG
2	1	00025	GAS VALVE - LP
3	1	05384	ORIFICE PILOT LP
4	1	05383	ORIFICE PILOT NG
5	1	09360	THERMOCOUPLE PP HONEYWELL
6	1	10367	THERMOSTAT "PP" HEAT STAR
7	1	11385	PILOT BURNER-9000HTR
8	1	16454	PILOT TUBE WITH FITTINGS
			PPNG (1) (4) (5) (6) (7) (8)
			PPLP (2) (3) (5) (6) (7) (8)



NOTE: 1 – WHEN ORDERING SPARE PARTS ALWAYS GIVE HEATER MODEL NO., STOCK NO., SERIAL NO., AND TYPE OR GAS USED.

2 – WHEN DISASSEMBLING PARTS FROM HEATER FOR REPAIR, CAREFULLY NOTE ORIENTATION OF PARTS, AND THEN REVERSE PROCEDURE WHEN ASSEMBLING.