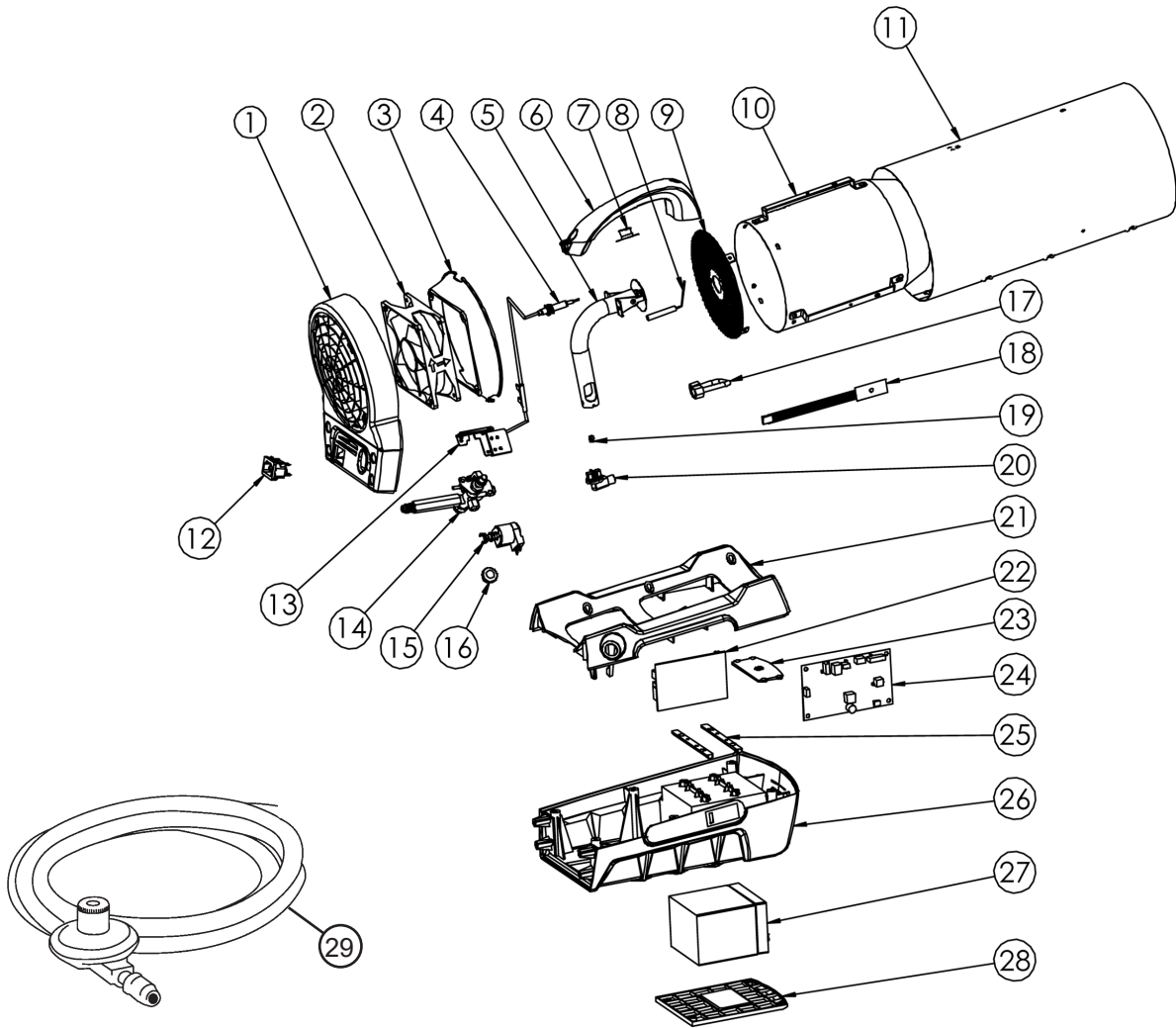


NEVER LEAVE THE HEATER UNATTENDED WHILE BURNING!

Forced Air Propane Construction Heater • Model #MH35CLP



REF.#	ITEM#	DESCRIPTION	QTY.	REF.#	ITEM#	DESCRIPTION	QTY.
1	27923	guard, rear, plastic	1	18	27930	board, led, off, switch, 35k	1
2	27943	fan, brushless, dc, 35k	1	19	27940	orifice, obe, 35k	1
3	72811	cone, air, restraint, steel, 35k	1	20	27939	holder, orifice	1
4	27933	thermocouple, assy	1	21	27921	base, upper, plastic, 35k	1
5	72818	burner, assy, main, 35k, 38k	1	22	28806	board, power, supply, clp	1
6	27925	handle, carry, plastic	1	23	27960	cover, battery	1
7	27935	switch, high, limit	1	24	27918	board, control, main, clp	1
8	27951	electrode, ignition	1	25	27959	brkt, plastic, board, mount	2
9	72815	holder, flame, assy, 35k	1	26	27922	base, lower, plastic, 35k	1
10	27944	shield, radiation, assy, 35k	1	27	27927	battery, 35k	1
11	27948	barrel, assy, obe, 35k	1	28	27924	door, battery, 35k	1
12	27931	receptacle, power, supply	1	29	27956	hose and regulator	1
13	27950	bracket, valve, 35k	1	*	27953	power supply cord	1
14	72804	valve, gas, assy, 35k, 38k	1	*	27954	battery connection wiring harness	1
15	28843	solenoid, valve, lockout	1	*	27926	button, Piezo, orange	1
16	27926	knob, valve	1				
17	27955	tubing, gas, burner, inlet, assy, 35k	1				

* Not shown on exploded parts view.