

**PARTS LIST**

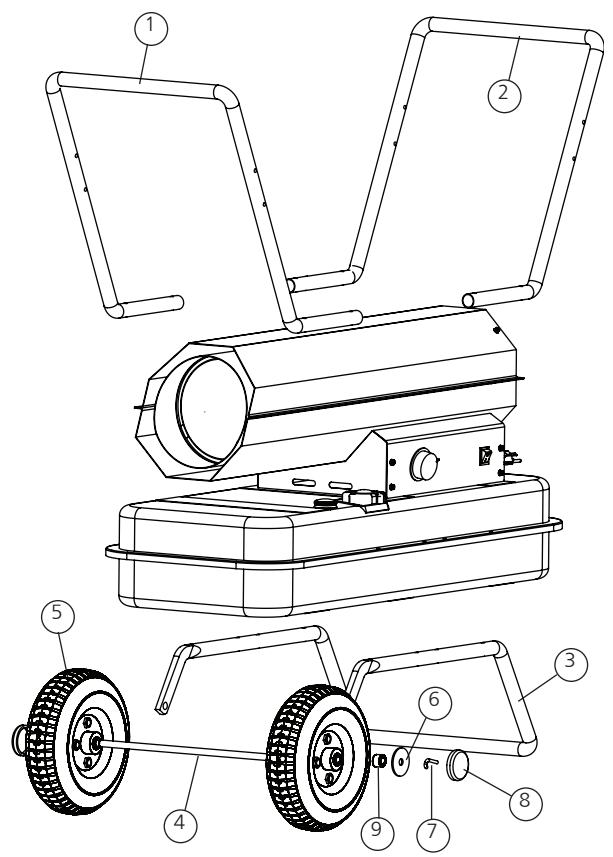
Ref.	Item #	Item #	Item #	Item #	Item #	Description
HS50K HS75KT HS125KT HS175KT HS210KT						
1	21036	21036	21036	21036	21036	Power Cord
2	21676	22213	22214	22214	22214	Fuel Tank Assembly
3	****	****	22216	21783	22099	Radiation Shield Ass'y
4	21807	26967	26975	26975	26975	Power Pac Ass'y
*	21818	21818	21818	21818	21818	Motor
5	21686	24343	24346	24346	24346	Fuel Tube
6	21685	28734	21771	21768	21771	Grille Assembly
7	24011	24011	24011	24011	24011	Oil cad cell Bracket
8	28779	28779	28780	28780	28780	Fuel Filter
10	21050	21075	21125	21175	22127	Bottom Shell
11	22050	22075	22125	22175	22102	Top Shell
12	23704	24332	24333	22334	24333	Motor Mounting Brkt
13	****	28788	28735	28735	28735	Start Capacitor
14	23725	23725	24345	24345	24345	Air Tube
15	26225	26225	26225	26225	26225	Snap Bushing
16	21794	21794	26901	22105	22105	High Limit Control
17	F226831	F226831	F226831	F226831	F226831	Kit, Rotor - Air Pump Rotor w/Vanes - Nylon Air Pump Insert
21	****	****	22257	22257	22257	Burner Head Ass'y
22	F221887	F221887	F221887	F221887	F221887	Kit, Filter
23	21813	21813	21813	21813	21813	Gasket, Outlet Filter
24	21814	21814	21814	21814	21814	Outlet Filter
25	21815	21815	21815	21815	21815	Inlet Filter
26	F266842	F266842	F266842	F266842	F266842	Kit, Pump Adjustment - Nylon Pipe Plug - Pump Adj. Screw Cap - Ball, Pressure adj. - Spring, Pressure adj.
27	21866	21866	21866	21866	21866	Flame Control Ass'y
28	21816	21816	21816	21816	21816	Flame Control Bracket
29	F226865	F226865	F226865	F226865	F226865	cad cell Flame Sensor
30	22215	22215	22233	22234	22107	Comb.Chamber Cyl. Ass'y

Ref.	Item #	Item #	Item #	Item #	Item #	Description
HS50K HS75KT HS125KT HS175KT HS210KT						
31	26959	26959	26959	26959	26959	Fuel Cap
32	26910	26910	26910	26910	26910	Fuel Cap Gasket
34	27790	27790	28739	28739	28739	Nozzle Adapter
35	27421	28740	26885	26866	26866	Fan
36	22142	22142	22142	22142	22142	Igniter Assembly
37	F227416	F221878	F221879	F221889	F221891	Fuel Air Aspir. Nozzle
38	26223	26223	26223	26223	26223	Strain Relief Bushing
39	F221857	F221857	F221857	F221857	F221857	Electrode Assembly
40	21820	21820	21820	21820	21820	Electrode Insulated Cover
42	****	21823	21823	21823	21823	Thermostat Knob
43	****	21734	21734	21734	21734	Thermostat Assembly
44	21872	21872	21872	21872	21872	ON/OFF Switch
45	****	28791	28778	28778	28778	Fuel Gauge
46	21829	21889	21825	21825	21825	Control Panel
47	26887	26887	26888	26888	26888	Control Panel Back
48	27094	27094	****	****	****	Clip Hanle Mtg.
49	27095	27095	****	****	****	Handle
*	24171	24171	****	****	****	Nozzle mtg. plate
*			26227	26227	26227	Snap Bushing
*	27429	27429	27429	27429	27429	Nozzle Extrnl. Retaining Ring
*	28745	28745	****	****	****	Fuel Line Bushing
*	****	22146	22146	22146	22146	Bracket Thermostat Mtg.
*	****	26070	26070	26070	26070	Clamp Loop
*	Not shown in the drawing					

**PARTS LIST**

Ref.	Item #	Item #	Item #	Description
HS125KT HS175KT HS210KT				
1	21873	21873	21873	Handle, Front
2	21874	21874	21874	Handle, Rear
3	21875	21875	21875	Wheel Support Frame
4	22191	22191	22191	Axle
5	40981	40981	40981	Wheel Ass'y
6	28749	28749	28749	Large Retainer Washer
7	28750	28750	28750	Cotter Pin
8	28751	28751	28751	Hub Cap
9	21897	21897	21897	Wheel Spacer
*	28787	28787	28787	Hardware Kit

Handle and wheel assembly for HS125KT, HS175KT & HS210KT only.



\* Not shown in drawing

Figure 1.

**NEVER LEAVE THE HEATER UNATTENDED WHILE BURNING!**

Kerosene Forced Air Heater • Model HS50K, HS75KT, HS125KT, HS175KT, HS210KT

