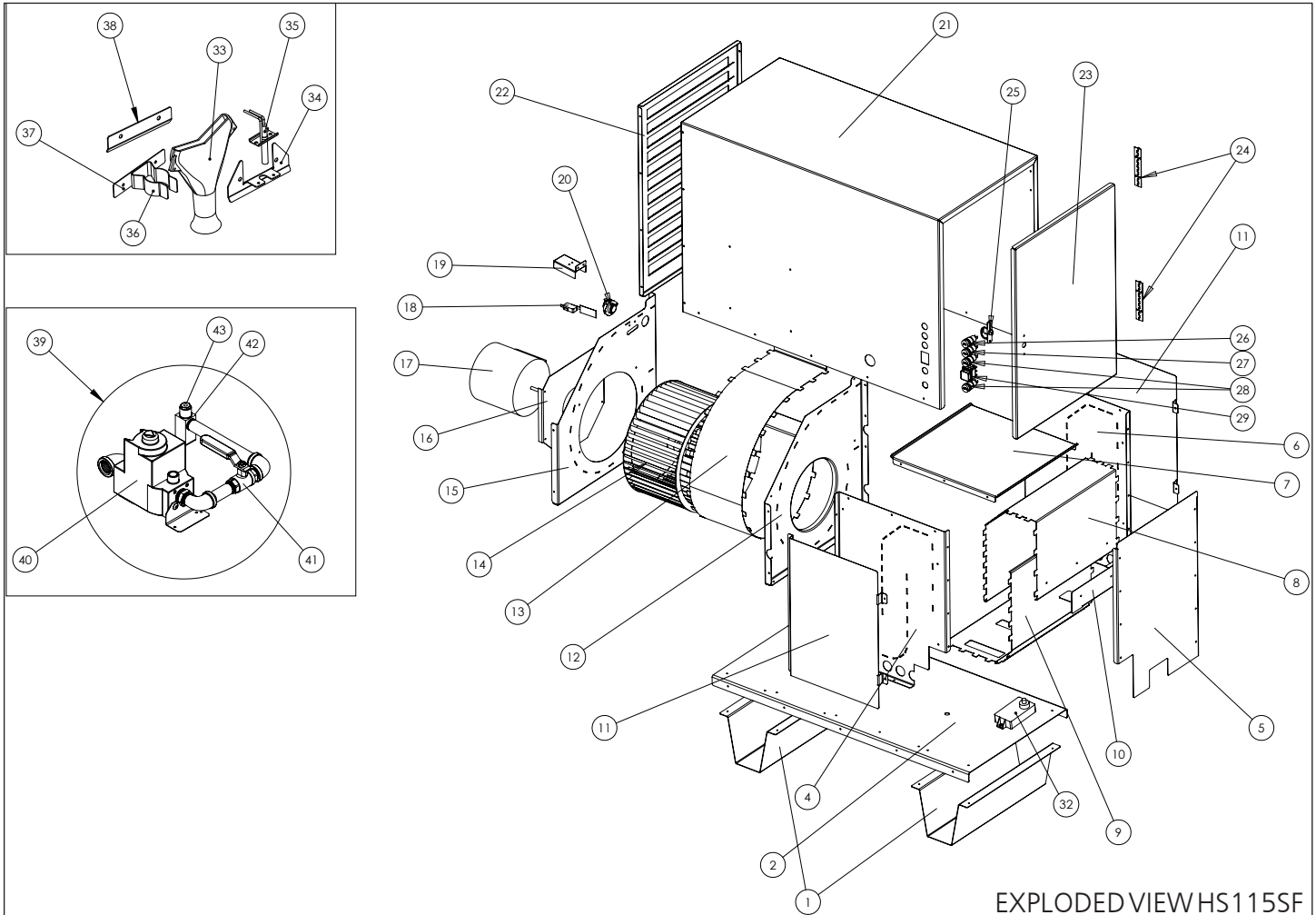


NEVER LEAVE THE HEATER UNATTENDED WHILE BURNING!

#	P/N	PART DESCRIPTION	QTY	#	P/N	PART DESCRIPTION	QTY
1	60801	HEATER FOOT	2	24	60837	DOOR HINGE	1
2	60800	HEATER BASE	1	25	60839	D-RING LATCH/LOCK	1
4	60818	COMBUSTION CHAMBER -RIGHT	1	26	60847	24V RED LED LAMP - FAULT INDICATOR	1
5	60820	COMBUSTION CHAMBER -BACK	1	27	60846	24V GREEN LED LAMP - GAS VALVE ON INDICATOR	1
6	60817	COMBUSTION CHAMBER -LEFT	1	28	60845	120V LED LAMP - GREEN	2
7	60819	COMBUSTION CHAMBER -TOP	1	29	60841	MAIN POWER ROCKER SWITCH	1
8	60822	COMBUSTION CHAMBER -UPPER FLANGE	1	32	27808	FLAME CONTROL BOARD	1
9	60821	COMBUSTION CHAMBER -LOWER FLANGE	1	33	60810	115 BURNER	1
10	60823	LOWER BURNER COVER	1	34	60827	115 IGNITER BURNER PLATE-FRONT	1
11	60824	COMBUSTION CHAMBER - HEAT SHIELD	2	35	60729	IGNITER/FLAME SENSE ASSY.	1
12	60813	INSIDE BLOWER PANEL	1	36	60831	115 BURNER R CLAMP	1
13	60815	BLOWER TUBE	1	37	60832	115 BURNER CLAMP BASE	1
14	60816	115 BLOWER WHEEL	1	38	60826	115 IGNITER BURNER PLATE-BLACK	1
15	60812	OUTSIDE BLOWER PANEL	1	39	00620	GAS TRAIN ASSY, HS115SF	1
16	60814	MOTOR MOUNTING PLATE	1	40	60129	GAS VALVE	1
17	60843	115 MOTOR - 1/3HP	1	41	60784	SECONDARY ORIFICE/VALVE, HS115SF	1
18	00613	SAIL SWITCH	1	42	60809	ORIFICE HOLDER	1
19	00613	SAIL SWITCH BRACKET	1	43	60781	MAIN ORIFICE, HS115SF	1
20	60958	HIGH LIMIT SWITCH	1	**	60969	HOSE,ASSY,NOMAD,15',1/2"MP,1/2"FF	1
21	60833	HEATER COVER	1	**	00617	REGULATOR W/ POL	1
22	60835	MOTOR DOOR	1	**	00618	THERMOSTAT ASSEMBLY W/ CORD	1
23	60834	CONTROLS DOOR	1				

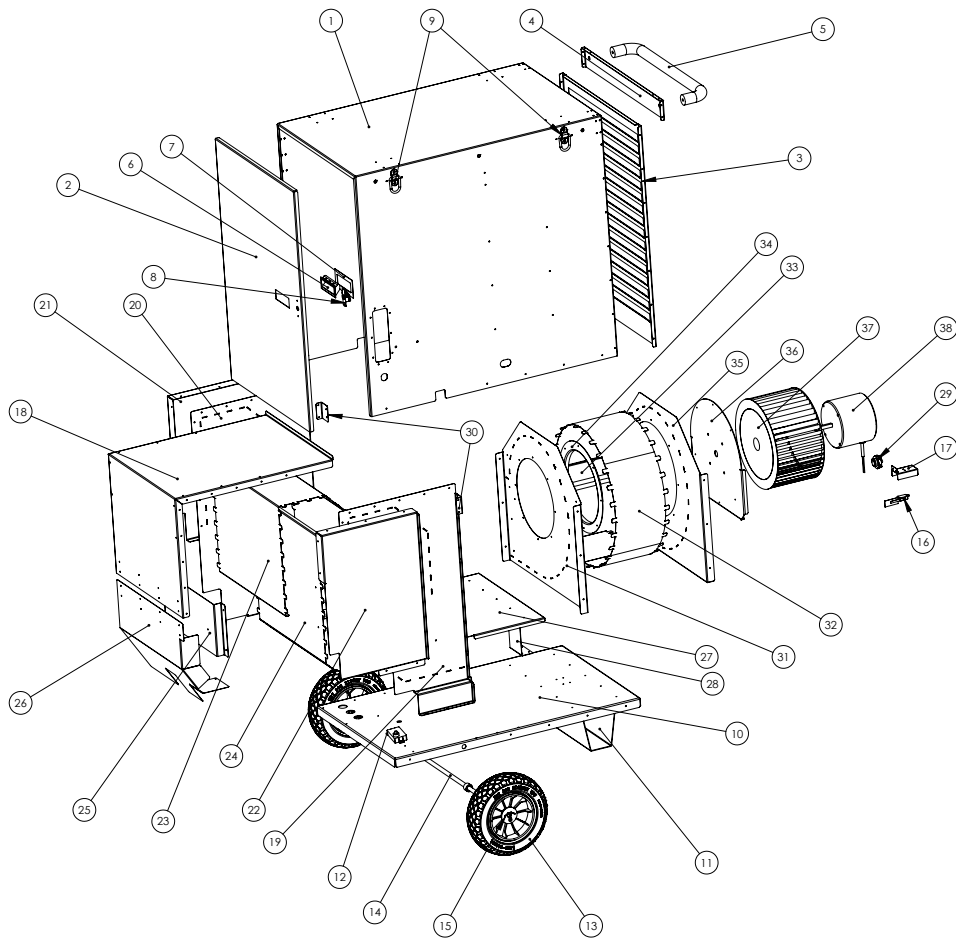
** NOT SHOWN



NEVER LEAVE THE HEATER UNATTENDED WHILE BURNING!

#	P/N	PART DESCRIPTION	QTY	#	P/N	PART DESCRIPTION	QTY
1	60973	190 COVER	1	23	60892	COMBUSTION CHAMBER-TOP FLANGE	1
2	60904	ELECTRICAL DOOR	1	24	60893	COMBUSTION CHAMBER-BOTTOM FLANGE	1
3	60905	MOTOR DOOR	1	25	60925	BURNER STAND-OFF	1
4	60906	FIXED PIECE HANDLE MOUNT	1	26	60885	COMBUSTION CHAMBER-LOWER HEAT SHIELD	1
5	60908	HANDLE	1	27	60974	BLOWER SHELF	1
6	60916	DOOR HANDLE	1	28	60975	BLOWER SHELF SUPPORT	1
7	60913	DOOR HANDLE SPACER	1	29	60899	HIGH LIMIT SWITCH	1
8	60917	DOOR LATCH	1	30	60894	COMBUSTION CHAMBER SUPPORT	2
9	60915	HOIST RINGS	4	31	60977	HOUSING RIGHT SIDE	1
10	60884	BASE	1	32	60978	BLOWER TUBE	1
11	60901	BASE FOOT	1	33	60981	HOUSING DEFLECTOR ATTACHMENT	1
12	27808	FLAME CONTROL BOARD	1	34	60980	HOUSING INLET ADAPTER	1
13	40940	WHEEL	2	35	60976	HOUSING LEFT SIDE	1
14	60902	AXEL	1	36	60979	MOTOR MOUNT	1
15	28787	WHEEL HARDWARE KIT	1	37	60998	190 BLOWER WHEEL	1
16	60851	SAIL SWITCH	1	38	60971	1/2HP MOTOR, 190	1
17	60938	SAIL SWITCH BRACKET	1	**	60928	IGNITER BURNER PLATE-FRONT, HS190SF/HS250SF	1
18	60922	COMBUSTION CHAMBER-TOP	1	**	60729	IGNITER/FLAME SENSE ASSY	1
19	60891	COMBUSTION CHAMBER-LEFT	1	**	60969	HOSE, ASSY, NOMAD, 15', 1/2"MP - 1/2"FF	1
20	60890	COMBUSTION CHAMBER-RIGHT	1	**	00617	REGULATOR W/ POL	1
21	60923	COMBUSTION CHAMBER-RIGHT HEAT SHIELD	1	**	00618	THERMOSTAT ASSEMBLY W/ CORD	1
22	90924	COMBUSTION CHAMBER-LEFT HEAT SHIELD	1				

** NOT SHOWN



EXPLODED VIEW HS190SF