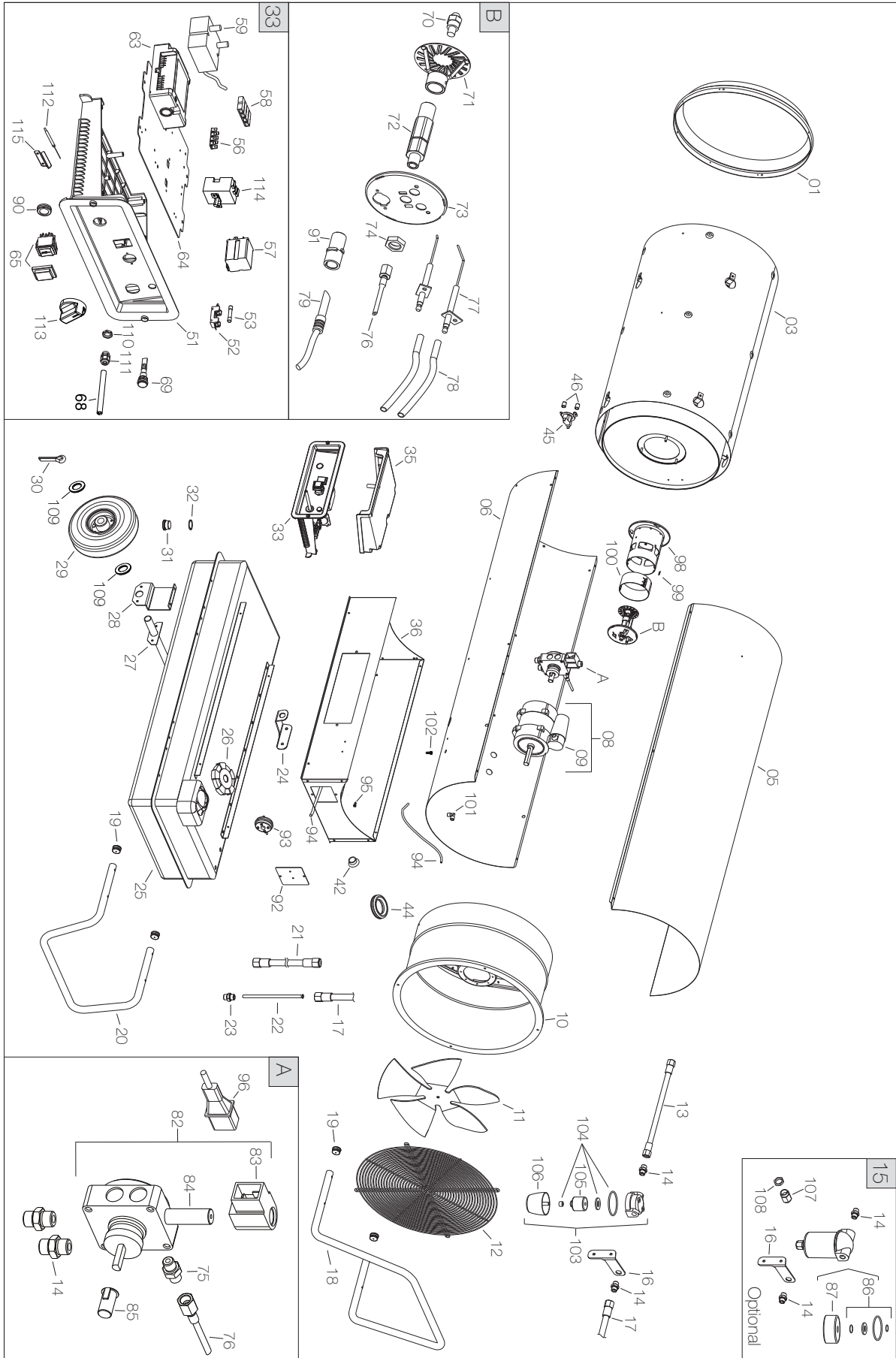


NEVER LEAVE THE HEATER UNATTENDED WHILE BURNING!

3500DF Series Direct-Fired Portable Heater



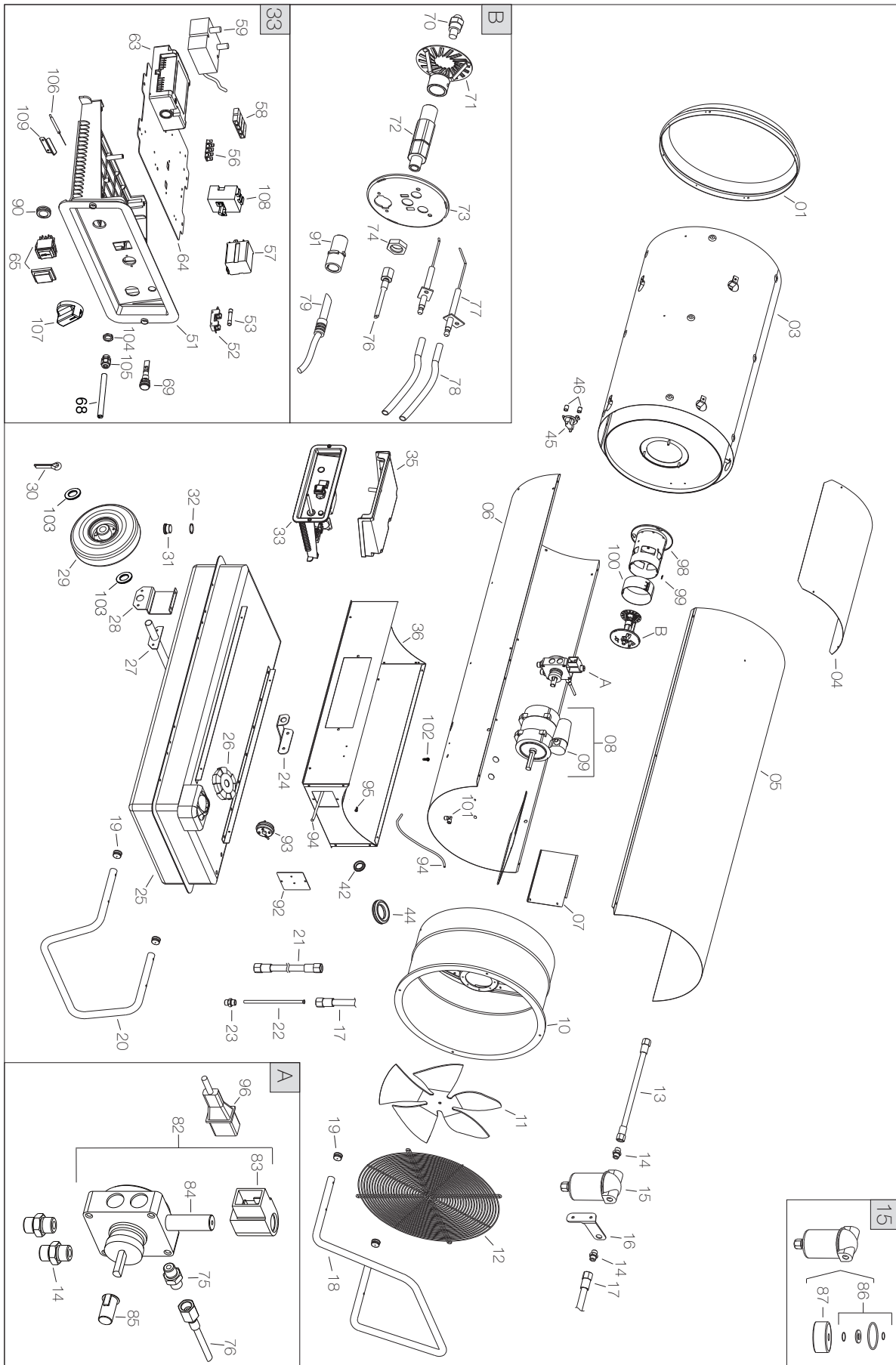
3500DF Series Direct-Fired Portable Heater

POS	P/N	ALT #	DESCRIPTION
01	40494	G06408-9010	Outlet cone
03	50446	G06230	Combustion chamber
05	50447	G06233-9010	Upper body
06	40495	G06409-9010	Lower body
08	50160	E10678-110	Motor AACO
09	50161	E11230	Capacitor AACO
08		E10771	Motor SIMEL
09		E10771-1	Capacitor SIMEL
10	50163	G06125-9010	Air conveyor
11	50165	T10260	Fan
12	50167	P30169	Inlet grill
13	50051	I40330	Flex diesel pipe
14	50729	I20104	Iron fitting
15	50410	O2AC513	Diesel pre-heaters filter kit
16	50054	G06104-9005	Filter support bracket
17	50055	I40329	Flex diesel pipe
18	50451	P20176-9005	Handle
19	40477	C30355	Pipe cap
20	50058	P20177-9005	Support
21	50060	I40331	Flex diesel pipe
22	50061	I30696	Suction pipe
23	50063	I30737	Brass fitting
24	50064	G06068-9005	Power cord support
25	50170	G06127-9005	Fuel tank
26	50070	C30367	Tank cap
27		G06465-9005	Wheel axle
28		G06106-9005	Wheels axle support bracket
29		C10510	Wheel
30	50513	M20507	Cotter pin
31	40532	I25020	Drain cap
32	40479	C30375	O-ring
33	40536	G00248-TA	El. control box
35	50077	P50127	Control box cover
36	40496	G06410-9010	Base
42	50057	C30319	Hole cap
44	50411	C30372	Cable protection
45	50085	E50102	Safety thermostat
46		G06072	Spacer
51	50246	G06153	El. control box panel
52	50093	E20508	Fuse holder
53	50092	E10313	Fuse
56		E20319	Ground terminal board
57	50097	E11125	Relay
58	50731	E20305	Terminal board
59	50319	E10930	H.T. Transformer

63	50320	E40124	Flame control box
64		G06073	Support plate
65	50013	E10102-P	Switch
68	50009	E30443-1	Power cord
69	50008	E11030	Lamp
70	50321	T20357	Nozzle
71	50126	G01077	Diffuser ring
72	50440	I33005	Nozzle support
73	50425	G06228	Burner support disc
74	50131	I31034	Brass lock nut
76	50133	I40192	Micropipe
77	50134	E10215	Ignition electrode
78	50322	G02078	H.T. Cable connect.
79	50323	E50334	Photocell
82	50442	T20410-1	Diesel pump
83	50140	T20118	Solenoid coil
84	50141	T20117	Solenoid valve body
85	50195	E10513	Motor-pump coupling AACO
85	50237	E10698	Motor-pump coupling SIMEL
86	50144	T20241	Filter seal kit
87	50145	T20242	Filter cartridge
90	40537	E20418-L	Stop button protection
91	50336	E50327-50	Photoresistor support
92	40492	G06406-9010	Pressure switch support bracket
93	50337	E50441	Pressure switch
94	40501	I40335	Silicone pipe
95	50429	I31131	Brass hose connection
96	50433	T20442	Solenoid valve cable
98	50450	G06266	Blast tube
99	50413	E20671	Terminal board
100	50419	G06183	Air adjustment shutter
101	50081	I20325	Fitting
102	50079	I31130	Brass hose connection
103	50024	T20201	Diesel filter
104	50025	T20234	Filter seal kit
105	50030	T20206	Filter cartridge
106	50251	T20212	Filter container
107	50082	E20953	Cable fastener
108	50083	E20954	Cable fastener nut
109	40533	M20111	Washer
110		E20965	Cable fastener nut
111		E20964	Cable fastener
112	40538	E10302	Fuse
113	40539	C10322	Black Plastic Knob
114	40540	E50783	Thermostat
115	40541	G10029	Stirrup

NEVER LEAVE THE HEATER UNATTENDED WHILE BURNING!

6000DF Series Direct-Fired Portable Heater



NEVER LEAVE THE HEATER UNATTENDED WHILE BURNING!

6000DF Series Direct-Fired Portable Heater

POS	P/N	ALT #	DESCRIPTION
01	50027	G06139-9010	Outlet cone
03	50460	G06232	Combustion chamber
04		G06143-9010	Panel
05	50461	G06235-9010	Upper body
06	50462	G06238-9010	Lower body
07	40519	G06397	Air conveyor
08	50454	E10704-110	Motor AACO
09		E11249	Capacitor AACO
08		E10772	Motor SIMEL
09	50455	E10772-1	Capacitor SIMEL
10	50463	G06239-9010	Air conveyor
11	50049	T10263	Fan
12	50050	P30129	Inlet grill
13	50051	I40330	Flex diesel pipe
14	50729	I20104	Iron fitting
15	50053	T20239	Diesel pre-heated filter
16	50054	G06104-9005	Filter support bracket
17	50055	I40329	Flex diesel pipe
18	50541	P20176-9005	Handle
19	40477	C30355	Pipe cap
20		P20180-9005	Support
21	50060	I40331	Flex diesel pipe
22	50466	I30698	Suction pipe
23	50063	I30737	Brass fitting
24	50064	G06068-9005	Power cord support
25	50457	G06146-9005	Fuel tank
26	50070	C30367	Tank cap
27		G06465-9005	Wheel axle
28	50456	G06107-9005	Wheels axle support bracket
29		C10510	Wheel
30		M20507	Cotter pin
31	40532	I25020	Drain cap
32	40479	C30375	O-ring
33	40542	G00251-TA	El. control box
35	50077	P50127	Control box cover
36	40497	G06411-9010	Base
42	50453	C30323	Cable protection
44	50411	C30372	Cable protection
45	50085	E50102	Safety thermostat
46		G06072	Spacer
51	50246	G06153	El. control box panel
52	50093	E20508	Fuse holder
53	50092	E10313	Fuse

56		E20319	Ground terminal board
57	50097	E11125	Relay
58	50731	E20305	Terminal board
59	50099	E10917-2	H.T. Transformer
63	50320	E40124	Flame control box (BRAHMA)
64		G06073	Support plate
65	50013	E10102-P	Switch
68	50009	E30443-1	Power cord
69	50008	E11030	Lamp
70	50006	T20327	Nozzle
71	50465	G07025	Diffuser ring
72	50440	I33005	Nozzle support
73	50459	G06229	Burner plate
74	50131	I31034	Brass lock nut
76	50133	I40192	Micropipe
77	50134	E10215	Ignition electrode
78	50135	G02076	H.T. Cable connect.
79	50323	E50334	Photocell
82		T20411-1	Diesel pump
83	50140	T20118	Solenoid coil
84	50141	T20117	Solenoid valve body
85	50143	E10514	Motor-pump coupling AACO
85	50237	E10698	Motor-pump coupling SIMEL
86	50144	T20241	Filter seal kit
87	50145	T20242	Filter cartridge
90	40537	E20418-L	Stop button protection
91	50336	E50327-50	Photoresistor support
92	40492	G06406-9010	Pressure switch support bracket
93	50337	E50441	Pressure switch
94	40501	I40335	Silicone pipe
95	50429	I31131	Brass hose connection
96	50433	T20442	Solenoid valve cable
98	50235	G06412	Blast tube
99	50413	E20671	Terminal board
100	50419	G06183	Air adjustment shutter
101	50081	I20325	Fitting
102	50079	I31130	Brass hose connection
103	40533	M20111	Washer
104		E20965	Cable fastener nut
105		E20964	Cable fastener
106	40538	E10302	Fuse
107	40539	C10322	Black Plastic Knob
108	40540	E50783	Thermostat
109	40541	G10029	Stirrup