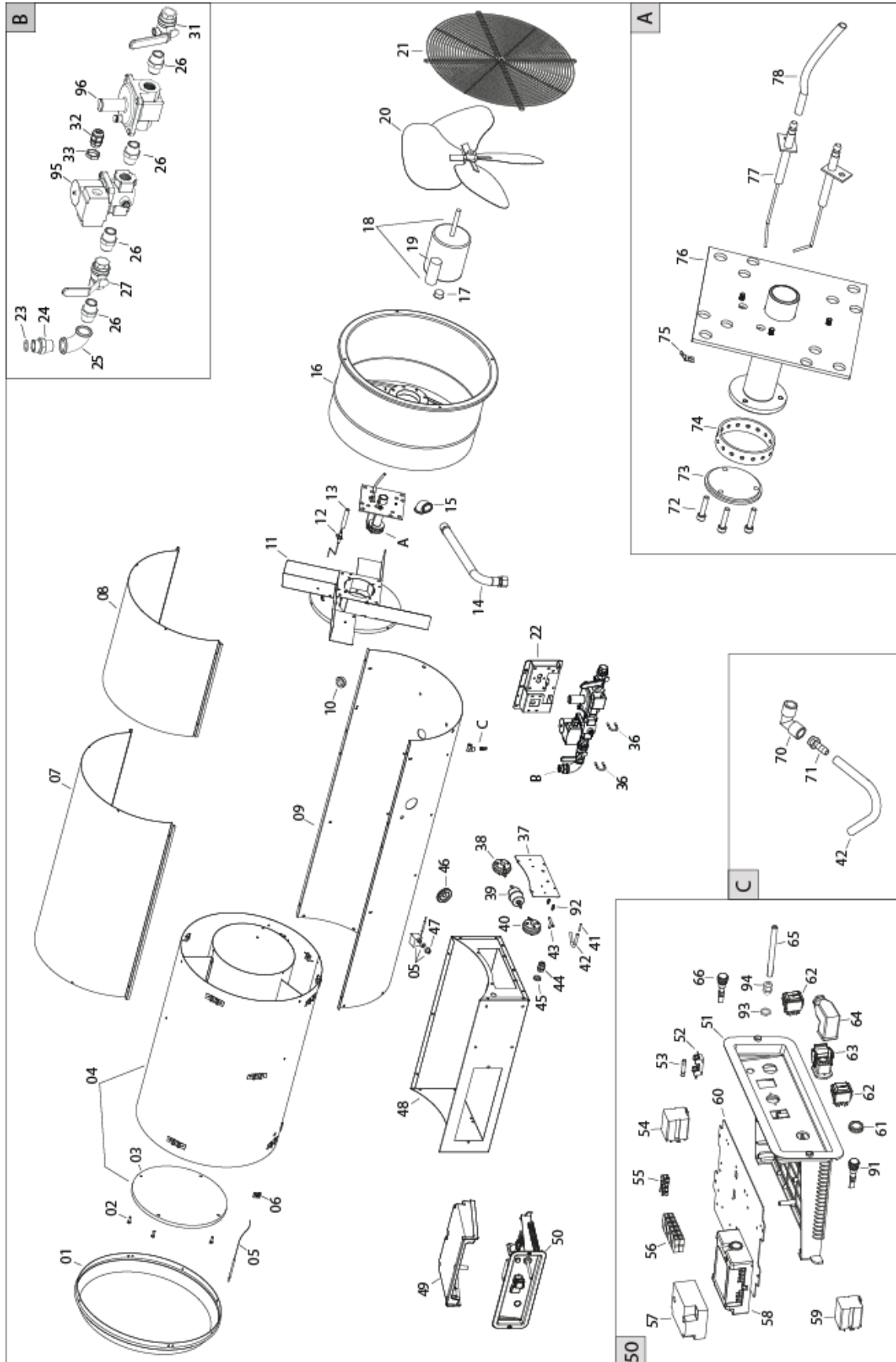
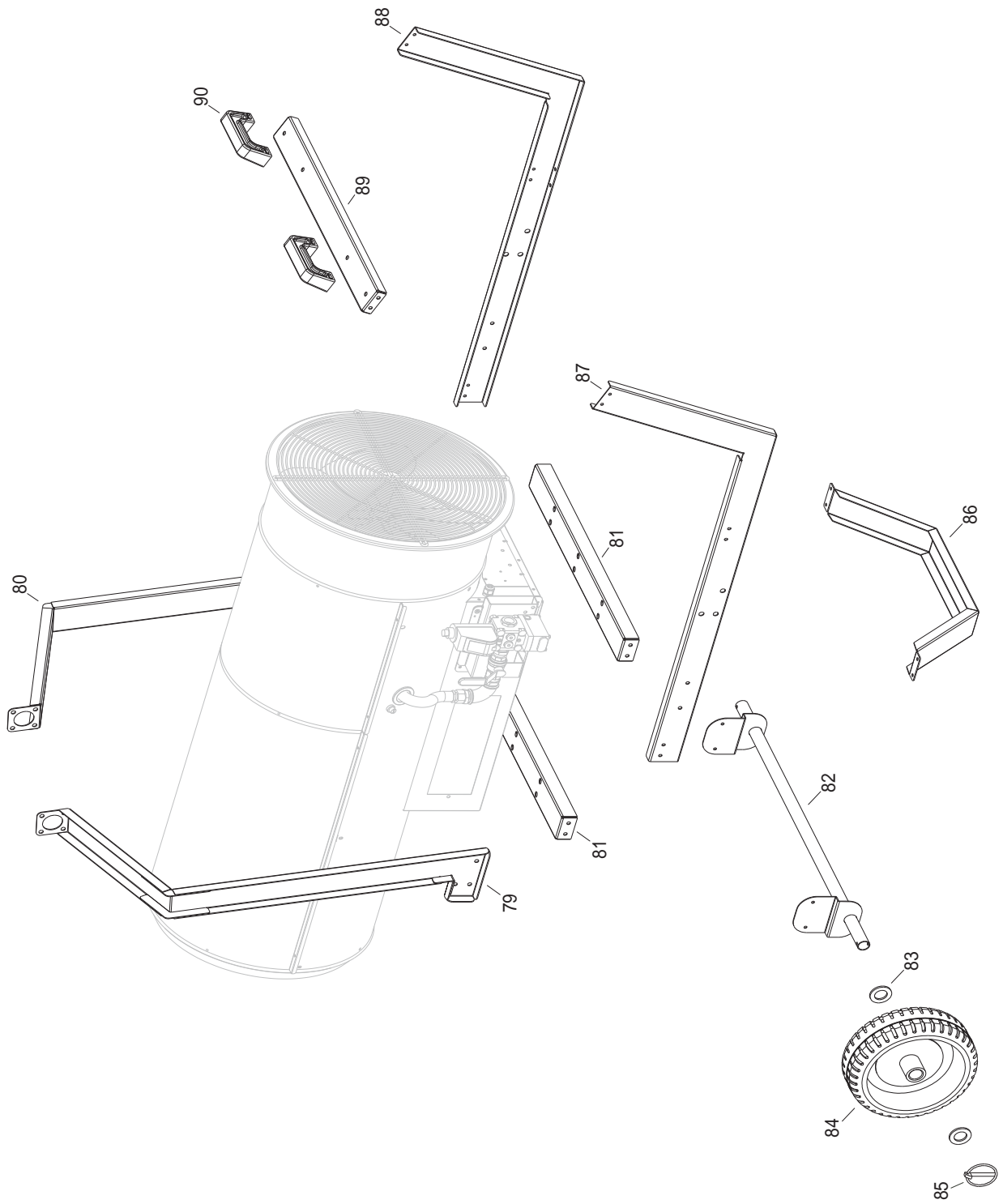


# HS4000NG/LP



# HS4000NG/LP



## HS4000DF NG/LP HD Heater Parts List BM2

NO.	HS#	BM2#	DECRPTION	NO.	HS#	BM2#	DECRPTION
01	50345	G06139-9005	Outlet Cone	50	50371	G00286	Electrical Comp. Drawer Complete
02	50346	M10203/1/B	Screw TE M6x10	51	50372	P50132	Electrical Components Drawer
03	50347	G03114	Flame Guard Shield	52	50093	E20508	Fuse Holder
04	50348	G03147	Combustion Chamber	53	50092	E10313	Fuse (6x30) 20A
05	50349	E50745	Safety Thermostat TY95H	54	50373	E11153	Relay Finder 65.31.8.110AC
06	50515	M20413	Clip Holder Sensing Bulb	55	50374	E20319	Terminal Board
07	50351	G03150-9010	Upper Body	56	50375	E20305	Terminal Board
08	50352	G03152-9010	Cover Inspection	57	50329	E10931	Transformer H.T. BRAHMA
09	50353	G03154-9010	Lower Body	58	50330	E40229	Control Box Brahma Tgrd 81 120V
10	50411	C30372	Protection Cable ø35	59	50097	E11125	Relay Finder 65.31AC
11	50354	G03126	Combustion Chamber Deflectors	60	50376	G06073	Plate for Electrical Components
12	50356	GA.0100206	Electrode Ionisation Probe	61	50325	E20418	Stop Button Protection
13	50545	I40332	Silicone Pipe ø5x9	62	50337	E10110-1-P	Switch 0-1
14	50507	I39106	Anti Vibration Joint	63	50570	E20640	Thermostat Plug 3P + T
15	50500	I20326	Connection 3/4"FF	64	50011	E20665	Drain Plug
16	50463	G06239-9010	Motor Flange	65	50009	E30443	Electrical Wire w/plug and Cable Fastener
17	50469	C30374	Drain Plug	66	50008	E11030	Lamp 120VAC
18	50454	E10704-110	Motor 450W w/ Capacitor 80uF	70	50081	I20325	Connection 1/8"
19	50455	E11249	Capacitor 80uF	71	50079	I31130	Connection Straight ø6 1/8"
20	50166	T10261	Fan ø500 23°	72	50511	M10323/1	Screw TCEI M4x20
21	50050	P30129	Inlet Grill	73	50378	GA.0010208	Burner Plate
22	50391	G06460-3001	Gas Valve Support Bracket	74	50379	GA.0100204	Diffusion Ring G20/G25-16 Holes ø2.6
23	50506	I39102	Seal 3/4"	75	50380	E20679	Terminal Board
24	50505	I31205-1	Connection 3/4"MM	76	50381	G03129	Burner Support
25	50500	I20326	Connection 3/4"FF	77	50134	E10215	Ignition Electrode
26	50504	I31204	Connection 3/4"MM	78	50417	G02078	H.T. Cable Connect 90°
27	50358	T30330-2	Gas Selector Valve	79	50382	G03168-9005	Lifting Frame
31	50359	T30333	Manual Gas Test Firing Valve	80	50383	G03169-9005	Lifting Frame
32	50392	E20949	Cable Fastener	81	50384	G03170-9005	Body Support
33	50393	E20950	Cable Fastener Nut	82	50385	G03171-9005	Wheel Axle ø25
36	50516	M20907	Valve Support	83	40533	M20111	Washer ø26 x ø44 x 4mm
37	50363	G03157-9010	Support for Pressure Plate	84	50386	C10556	Wheel ø 260-ø 26mm
38	50364	E50443	Pressure Switch 330Pa	85	40534	M20505	Wheel Locking Pin
39	50365	I30414	Oil Filter	86	50387	G03172-9005	Support
40	50337	E50441	Pressure Switch 200Pa	87	50388	G03173-9005	Right Frame
41	50366	I40336	Silicone Pipe ø4x1.5	88	50389	G03174-9005	Left Frame
42	40501	I40501	Silicone Pipe ø4x8	89	50390	G03175-9005	Handle
43	50367	I20669	Connector Straight T ø4	90	40505	C10203	Handle
44	50368	E20952	Cable Fastener PG11	91	50394	E11021	Lamp
45	50369	E20955	Nut for PG11	92	50395	I33131	Brass Hose Connection
46	50470	C30376	Cable Protection ø36mm	93	50396	E20965	Cable Fastener Nut
47	50260	E50750	Safety Thermostat Plastic Profile	94	50397	E20964	Cable Fastener
48	50370	G03159-9010	Base	95	50398	T30115	Gas Valve Unit
49	50077	P50127	Control Box Cover	96	50399	T30116	Pressure Regulator