



# ENERCO®

## PROPANE ACCESSORIES INSTALLATION GUIDE

### HOSES



### FITTINGS



### REGULATORS



### ACCESSORIES



Thank you for choosing Enerco quality hoses and fittings. The following information will help you through various connections for your high and low pressure appliances, using both disposable and refillable propane cylinders. Note: all Mr. Heater hoses and fittings are compatible with Century Primus, Coleman Co., Inc. and other common camping appliances.

**How to Use This Information Guide**

The sole purpose of this booklet is to assist you in making “the right connection” for those many outdoor camping and sporting applications.

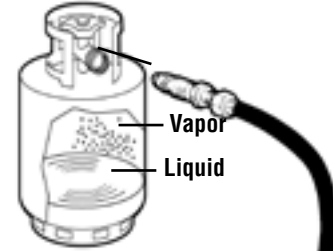
The adapter fittings and hoses illustrated are the most common and should serve as a basic guide for their safe use. Consult your specific appliance, hose and fitting instructions for information concerning your individual gas burning appliances and propane hoses and fittings.

**Proper Care of Fittings and Hoses**

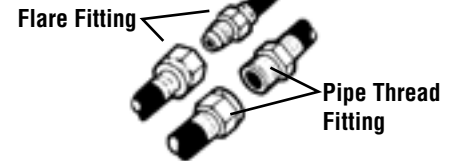
**Fittings:** Keep free of dirt.  
**Hoses:** Keep foreign materials (dirt, leaves, etc.) out of hose opening. Keep away from open flames to avoid melting.

**Propane and Its Safe Use**

Propane gas is a heavy colorless gas with a distinct odor, and it is highly flammable. However, it is safe IF USED PROPERLY. Following the instructions in this booklet will assist you in the use of your propane fueled products.

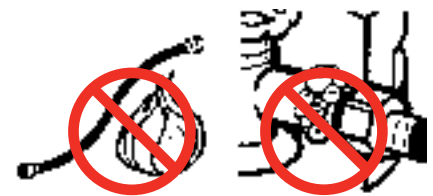


**Note:** Teflon Tape or Pipe Dope approved for propane gas applications is necessary to seal Pipe Thread Fitting Only!



Glossary	
<b>CSA (AGA)</b>	Canadian Standards Association (Formerly: American Gas Association)
<b>Backfire</b>	Also called Flashback. The flash back of the flame through the venturi, causing burning at the orifice.
<b>Burner</b>	Device forming an integral unit for the introduction of propane with air or oxygen into the combustion zone for ignition.
<b>Cylinder</b>	With respect to propane storage, refers to a container designed and fabricated in accordance with the specifications of the U.S. Department of Transportation for the storage of propane.
<b>L.H. Thread</b>	A threaded connection where the male thread is turned in a counter-clockwise direction into a female thread (L.H.).
<b>N.P.T.</b>	American Standard Pipe Threads.
<b>Orifice</b>	The opening in a cap or other device whereby the flow of propane gas is limited and through which the gas is discharged to the burner.
<b>P.O.L.</b>	A commonly employed thread (L.H.) connection used for propane cylinders and meeting the specifications of the American Standards Institute.
<b>Propane</b>	A hydrocarbon product (HD <sub>5</sub> ); A special grade of liquefied petroleum gas composed of a minimum 90% liquid volume of propane (C <sub>3</sub> H <sub>8</sub> ) and a maximum of 5% liquid volume of Propylene (C <sub>3</sub> H <sub>6</sub> ) - Ref. ANSI Z21.57, ANSI 283.6, Z83.7.
<b>QCC-1 Fitting (Acme Nut)</b>	The QCC-1 connector is a nut-and-nipple assembly, and is easily identifiable by the large, external right-hand threads on the cylinder valve. The QCC-1 connector's patented nut is easy to connect and tighten without tools.
<b>R.H. Thread</b>	A threaded connection where the male thread is turned in a clockwise direction into a female thread (R.H.).
<b>Rate</b>	BTU input burned by an appliance during one hour of full operation.
<b>Regulator</b>	A device for controlling or maintaining a uniform gas pressure.
<b>Safety Shutoff Valve</b>	A device that will shut off gas supply to the controlled burner in the event of flame failure.
<b>Soft Nose</b>	With fittings, refers to a P.O.L. with a rubber “O” Ring which acts as a secondary seal for connection to a propane cylinder valve.
<b>Tank Union</b>	A P.O.L. assembly with a R.H. female device – i.e. the valve on an appliance.
<b>Thermocouple</b>	The pair of dissimilar metallic elements so joined as to produce a current when the junctions are at different temperatures. Used for sensing the flame in a safety shutoff assembly.

**WARNING: DO NOT** light appliance until hose and fitting hook-up to appliance and propane tank are completed, **AND** all connections have been tightened. **ALWAYS** check connections with a soap solution before lighting! (The liquid will bubble if there is a leak). **DO NOT USE MATCHES, LIGHTERS OR ANYTHING WITH A FLAME TO CHECK FOR LEAKS!** Propane gas has a distinct odor. **KEEP ALL APPLIANCES, HOSES AND PROPANE TANKS AWAY FROM OPEN FLAMES.**



Approved propane cylinders must be located outdoors. National Fire Protection Association (NFPA 58-1986) requires that safety device discharge (pop off valve on tank) be located outdoors.


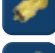
If you have any questions or you would like your own copy of this installation guide, call our **Toll Free Hook-Up Hotline:**

**866-447-2194**

Operators are available from 8:00 A.M. to 5:00 P.M. EST, Monday through Friday. We'll be happy to help you make the right connection!





# TABLE OF CONTENTS

## BY PRODUCT:

	1. Hose Assemblies .....	4 - 11
	2. Brass Fittings .....	11-14
	3. Propane Regulators.....	14-17
	4. Propane Brass Accessories .....	17-20
	5. Accessories.....	21-24
	6. Gas Quick Connect Kits and Accessories .....	25-27
	7. Propane Accessory Kits.....	27-29
	8. Part Number Index.....	30
	9. Other Quality Products.....	31

## BY APPLICATION:

NUMBER = PAGE | LETTER = ITEM  
EXAMPLE: 4A

Application	 Hose Assemblies	 Brass Fittings	 Propane Regulators	 Accessories
<b>1. Barbecue Gas Grill Hook-Ups</b>	5D, 5E, 5F, 7B, 7C, 9C, 10A	12B, 12F, 13B, 13C, 13F	15B, 16B	20A, 23A, 23B, 23D, 24A, 24B, 24C, 25A, 25B, 25C, 25D, 26C, 26D, 27A, 27B, 29B
<b>2. Portable Heater Hook-Ups</b>	5E, 5F, 6A, 6B, 6C, 7A, 7D, 7E, 8A, 8B, 9A, 9B	12B, 12F, 13C, 13F	15A, 15C, 16B, 17B	18C, 19A, 19B, 21A, 22A, 22C, 23A, 23B, 23C, 23D, 24A, 25B, 25C, 25D, 26A, 26B, 26C, 27A, 27B, 29B
<b>3. Sporting: Camping, Hunting, Fishing Hook-Ups</b>	5E, 5F, 7A, 7B, 7C, 7D, 7E, 8A, 8B, 8C, 8E, 8F, 9A, 9B, 10C, 11A	12B, 12D, 12E, 12F, 13A, 13B, 13C, 13D, 11E, 11F, 11G, 14A, 14B, 14C, 14D	15A, 15B, 15C, 16B, 16C, 17B	17C, 18A, 18B, 18C, 19A, 19B, 19C, 19D, 19F, 20B, 20C, 21C, 22A, 23B, 23A, 23C, 24A, 25C, 25D, 26A, 26B, 26C, 27A, 27B, 27C, 28A, 28B, 29A, 29B
<b>4. Recreation Vehicle Hook-Ups</b>	4A, 4B, 4C, 4D, 4E, 5A, 5B, 5C, 6C, 9A, 9B, 10B	11B, 12A, 12B, 12C, 12F, 13C	15C, 16A, 17A	18B, 18C, 18D, 18E, 19A, 20C, 23A, 23B, 23D, 24A, 24C, 25B, 25C, 25D, 26C, 27C, 28A, 28B, 29A, 29B
<b>5. Fish Cookers, Smokers, Torches &amp; Weed Burner Hook-Ups</b>	5E, 5F, 8C, 8D, 9D	12F, 13B, 13C, 13F	14E	23A, 23B, 25C, 25D, 26A, 26B, 26C, 29B
<b>6. Gas Logs, Wall Mount Heaters, Pedestal Stoves &amp; Garage Heater Hook-Ups</b>		11C, 12A	15A, 15C, 16B, 17A	21B
<b>7. Tank Transporting</b>				22B



# HOSE ASSEMBLIES

**Part#**

**Description**

**Application**

**A. 71138-20**

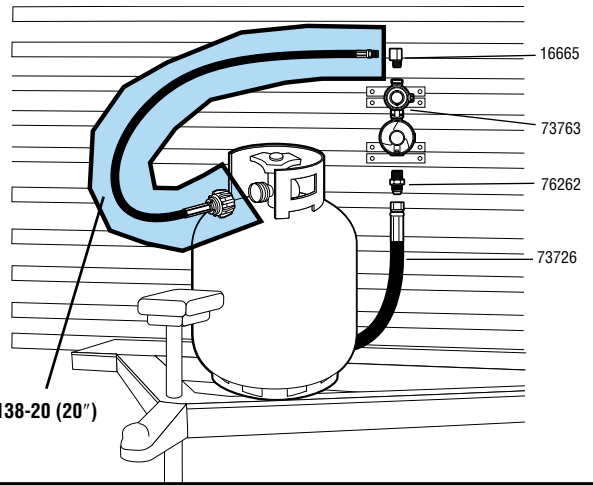


  
 Assembly  
 (UL 569/UL 21)

**20' Propane Hose Assembly**

(Acme Nut x 1/4" Male Pipe Thread)

Most commonly used to connect a bulk cylinder on a camper to a regulator.



**B. 71144-60**  
**C. 71144-144**

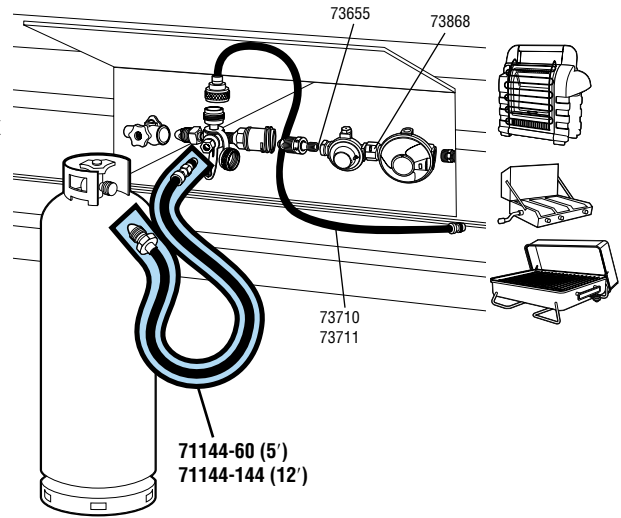


  
 Assembly  
 (UL 569/UL 21)

**5' Propane Hose Assembly**

**12' Propane Hose Assembly**  
 (Soft Nose Excess Flow P.O.L. x 1/4" Inverted Male Flare)

Most commonly used to connect an auxiliary tank to a motor home.



**D. 71149-36**  
**E. 71149-72**



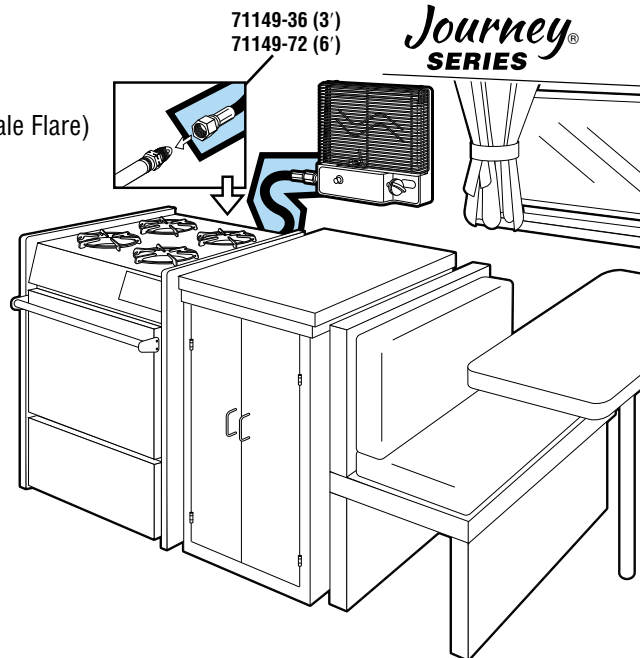
  
 Assembly  
 (UL 569/UL 21)

**3' Propane Hose Assembly**

**6' Propane Hose Assembly**

(3/8" Female Flare x 3/8" Female Flare)

Connects existing gas line to appliances equipped with 3/8" Male Flare.





# HOSE ASSEMBLIES

Part#

Description

Application

- A. 71158-12
- B. 71158-15
- C. 71158-18

- 12" Propane Acme Flexible Pigtail Hose
- 15" Propane Acme Flexible Pigtail Hose
- 18" Propane Acme Flexible Pigtail Hose

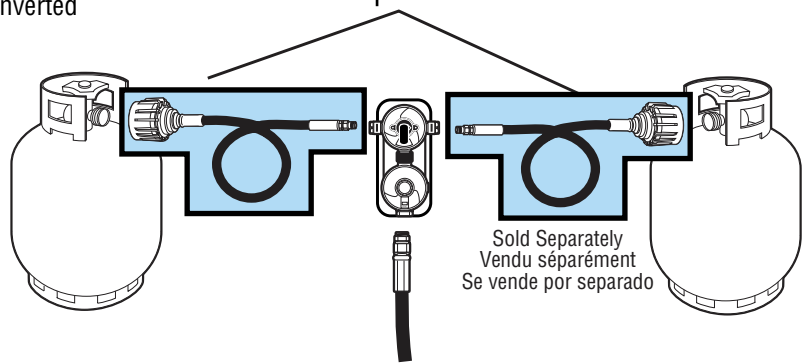
71158-12 (12")  
71158-15 (15")  
71158-18 (18")

(Acme Nut x 1/4" Inverted Male Flare)

Connects to Propane Tank and Auto Change-Over Dual Stage Regulator



  
Assembly  
(UL 569)



D. 71161

- 22" Repl. Propane BBQ Hose & Regulator Assembly with Appliance End Fitting/Acme Nut

(Regulator with Appliance End Fitting/Acme Nut x 3/8" Female Flare)

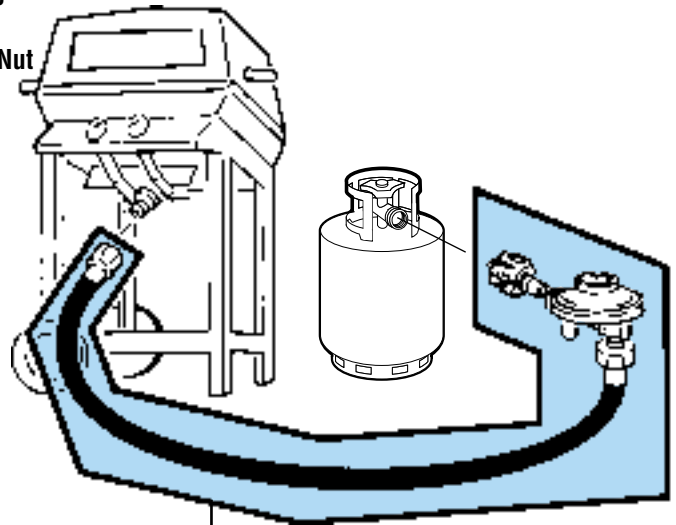
Most commonly used on propane gas grills.

**Features:**

- 11" W. C. Setting
- 1/2 PSI Output
- 75,000 BTU Capacity

**Replacement Parts:**

- 1 73716: See page 9, item C
- 2 73761



71161 (22")

- E. 71163-30
- F. 71163-60

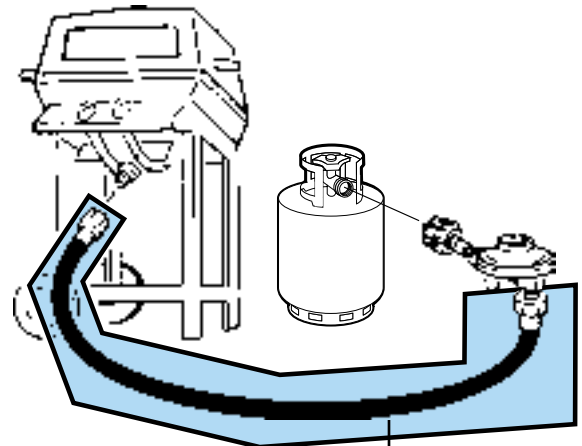
- 30" Propane Hose Assembly
- 5' Propane Hose Assembly

(3/8" Male Pipe Thread x 3/8" Female Flare)

Most commonly used to hook a low pressure regulator to an appliance.



  
Assembly  
(UL 569/UL 21)



71163-30 (30")  
71163-60 (5')





# HOSE ASSEMBLIES

**Part#**

**Description**

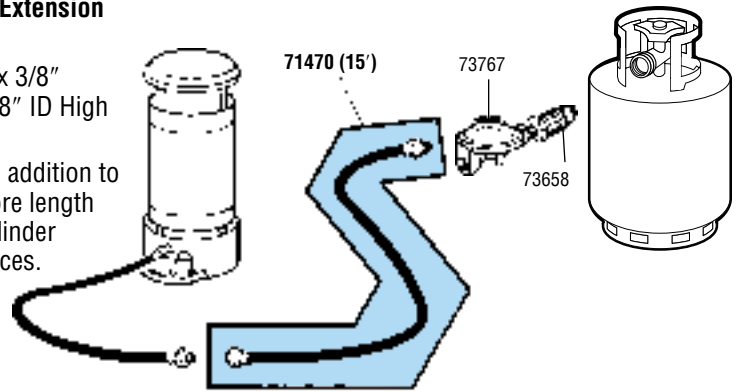
**Application**

**A. 71470**

**15' Propane Appliance Extension Hose Assembly**

(3/8" Male Pipe Thread x 3/8" Female Pipe Thread) (3/8" ID High Pressure Hose)

Most commonly used in addition to the existing hose for more length between the propane cylinder and the portable appliances.

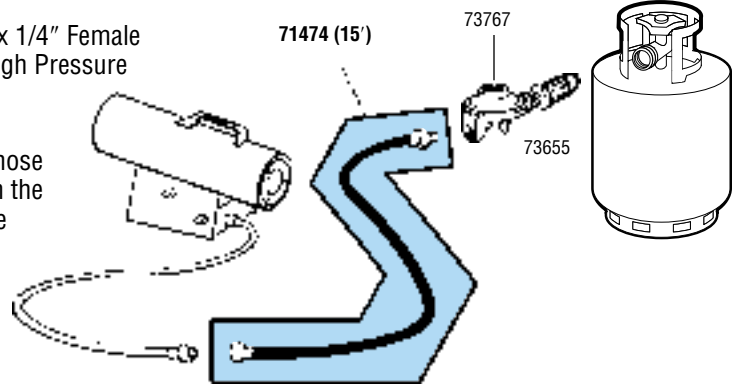


**B. 71474**

**15' Propane Appliance Extension Hose Assembly**

(1/4" Male Pipe Thread x 1/4" Female Pipe Thread) (1/4" ID High Pressure Hose)

Most commonly used in addition to the existing hose for more length between the propane cylinder and the portable appliances.

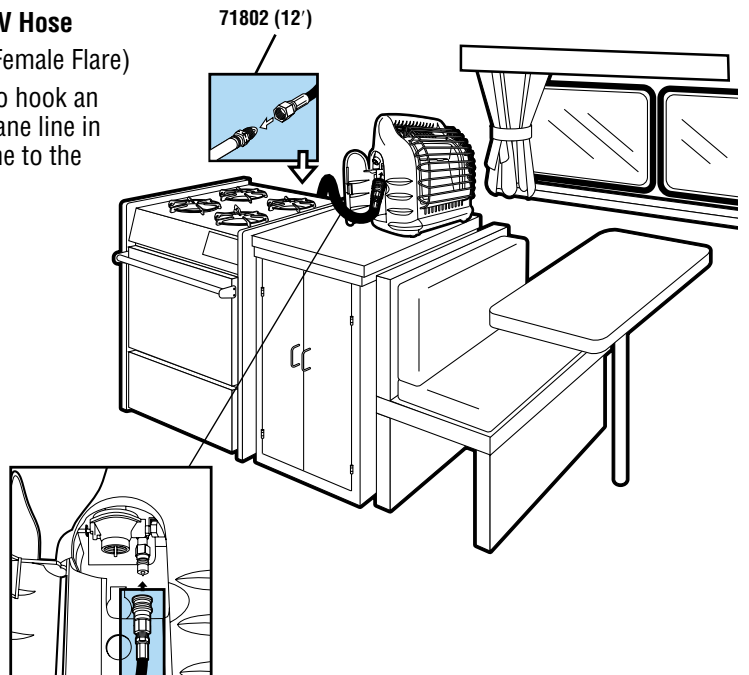


**C. 71802**

**Big/Tough Buddy 12' RV Hose**

(Quick Connect x 3/8" Female Flare)

Most commonly used to hook an existing regulated propane line in a camper or motor home to the Big/Tough Buddy.



# HOSE ASSEMBLIES

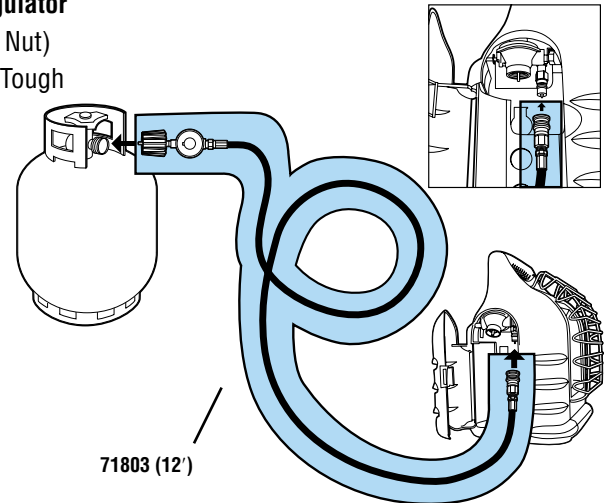
Part#

Description

Application

A. 71803

**Big/Tough Buddy 12' Hose with Regulator**  
(Quick Connect x Regulator w/Acme Nut)  
Most commonly used to hook a Big/Tough Buddy to a 20 lb. propane cylinder.



B. 73071  
C. 73072

**5' Propane Hose/Regulator Assembly**  
**12' Propane Hose/Regulator Assembly**

(Regulator w/Restricted Flow Soft Nose P.O.L. and Handwheel x 3/8" Female Flare)

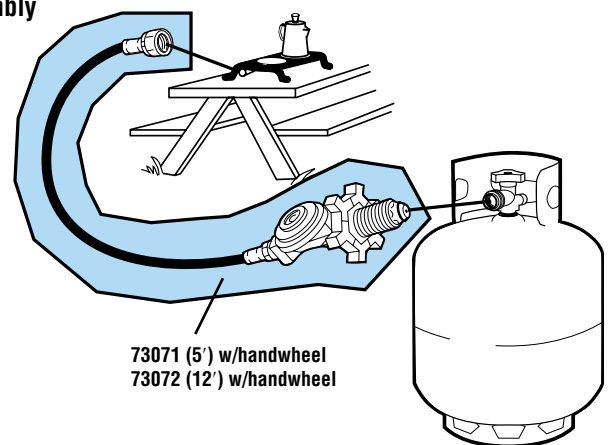
Connects low pressure portable propane appliances to a 20 lb. cylinder.

**Features:**

- Low Pressure
- 11" W. C. Setting
- 1/2 PSI Output
- 75,000 BTU Capacity

**Replacement Parts:**

- 1 76136
- 2 71163-60: *see page 5, item F*
- 3 73783: *Consult factory\*\**
- 4 35144: *Consult factory\*\**



D. 73701  
E. 73702

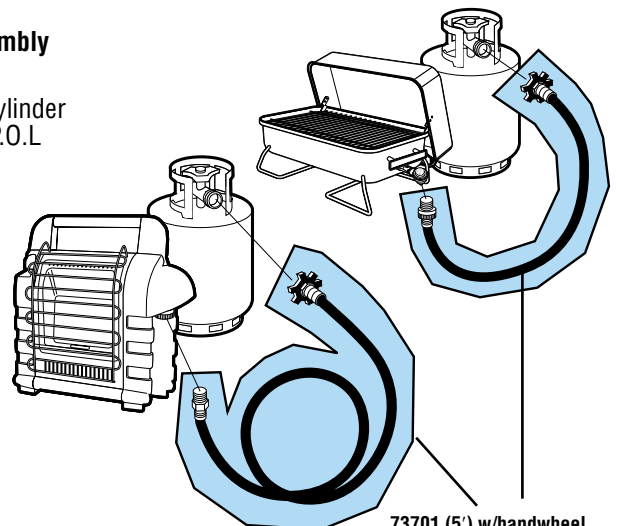
**5' Propane Hose/Regulator Assembly**  
**12' Propane Hose Assembly**

(Swivel 1"-20 Male Throwaway Cylinder Thread x Excess Flow Soft Nose P.O.L. w/Handwheel)

Connects appliances that are designed for disposable cylinders to a 20 lb. cylinder. Hand tighten swivel on both ends.

**Features:**

- High Pressure Hose
- Excess Flow Soft Nose P.O.L.
- Connects portable appliances to 20 lb. cylinders





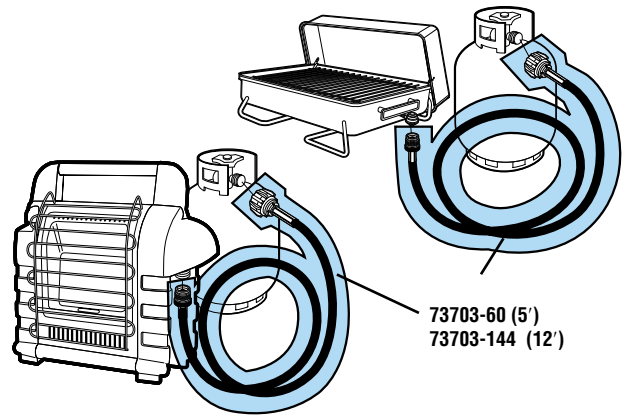
# HOSE ASSEMBLIES

**Part#**

**Description**

**Application**

A. 73703-60  
B. 73703-144

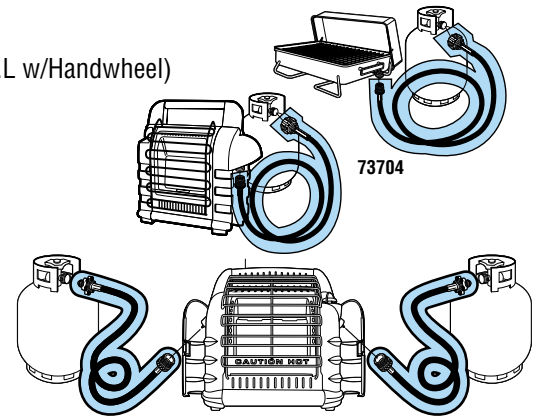


73703-60 (5')  
73703-144 (12')

C. 73704

**10' Buddy Series Propane Hose Assembly**

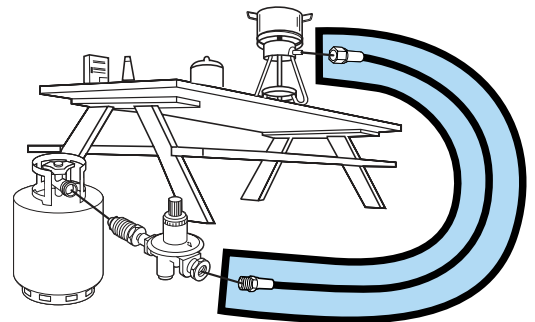
Swivel 1" - 20 Male Throwaway Cylinder Thread x Soft Nose Excess Flow P.O.L w/Handwheel)  
Connects appliances that are designed to be connected to 1lb. bottles to 5-20lb. tanks.  
Connects low pressure to high pressure tanks.



73704

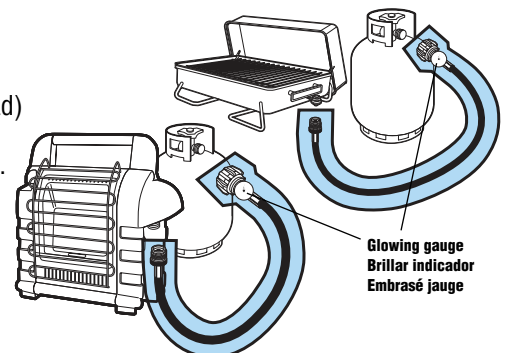
D. 73707  
E. 73707-108

**5' Propane Hose Assembly**  
**9' Propane Hose Assembly**  
(1/4" Male Pipe Thread x 3/8" Female Flare)  
Replaces most hose assemblies between regulator and fish cooker/smoker, torches, or other propane appliances.



F. 73718

**8' Universal Propane Hose & Gauge Assembly**  
(Acme Nut x 1" - 20 Male Throwaway Cylinder Thread)  
Connects propane appliances that are designed to be connected to 1 lb. propane bottles to 5 - 20 lb. tanks.



Glowing gauge  
Brillar indicador  
Embrasé jaugé



# HOSE ASSEMBLIES

Part#

Description

Application

A. 73710  
B. 73711

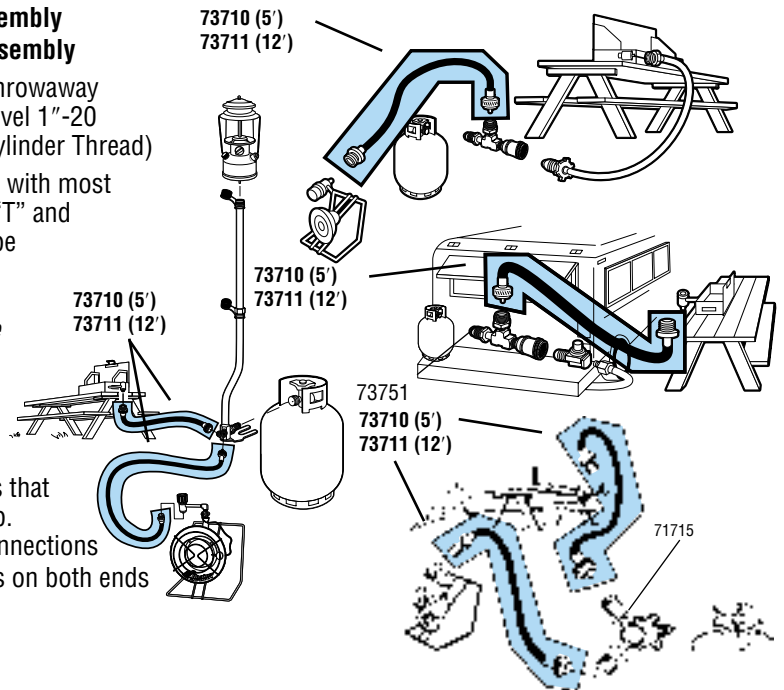
**5' Propane Hose Assembly**  
**12' Propane Hose Assembly**

(Swivel 1"-20 Male Throwaway Cylinder Thread x Swivel 1"-20 Female Throwaway Cylinder Thread)

Most commonly used with most distribution posts or "T" and "Y" connectors. Can be used with Mr. Heater Part # F171715 "Y" adapter (see page 17, item B), F271741 30"/15" distribution post.

**Features:**

- Connects appliances that are designed for 1 lb. cylinders to 1 lb. connections
- Hand tighten swivels on both ends



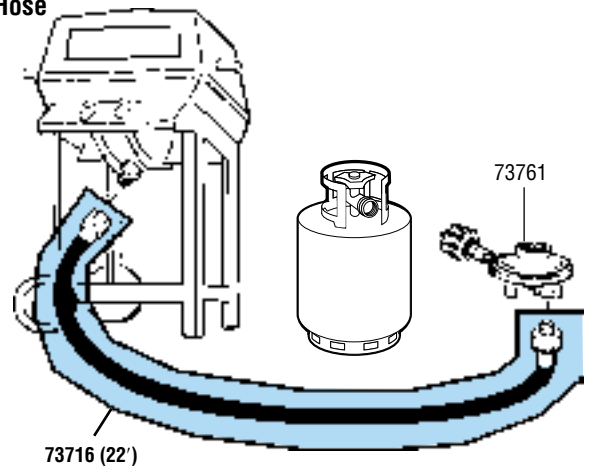
C. 73716

**22" Propane Replacement Barbecue Hose**

(3/8" Male Pipe Thread x 3/8" Female Flare)

(Total assembly with regulator is Mr. Heater Part # F271161, see page 5, item D)

Fits most propane barbecue gas grills.

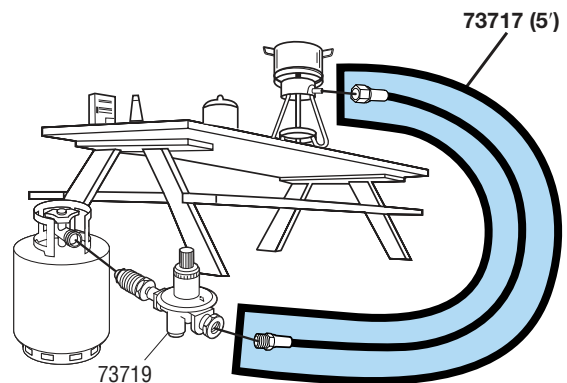


D. 73717

**5' Propane Appliance Extension Hose Assembly**

(1/4" Male Pipe Thread x 1/4" Female Pipe Thread) (1/4" ID High Pressure Hose)

Use as an extension hose for portable propane appliances.







# HOSE ASSEMBLIES

**Part#**

**Description**

**Application**

**A. 73720**



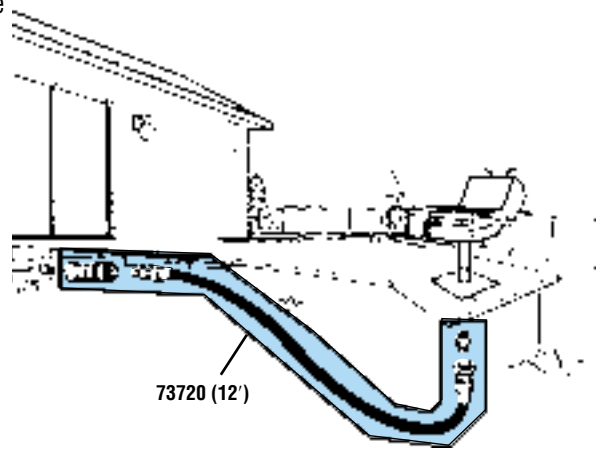
**12' Natural Gas Patio Hose Assembly**

(3/8" Female Pipe Thread x 3/8" Male Flare Quick Connect/Disconnect with Dust Plug and Cap)

Most commonly used for connecting natural/propane gas appliances to the existing low pressure supply.

**Replacement Parts:**

- 1 76262: See page 14, item D
- 2 73709: Consult factory\*\*
- 3 73691: Consult factory\*\*
- 4 73693: Consult factory\*\*
- 5 73694: Consult factory\*\*



**B. 76148**



**5' Propane Hose Assembly**

(9/16 Left Hand Female Threads on Both Ends) Most commonly used as an extension hose as shown.

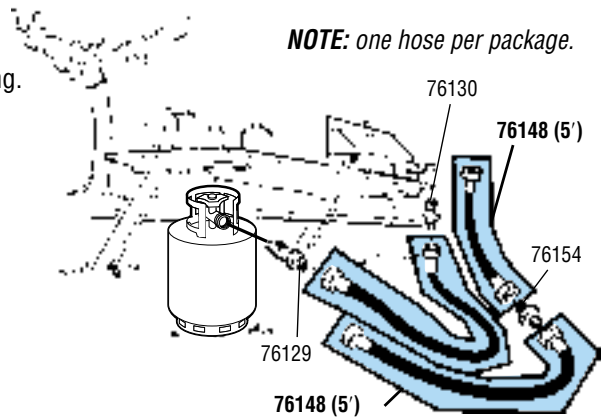
For additional length connect two 76148 hoses with 76154 brass fitting.

Use with Part # 76154 (page 14, item C) to make longer or Part # 76129 & 76130 to make it a portable appliance hose.

**Features:**

- High Pressure Hose
- Most commonly used as an extension hose

**NOTE: one hose per package.**



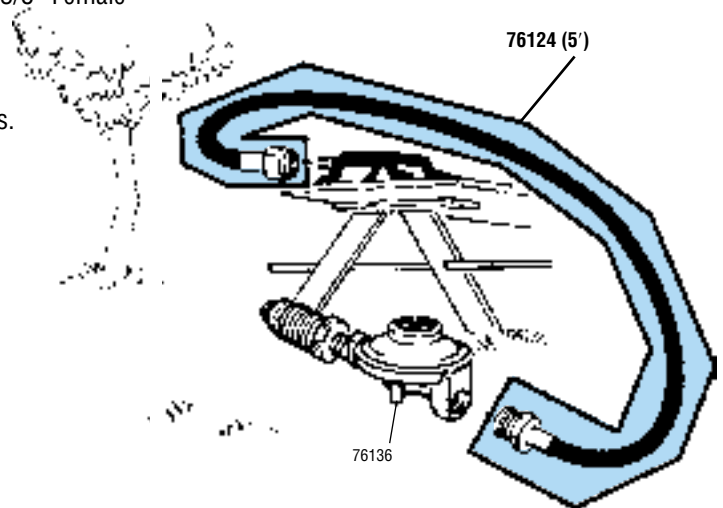
**C. 76124**



**5' Propane Hose Assembly**

(3/8" Male Pipe Thread x 3/8" Female Pipe Thread)

Often used to connect low pressure appliances to low pressure regulators.



# FITTINGS

**Part#**

**Description**

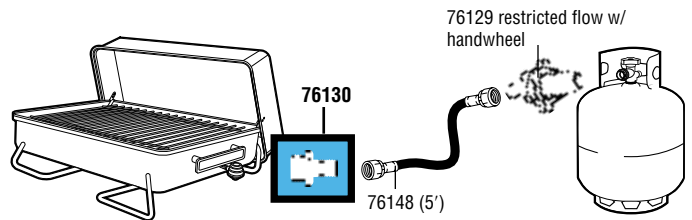
**Application**

**A. 76130**



**9/16" Left Hand Male Thread x 1"-20 Throwaway Cylinder Thread w/Shutoff**

Most commonly used to connect 9/16" female thread to 1"-20 female throwaway cylinder thread with shutoff.

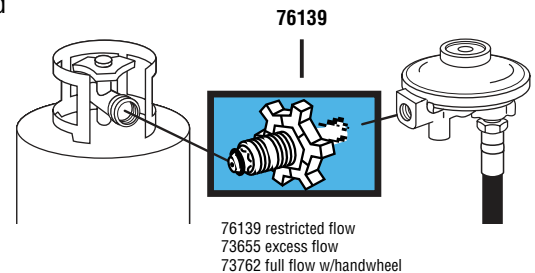


**B. 76139**



**1/4" Male Pipe Thread x Restricted Flow Soft Nose P.O.L. w/Handwheel**

Most commonly used to connect 1/4" female pipe threads to 7/8" female P.O.L. (20 lb. or 5 gal. tank internal threads) (Low Pressure Regulator, for gas grills and other appliances, tees, etc.)



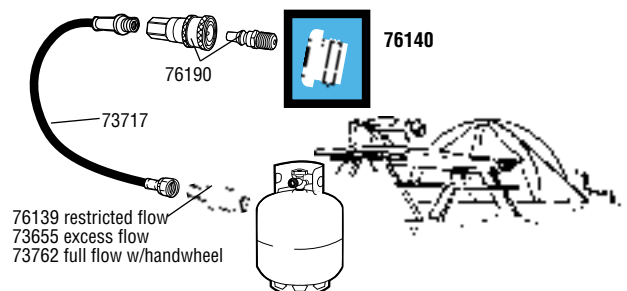
**C. 76140**



**Propane Male Throwaway Cylinder Adapter**

(1"-20 Male Throwaway Cylinder Thread x 1/4" Female Pipe Thread)

Most commonly used to connect appliances that use disposable cylinders to a 1/4" male pipe thread.





# FITTINGS

**Part#**

**Description**

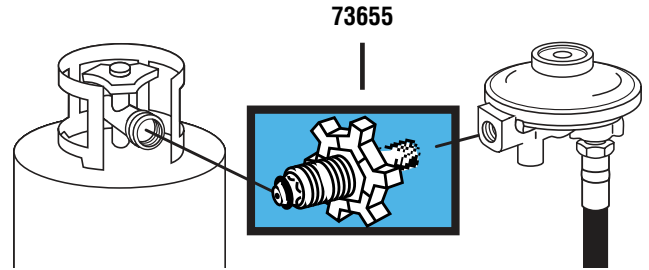
**Application**

**A. 73655**

**Excess Flow Soft Nose P.O.L. x 1/4" Male Pipe Thread w/Handwheel**

**Features:**

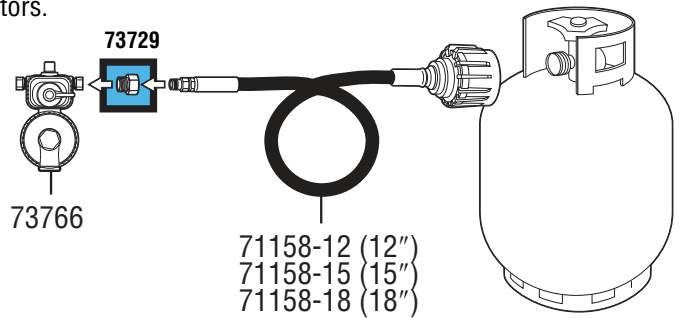
- Excess flow safety
- CSA Approved
- UL Listed



**B. 73729**

**1/4" Male Pipe Thread x 1/4" Inverted**

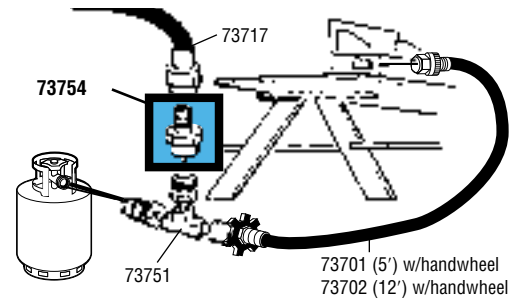
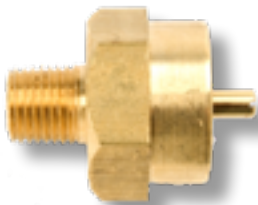
Most commonly used on some auto change over dual stage regulators.



**C. 73754**

**1/4" Male Pipe Thread x 1"-20 Female Throwaway Cylinder Thread**

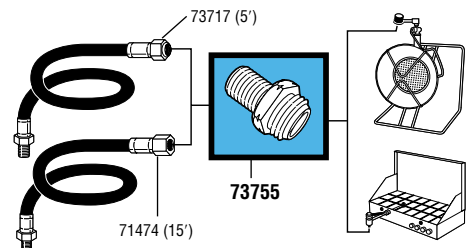
Most commonly used to connect 1/4" female pipe thread to 1"-20 male throwaway cylinder thread.



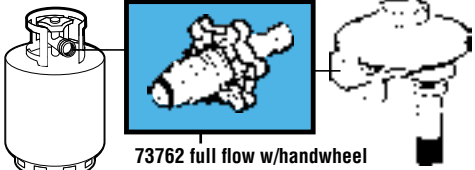
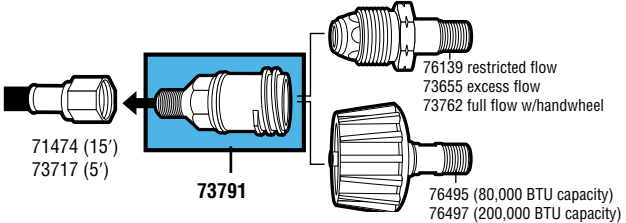
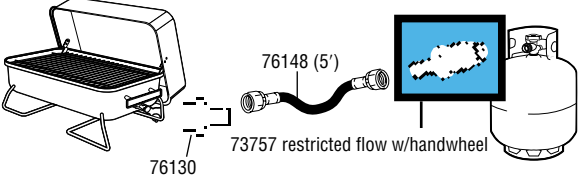
**D. 73755**

**1/4" Male Pipe Thread x 1"-20 Male Throwaway Cylinder Thread**

Most commonly used to connect 1/4" female pipe thread to 1"-20 female throwaway cylinder thread.



# FITTINGS

Part#	Description	Application
A. 73762	<p><b>1/4" Male Pipe Thread x Full Flow Soft Nose P.O.L. w/Handwheel</b></p> <p>Full Flow P.O.L. Most commonly used to connect 1/4" female pipe threads to 7/8" female P.O.L. (20 lb. or 5 gal. tank internal threads) (Low Pressure Regulator, for gas grills and other appliances, tees, etc.)</p>	 <p>73762 full flow w/handwheel 76139 restricted flow 73655 excess flow</p>
B. 73791	<p><b>1/4" Male Pipe Thread x Female P.O.L. w/Acme Thread</b></p> <p>Most commonly used to connect acme nuts or P.O.L.'s to T's, Y's and hoses.</p> <p>Connects to <b>NEW</b> and <b>OLD</b> propane connections.</p>	 <p>71474 (15') 73717 (5')</p> <p>73791</p> <p>76139 restricted flow 73655 excess flow 73762 full flow w/handwheel</p> <p>76495 (80,000 BTU capacity) 76497 (200,000 BTU capacity)</p>
C. 76129	<p><b>9/16" Left Hand Thread x Restricted Flow Soft Nose P.O.L. w/handwheel</b></p> <p>Most commonly used to connect 9/16" Female Left Hand Thread to 7/8" Female P.O.L. Thread (20 lb./5 gal. tank internal threads).</p>	 <p>76148 (5')</p> <p>76130</p> <p>73757 restricted flow w/handwheel</p>





# FITTINGS

**Part#**

**Description**

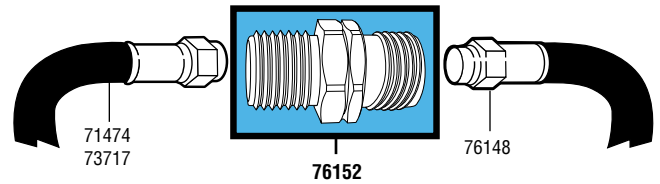
**Application**

**A. 76152**



**1/4" Male Pipe Thread x 9/16" Left Hand Male Thread**

Most commonly used to connect hoses together to extend hose length.

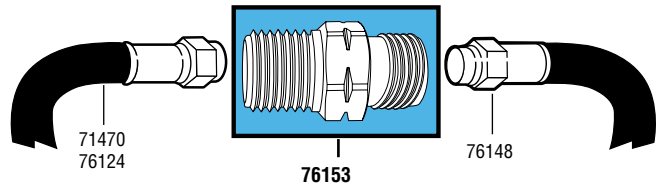


**B. 76153**



**3/8" Male Pipe Thread x 9/16" Left Hand Male Thread**

Most commonly used to connect hoses together to extend hose length.

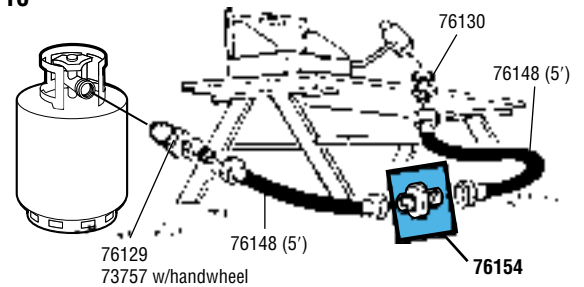


**C. 76154**



**9/16" Left Hand Male Pipe Thread x 9/16" Left Hand Male Thread**

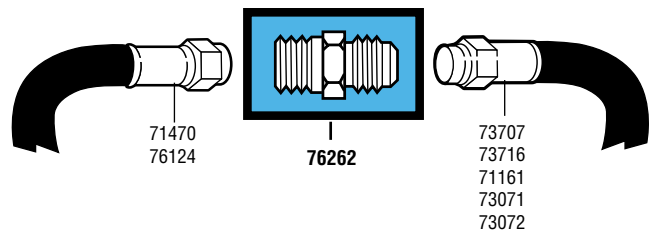
Most commonly used to connect hoses together to extend hose length.



**D. 76262**



**3/8" Male Pipe Thread x 3/8" Male Flare**





# REGULATORS

Part#

Description

Application

A. 73766



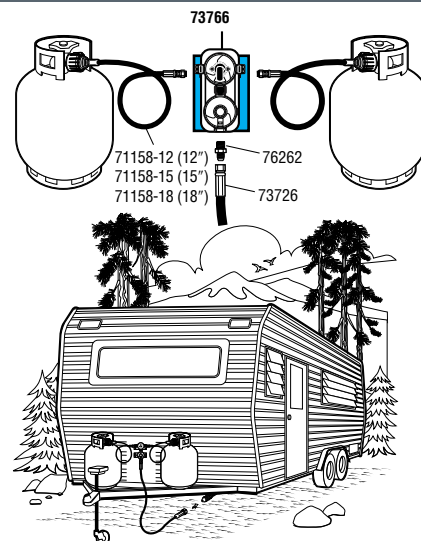
## Propane Auto-Changeover Two Stage Regulator (with cover & bracket)

(Two 1/4" Inverted Female Flare Inlets x 3/8" Female Pipe Outlet)

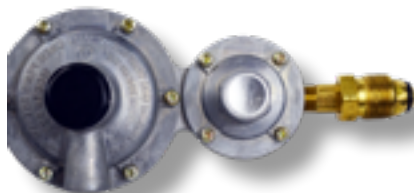
Most commonly used on RV's with dual tank hook-up.

### Features:

- 300 BTU Capacity • 11" W.C. Setting
  - 1/2 PSI Output • Automatic Changeover
  - Visible Gauge • Automatically changes over from empty tank to full one
  - Can remove empty cylinder and take for refill without interruption
  - Gas gauge for monitoring
  - Pressure consistency through dual regulators
- \* Brass inverted fitting are not removable



B. 73863 (With P.O.L.)

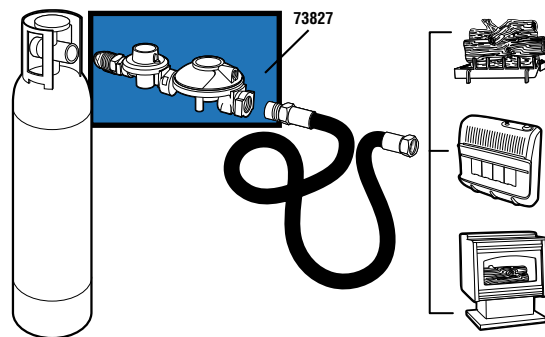


## Horizontal Propane Two-Stage Regulator

Excess Flow Soft Nose P.O.L. (Inlet) x 3/8" Female Pipe Thread (Outlet)

### Features:

- Two-stage regulator results in a more consistent inlet pressure between the first and second stage. This allows for a more consistent flow of gas to the appliance.
- 275,000 BTU Capacity
- Outlet pressure set at 11" W.C.
- Operating Temperature: -20°C - 50°C



C. 73827 (Without P.O.L.)



D. 73763

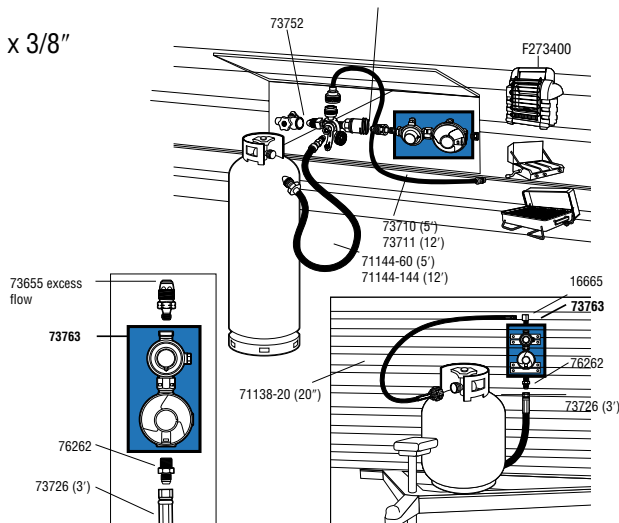


## Propane Two-Stage Regulator

(1/4" Female Pipe Thread (Inlet) x 3/8" Female Pipe Thread (Outlet))

### Features:

- Low Pressure
- Consistent Gas Pressure
- 11" W.C. Setting
- 1/2 PSI Output
- Operating Temperature: -20°C - 50°C



# REGULATORS



**Part#**

**Description**

**Application**

**A. 76136**

**Propane Low Pressure Regulator**

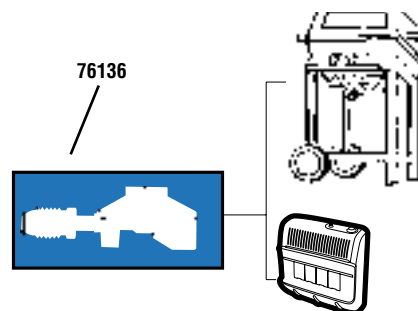
(3/8" Female Pipe Thread x Restricted Flow Soft Nose P.O.L.)

The size, shape and flow characteristics of this regulator makes it ideal for use on portable heaters, hot plates, camp stoves, and other propane appliances that require 75,000 BTU or less.

Will operate low pressure appliances.

**Features:**

- Low Pressure
- 11" W.C. Setting
- 1/2 PSI Output
- 75,000 BTU Capacity



**B. 73769**

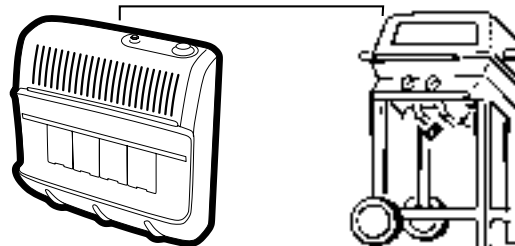
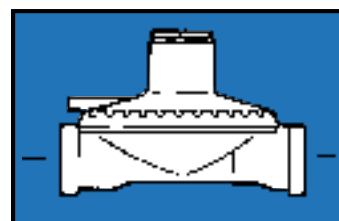
**Propane Low Pressure Regulator**

(1/4" Female Pipe Thread (Inlet) x 3/8" Female Pipe Thread (Outlet))

Most commonly used on low pressure appliances that are 140,000 BTU's or less.

**Features:**

- Low Pressure
- 11" W.C. Setting
- 1/2 psi output
- 140,000 BTU capacity



**C. 73719**

**Propane High Pressure Regulator**

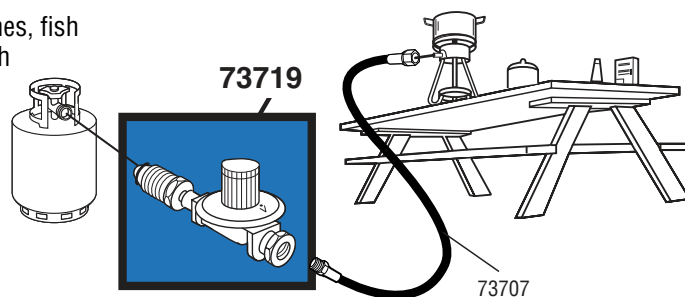
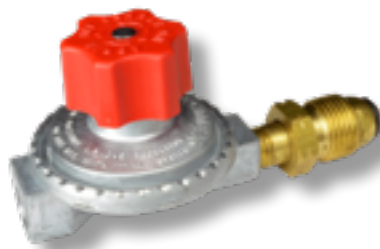
Range of 0-20 P.S.I.

(Full Flow Soft Nose P.O.L. x 1/4" Female Pipe Thread)

Most commonly used on torches, fish cookers, smokers or other high pressure appliances.

**Features:**

- High Pressure
- Range of 0-20 PSI
- 400,000 BTU Capacity
- UL Listed



# REGULATORS

Part#

Description

Application

A. 73759

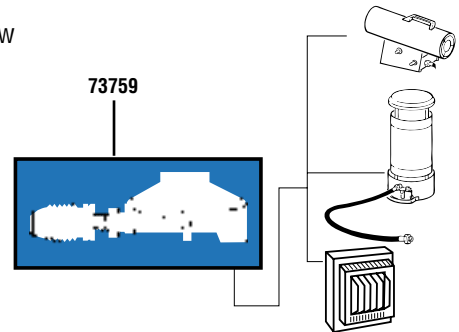


## 90° Propane Low Pressure Regulator

(3/8" Female Pipe Thread x Restricted Flow Soft Nose P.O.L.)

11" W.C. low pressure regulator designed with 90° angle.

Most commonly used on low pressure appliances.



B. 73761



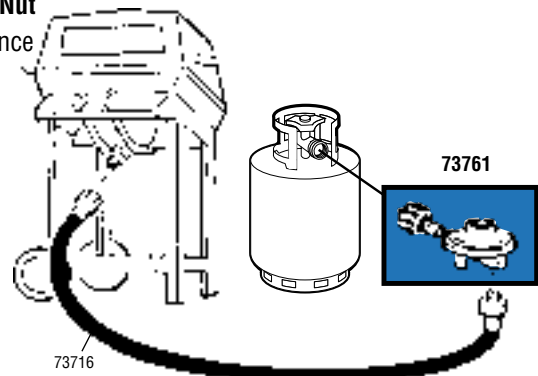
## 90° Low Pressure Regulator with Appliance End Fitting/Acme Nut

(3/8" Female Pipe Thread x Appliance End Fitting/Acme nut)

Most commonly used on propane gas grills.

### Features:

- Low Pressure
- Excess Flow/Thermal Shutoff
- 11" W.C. Setting
- 1/2 PSI Output
- 75,000 BTU Capacity



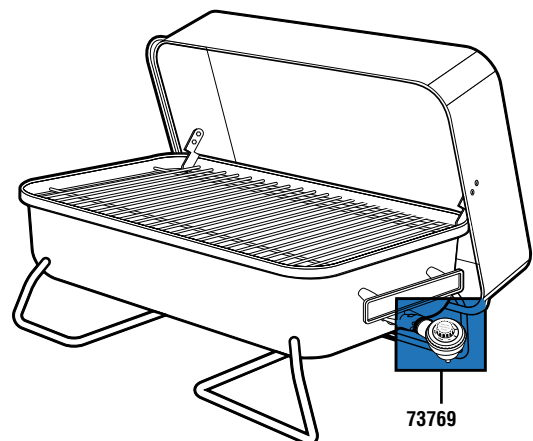
C. 73767



## Portable Propane Table Top Regulator

(1"-20 Female Throwaway Cylinder Thread x Orifice)

Most commonly used with portable table top grills.





# ACCESSORIES

**Part#**

**Description**

**Application**

**A. 71735**

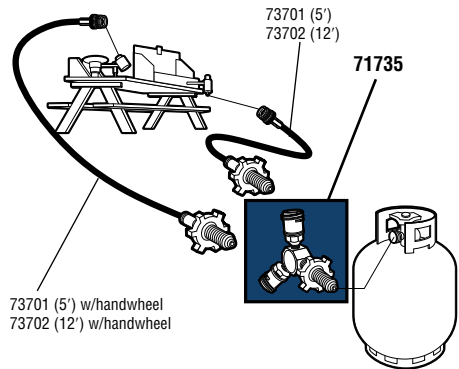


**Propane "Y" Female Adapter with Handwheel**

(Two Female P.O.L.'s w/ Acme Threads x Excess Flow Soft Nose P.O.L.)

Allows two appliances to be hooked up to a bulk cylinder (use with 73701 and 73702 or 73703-60 & 73703-144).

Connects to **NEW** and **OLD** propane connections.



**B. 73751**

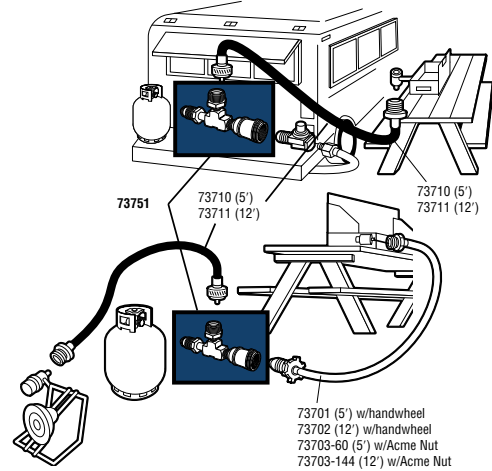


**Propane Adapter Tee**

(Excess Flow Soft Nose P.O.L. x 1"-20 Throwaway Cylinder Thread x Female P.O.L. w/Acme Thread)

Conveniently use your camper/trailer propane supply for lanterns, tabletop barbecue, etc. at parks, campsites, rest stops, etc. (use with hose assy. 73710-11 and 73701-02).

Connects to **NEW** and **OLD** propane connections.



**C. 73752**

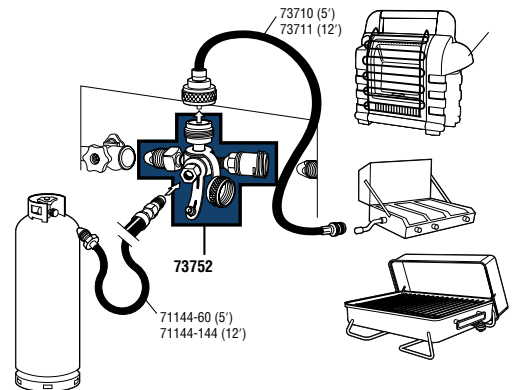


**Stay A While Tee**

(Excess Flow Soft Nose P.O.L. x 1"-20 Male Throwaway Cylinder Thread x Female P.O.L. w/ Acme Thread x 1/4" Inverted Female Flare)

Connects auxiliary propane cylinder to motor home and additional appliance.

Connects to **NEW** and **OLD** propane connections.

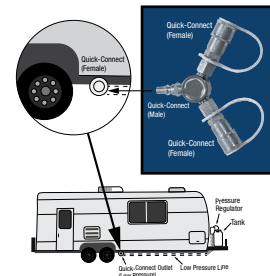


**D. 71716**



**Propane Double Quick Connect**

(2 1/4" Female Quick Connects x 1/4" Male Quick Connect) Hookup 2 low pressure propane appliances to an RV.

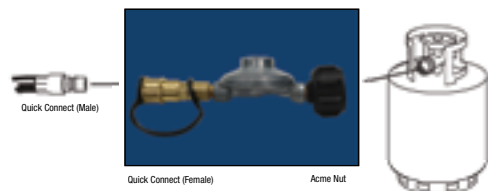


**E. 71718**



**Propane Tank Quick Connect**

(1/4" Female Quick Connect x Appliance Acme Nut) 11" wc regulator. 90°, 75,000 BTU max flow.





# ACCESSORIES

Part#	Description	Application
A. 73753	<p><b>90° Stay Flow Adapter</b>            (Excess Flow Soft Nose P.O.L. x 1"-20 Male Throwaway Cylinder Thread x Female P.O.L. w/Acme Thread)            Connects camper and additional appliance to 20 lb. propane tank.            Connects to <b>NEW</b> and <b>OLD</b> propane connections.</p>	
B. 73758	<p><b>Propane Bulk Cylinder Adapter with Handwheel</b>            (1"-20 Throwaway Cylinder Thread x Restricted Flow Soft Nose P.O.L.)            Allows appliances designed for use on throwaway cylinders, and with a hose/regulator assy. to be attached directly to a bulk tank (i.e., Mr. Camper, Coleman Co. Inc.®, or Century Primus® stove).</p>	<p>73758 restricted flow w/handwheel            76132 restricted flow</p>
C. 73760	<p><b>90° Elbow</b>            (Restricted Flow Soft Nose P.O.L. x 1"-20 Male Throwaway Cylinder Thread)            Most commonly used to connect appliances that are designed for throwaway cylinders, directly to a 20 lb. cylinder.  <b>Replacement Parts:</b>            1 73755: See page 12, item D            2 775: Consult factory**            3 76139</p>	<p>73760</p>
D. 71715	<p><b>Propane "Y" Male Adapter with Handwheel</b>            (Two 1"-20 Male Throwaway Cylinder Threads x Excess Flow Soft Nose P.O.L.)            Most commonly used to connect two appliances to one 20 lb. propane cylinder.            Use with Enerco stock #s 73710 &amp; 73711</p>	<p>Two Appliances - Same Fuel Source</p> <p>71715</p>







# ACCESSORIES

**Part#**

**Description**

**Application**

**A. 76495**



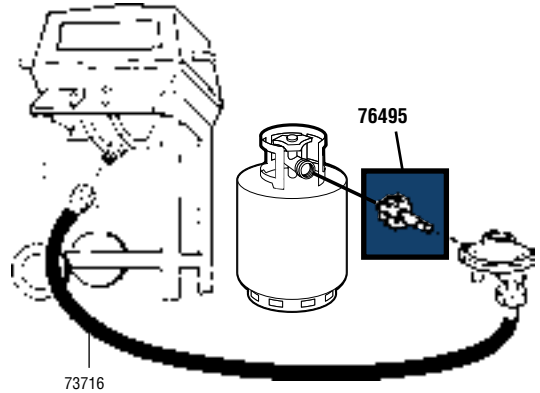
**Propane Grill Acme Nut (Black)**

(Appliance End Fitting/Acme Nut x 1/4" Male Pipe Thread)

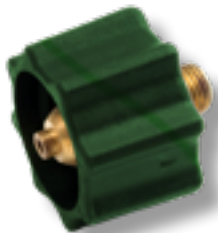
Most commonly used on propane gas grills with the new Type 1/Acme System.

**Features:**

- Thermal shutoff
- Excess flow safety
- 80,000 BTU Capacity



**B. 76497**

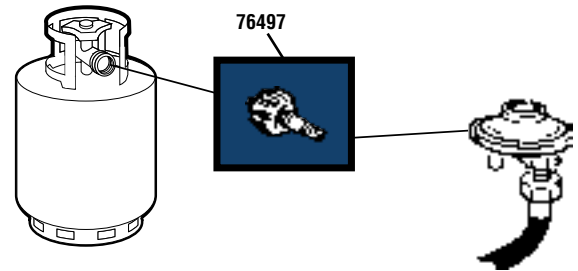


**Propane Acme Nut (Green)**

(Appliance End Fitting/Acme Nut x 1/4" Male Pipe Thread)

**Features:**

- 200,000 BTU capacity
- Excess flow safety
- Thermal shutoff



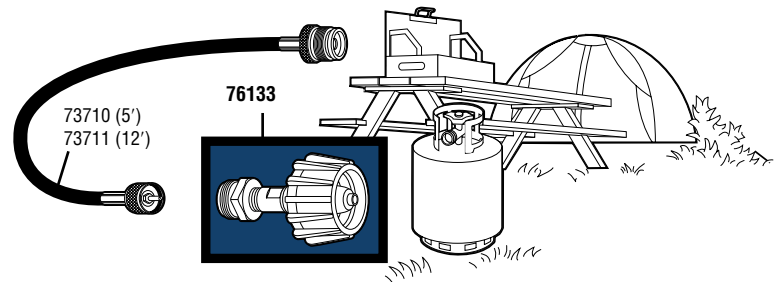
**C. 76133**



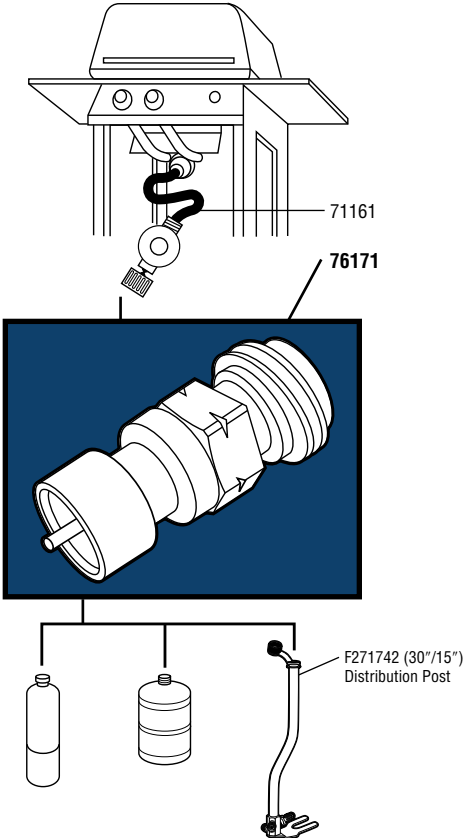
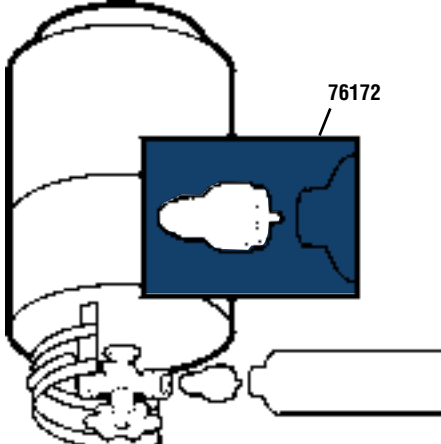
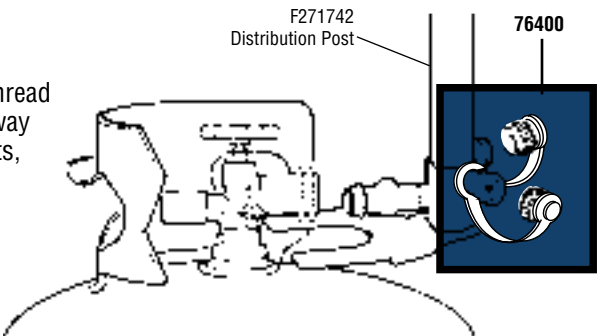
**Propane Bulk Cylinder Adapter with Appliance End Fitting/Acme Nut**

(Acme Nut x 1"-20 Male Throwaway Cylinder Thread)

Most commonly used to hook portable appliances to new propane tanks.



# ACCESSORIES

Part#	Description	Application
A. 76171	<p><b>Propane “Steak Saver” Adapter</b>                      (1”-20 Female Throwing Cylinder Thread x Female P.O.L. &amp; Acme Thread)                      Most commonly used with 1 lb. bottles to grills or distribution posts to grills.                      Connects to <b>NEW</b> and <b>OLD</b> propane connections.</p>	
B. 76172	<p><b>Propane Tank Refill Adapter</b>                      (Female Throwing Cylinder Thread x Soft Nose P.O.L.)                      Refills 1 lb. bottles in 1 minute or less.                      • PERSONAL USE ONLY</p>	
C. 76400	<p><b>Propane Brass Cap</b>                      (1”-20 Female Pipe Thread)                      Most commonly used to provide thread protection for 1”-20 Male Throwing Cylinder Threads (distribution posts, tees, etc.).</p>	





# ACCESSORIES

**Part#**

**Description**

**Application**

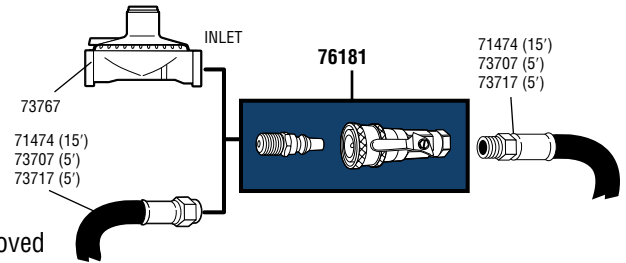
**A. 76181**

**Propane/Natural Gas Connector Kit  
w/Shutoff Valve & Full Flow Male Plug**

(1/4" Male Pipe Thread x 1/4"  
Female Pipe Thread)

**Features:**

- 80,000 BTU capacity
- 1/2 P.S.I. rated
- Excess flow safety
- Thermal shutoff
- Automatic shutoff when plug is removed
- Additional safety valve shutoff
- UL Listed



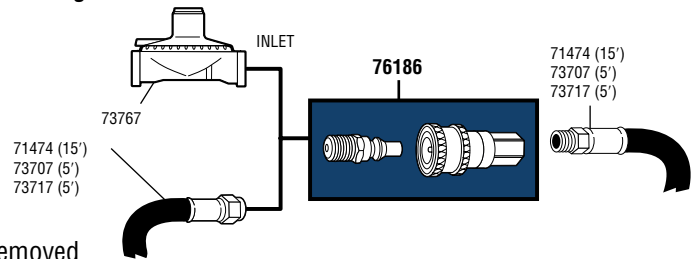
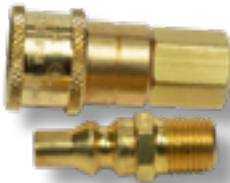
**B. 76186**

**Propane/Natural Gas 1/4" Quick  
Connector & Excess Flow Male Plug**

(1/4" Male Pipe Thread x  
1/4" Female Pipe Thread)

**Features:**

- 80,000 BTU capacity
- 250 P.S.I. rated
- Excess flow safety
- Thermal shutoff
- Auto shutoff when plug is removed
- UL Listed



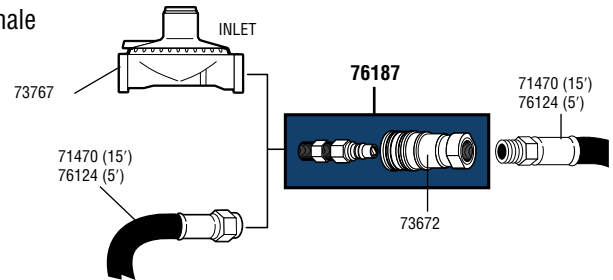
**C. 76187**

**Propane/Natural Gas 3/8" Quick  
Connector & Full Flow Male Plug**

(3/8" Male Pipe Thread x 3/8"  
Female Pipe Thread)

**Features:**

- All BTU Capacities
- 1/2 P.S.I. rated
- Automatic shutoff when plug is removed
- UL Listed



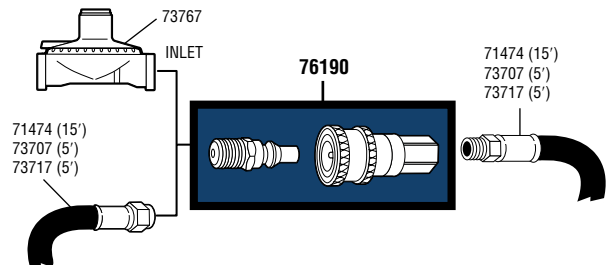
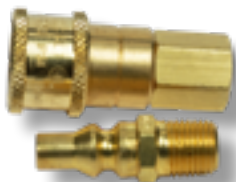
**D. 76190**

**Propane/Natural Gas Connector &  
Full Flow Male Plug**

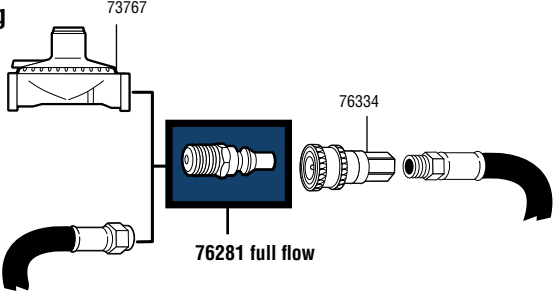
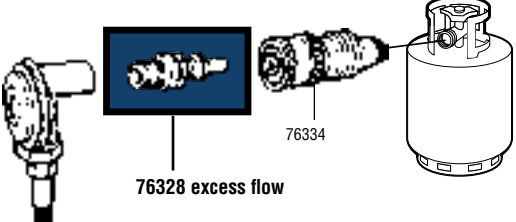
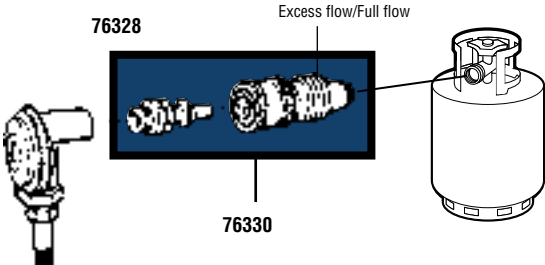
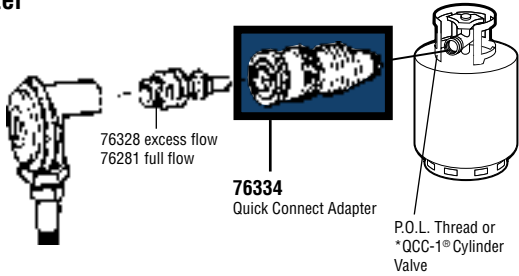
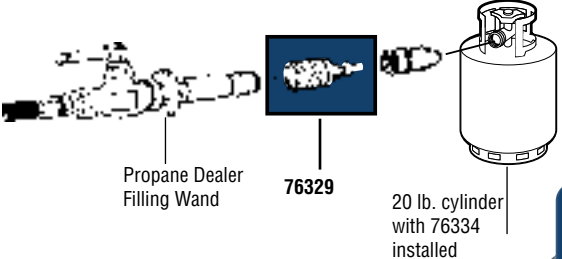
(1/4" Male Pipe Thread x 1/4"  
Female Pipe Thread)

**Features:**

- All BTU capacities
- 1/2 P.S.I. rated
- Automatic shutoff when plug is removed
- UL Listed



# ACCESSORIES

Part#	Description	Application
A. 76281	<p><b>Propane/Natural Gas Full Flow Male Plug</b>            (1/4" Male Pipe Thread x Full Flow Male Plug)</p> <p>Quick Connect Fitting for use with 76330 &amp; 76334, 76186 &amp; 76190</p> <p><b>Features:</b></p> <ul style="list-style-type: none"> <li>• Full Flow Plug (all BTU capacities)</li> <li>• No restrictions</li> </ul>	
B. 76328	<p><b>Propane/Natural Gas Excess Flow Male Plug</b>            (1/4" Male Pipe Thread x Male Plug Quick Connect Fitting)</p> <p>For appliances 80,000 BTU's or less. For use with 76334, 76330, 76186, 76190</p> <p><b>Features:</b></p> <ul style="list-style-type: none"> <li>• Thermal Shutoff</li> <li>• Excess Flow</li> <li>• 80,000 BTU capacity low pressure only</li> <li>• CSA Approved</li> <li>• UL Listed</li> </ul>	
C. 76330	<p><b>Propane Gas Coupling Adapter Kit</b>            (1/4" Male Pipe Thread x Male Plug) (Quick Connect x Soft Nose P.O.L.)</p> <p>Most commonly used to upgrade old propane gas grill connections to meet the new safety standards.</p> <p><b>Features:</b></p> <ul style="list-style-type: none"> <li>• UL Listed</li> <li>• Gas Mate Series</li> </ul>	
D. 76334	<p><b>Propane Gas Grill "Quick Connect" Adapter</b>            (Quick Connect x Soft Nose P.O.L.)</p> <p>Most commonly used on spare cylinder users of Weber, Ducane, PGS or other grills using the Gas Mate II System.</p> <p><b>Features:</b></p> <ul style="list-style-type: none"> <li>• UL Listed</li> <li>• Gas Mate Series</li> </ul>	
E. 76329	<p><b>Propane Cylinder Fill Plug</b></p> <p>For use with Mr. Heater's Gas Mate II Quick Connects (7/8" Female P.O.L. x Male Plug)</p> <p>Use <b>L.P. Gas Fill Plug</b> for filling the tank with the <b>Gas Mate II</b> in place</p>	



# ACCESSORIES

**Part# Description Application**

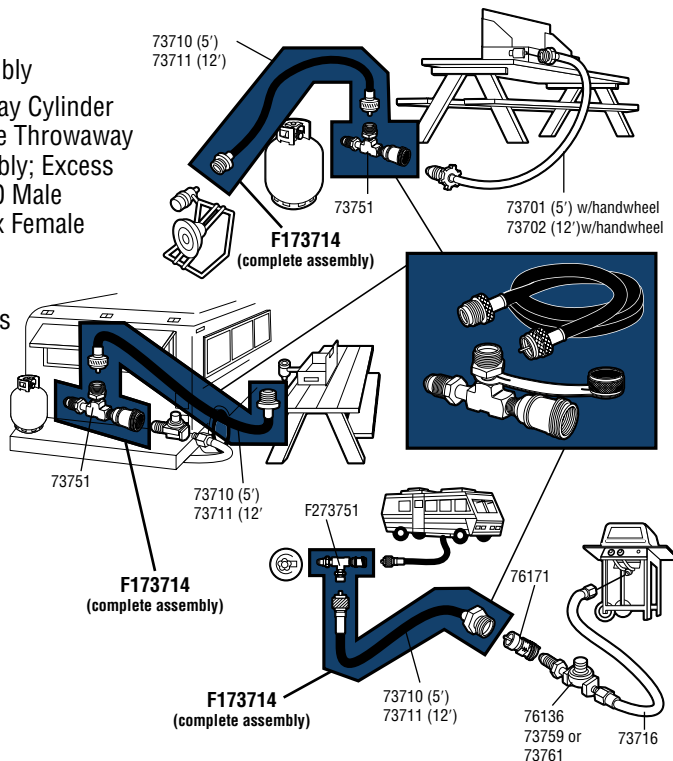
**A. F173714**



**Stay Flow**

12' Propane Hose/Tee Assembly  
(Swivel 1"-20 Male Throwaway Cylinder Thread x Swivel 1"-20 Female Throwaway Cylinder Thread x Tee Assembly; Excess Flow Soft Nose P.O.L. x 1"-20 Male Throwaway Cylinder Thread x Female P.O.L. and Acme Thread)

Most commonly used in recreation vehicle applications to provide an additional source of propane to high pressure appliances. May also be used as a dual source off of a 20 lb. propane cylinder.



**B. 73733**



**Stay A While**

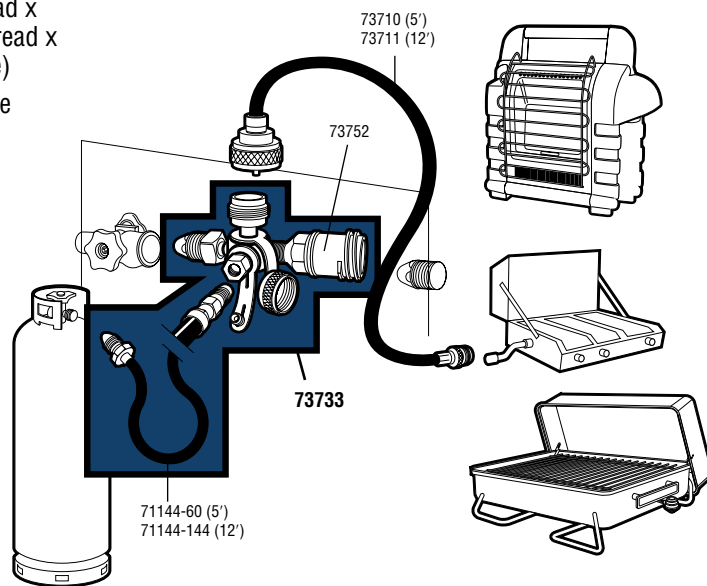
(5' Propane Flexible Pigtail Hose Assembly: Soft Nose Excess Flow P.O.L. x 1/4" Inverted Male Flare; Stay A While Tee: Excess Flow Soft Nose P.O.L. x 1"-20 Male Throwaway Cylinder Thread x Female P.O.L. w/Acme Thread x 1/4" Inverted Female Flare)

Connects auxiliary propane cylinder to motor home.

Tee Adapter connects to **NEW** and **OLD** propane connections.

**Replacement Parts:**

- 1 73752:
- 2 71144-60 (5'):
- 71144-144 (12'):





# ACCESSORIES

Part#

Description

Application

A. 73734

## Stay A While Deluxe

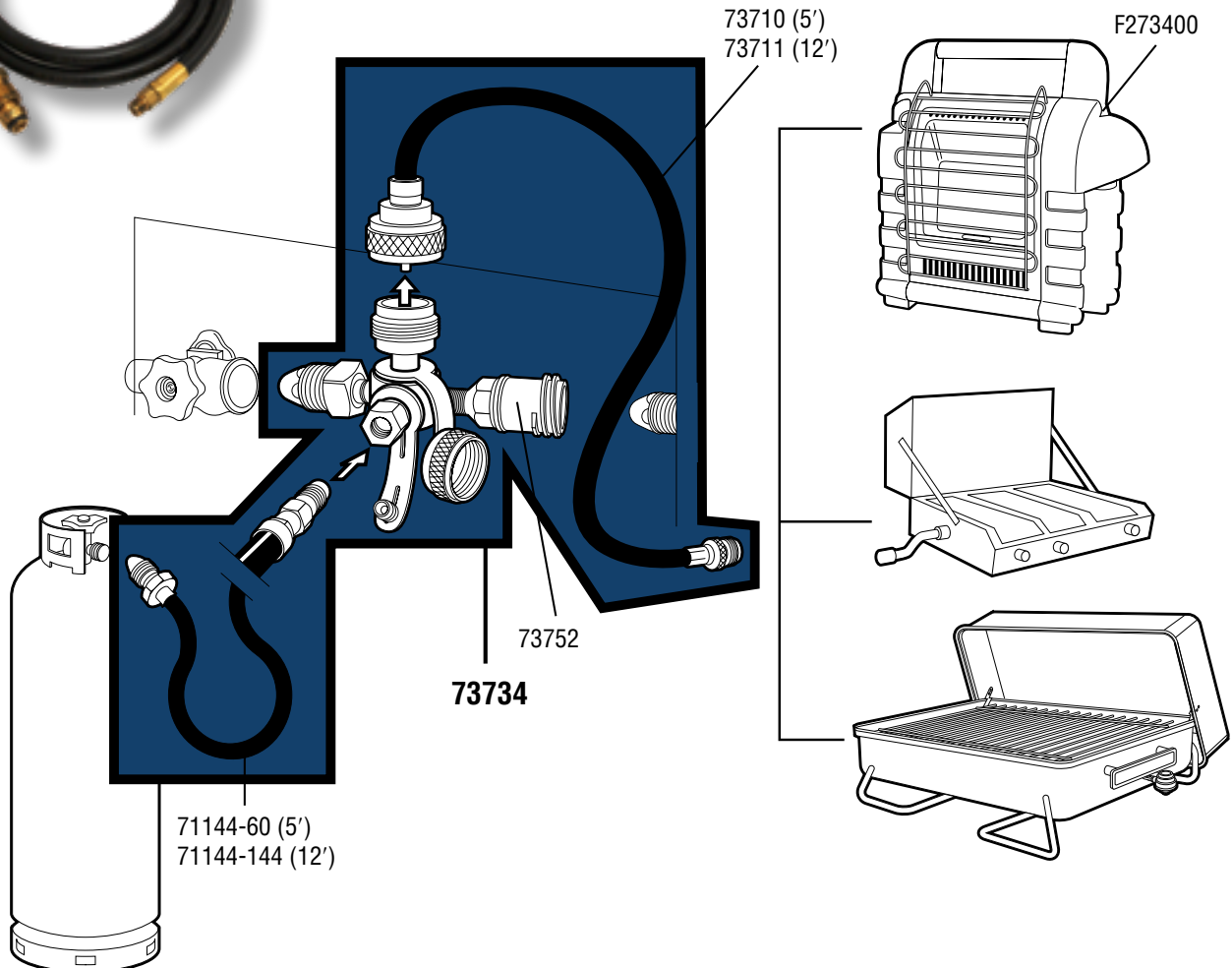
(12' Propane Hose Assembly: Swivel 1"-20 Male Throwaway Cylinder Thread x Swivel 1"-10 Female Throwaway Cylinder Thread; 5' Hose Assembly: Excess Flow Soft Nose P.O.L. x 1/4" Inverted Male Flare; Stay A While Tee: Excess Flow Soft Nose P.O.L. x 1"-20 Male Throwaway Cylinder Thread x Female P.O.L. w/Acme Thread x 1/4" Inverted Female Flare)

Connects auxiliary propane cylinder to motor home and additional appliance.

Tee Adapter connects to **NEW** and **OLD** propane connections.

### Replacement Parts:

- 1 73711
- 2 73752
- 3 71144-60 (5')
- 71144-144 (12')





# ACCESSORIES

Part#

Description

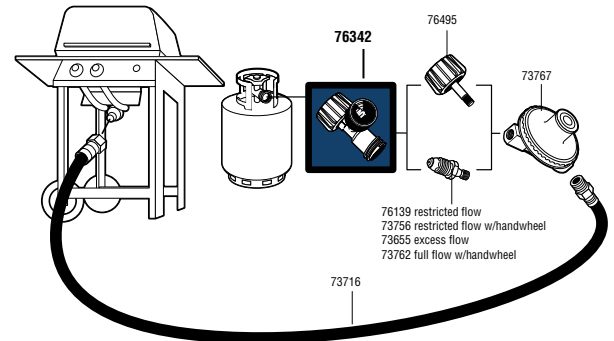
Application

A. 76342



**Propane Gauge**  
(Appliance End Fitting/Acme Nut x Acme Thread and Female P.O.L.)

Detects dangerous leaks in propane system. Gas gauge that also has leak detection capability.



B. F271742

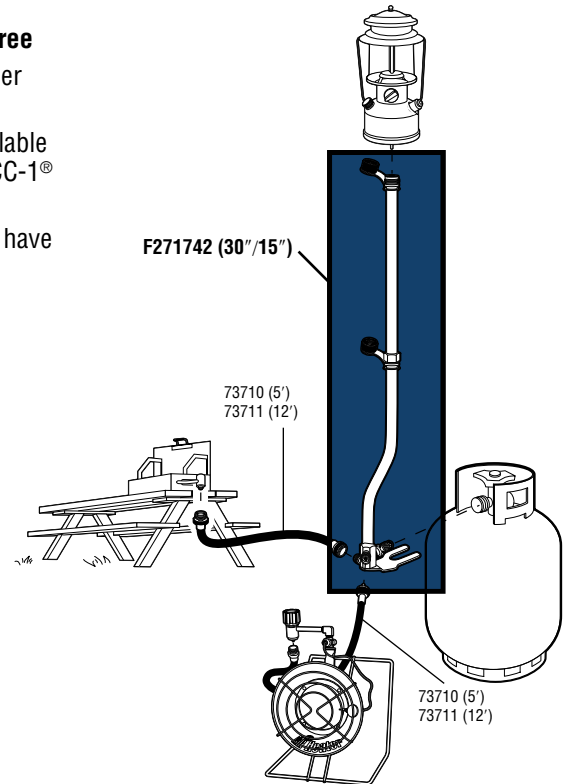


**30"/15" Propane Distribution Post/Tree**

(Three 1"-20 Male Throwaway Cylinder Threads x Full Flow Soft Nose P.O.L.)

Hook up 3 appliances to a single refillable bulk cylinder. Can hook up to new QCC-1® and old style cylinders.

- The 30" post allows for a lantern to have a larger spread pattern.
- The 15" post focuses the light in a smaller area.
- Includes Carry/Storage Bag

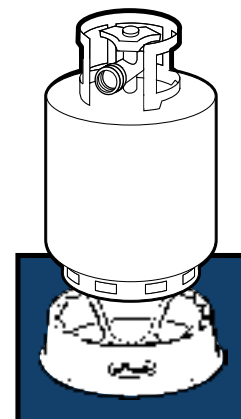


C. F173169-6 (6 PACK)  
F173169-30 (30 PACK)



**TankFoot® Tank Stabilizer**

Fits 20 lb., 30 lb. and 40 lb. cylinders  
Reduces risk of tipping cylinder while transporting in your R.V., pick-up, car, etc.



F173169  
(Sold in 6 or 30 packs only)





# ACCESSORIES

**Part#**

**Description**

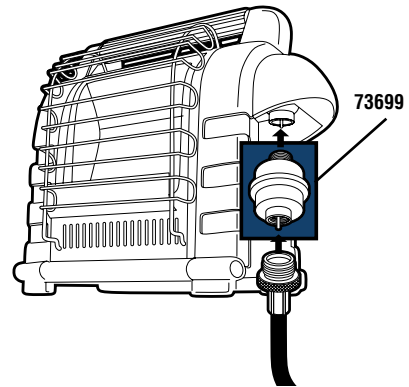
**Application**

**A. 73699**



**Fuel Filter**

For use with the Mr. Heater Buddy, Big Buddy and Tough Buddy Heaters. Most commonly used with a bulk cylinder and hose assembly.

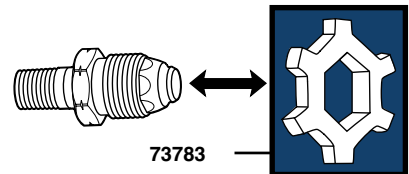


**B. 73783**



**Handwheel**

For most Mr. Heater Products  
 • Can be used with other P.O.L.'s that use a 7/8" open end wrench

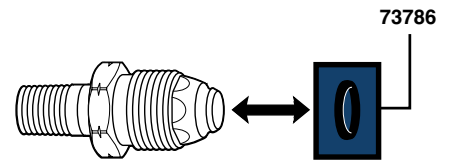


**C. 73786**



**O-Ring**

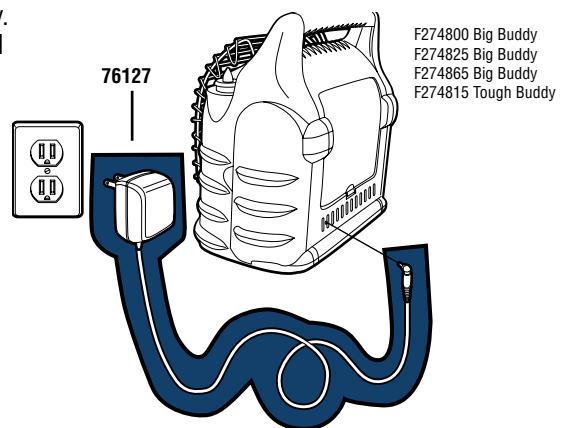
For most Mr. Heater Products



**D. 76127**

**6V/800mA Power Adapter**

For use with Mr. Heater's Big and Tough Buddy Heaters. Uses household electricity. Also powers products requiring 6VDC and up to 800mA current.



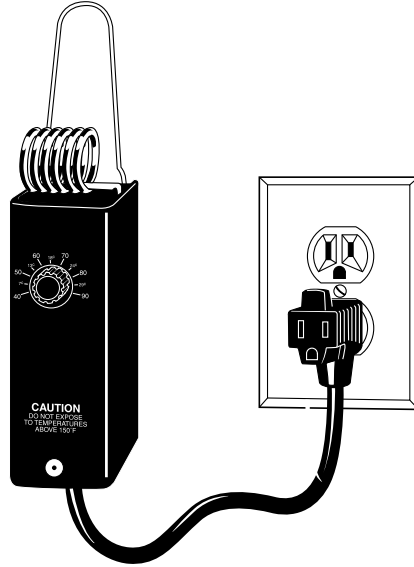
F274800 Big Buddy  
 F274825 Big Buddy  
 F274865 Big Buddy  
 F274815 Tough Buddy

# ACCESSORIES

Part#	Description	Application
-------	-------------	-------------

A. 61210

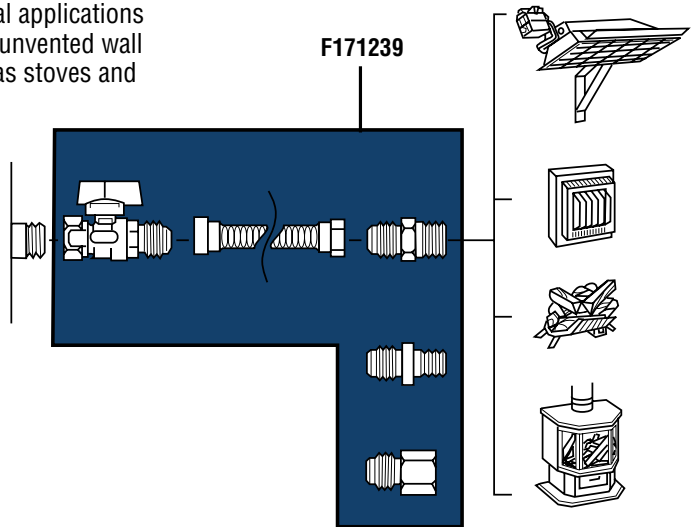
**Thermostat – For Portable Kerosene Forced Air Heaters**



B. F171239

**“One Stop” Universal Gas Appliance “Hook-Up” Kit**

Everything needed for installation. Complete gas hook-up of most gas appliances. Typical applications include gas logs, unvented wall mount heaters, gas stoves and garage heaters.





INDEX

61210	Thermostat	29
71138-20	20' Propane Hose Assembly	4
71144-144	12' Propane Hose Assembly	4
71144-60	5' Propane Hose Assembly	4, 25
71149-36	3' Propane Hose Assembly	4, 25
71149-72	6' Propane Hose Assembly	4
71158-12	12" Propane Acme Flexible Pigtail Hose	5, 26
71158-15	15" Propane Acme Flexible Pigtail Hose	5, 26
71158-18	18" Propane Acme Flexible Pigtail Hose	5, 26
71161	22" Repl. Propane BBQ Hose & Regulator Assembly with Appliance End Fitting/Acme Nut	5
71163-30	30' Propane Hose Assembly	5
71163-60	5' Propane Hose Assembly	5
F171239	"One Stop Universal Gas Appliance "Hook-Up" Kit	29
71470	15' Propane Appliance Extension Hose Assembly	6
71474	15' Propane Appliance Extension Hose Assembly	6
71715P	Propane "Y" Male Adapter with Handwheel	19
71716	Propane Double Quick Connect	18
71718	Propane Tank Quick Connect	18
71735P	Propane "Y" Female Adapter with Handwheel	18
F271742	30"/15" Propane Distribution Post/Tee	27
71802	Big/Tough Buddy 12' RV Hose	6
71803	Big/Tough Buddy 12' RV Hose with Regulator	7
73071	5' Propane Hose/Regulator Assembly	7
73072	12' Propane Hose/Regulator Assembly	7
F173169	TankFoot Tank Stabilizer (30 PACK) & (6 PACK)	27
73655	Excess Flow Soft Nose P.O.L. x 1/4" Male Pipe Thread w/Handwheel	12
73699	Fuel Filter	28
73701	5' Propane Hose/Regulator Assembly	7
73702	12' Propane Hose Assembly	7
73703-144	12' Propane Hose Assembly	8
73703-60	5' Propane Hose Assembly	8
73704	10' Buddy Series Propane Hose Assembly	8
73707	5' Propane Hose Assembly	8
73707-108	9' Propane Hose Assembly	8
73710	5' Propane Hose Assembly	9, 25
73711	12' Propane Hose Assembly	9, 25
F173714	Stay Flow	24
73716	22" Propane Replacement Barbecue Hose	9
73717	5' Propane Appliance Extension Hose Assembly	9
73718	8' Universal Propane Hose & Gauge Assembly	8
73719	Propane High Pressure Regulator	16
73720P	12' Natural Gas Patio Hose Assembly	10
73729	1/4" Male Pipe Thread x 1/4" Inverted	12
F173733	Stay A While	24
F173734	Stay A While Deluxe	25
F173735	Stay Flow Plus	26
F173737	Tank Hook Up Kit	26

73751P	Propane Adapter Tee	18, 25
73752	Stay A While Tee	18, 25
73753	90° Stay Flow Adapter	19
73754	1/4" Male Pipe Thread x 1"-20 Female Throwaway Cylinder Thread	12
73755	1/4" Male Pipe Thread x 1"-20 Male Throwaway Cylinder Thread	12
73758	Propane Bulk Cylinder Adapter with Handwheel	19
73759	90° Propane Low Pressure Regulator	17
73760	90° Elbow	19
73761	90° Low Pressure Regulator with Appliance End Fitting/Acme Nut	17
73762	1/4" Male Pipe Thread x Full Flow Soft Nose P.O.L. w/Handwheel	13
73763	Propane Two-Stage Regulator	15
73766	Propane Auto-Changeover Two-Stage Regulator (with cover & bracket)	15
73767	Portable Propane Table Top Regulator	17
73769	Propane Low Pressure Regulator	16
73783	Handwheel	28
73786	O-Ring	28
73791	1/4" Male Pipe Thread x Female P.O.L. w/Acme Thread	13
73827	Horizontal Propane Two-Stage Regulator (Without P.O.L.)	15
73863	Horizontal Propane Two-Stage Regulator (With P.O.L.)	15
76124	5' Propane Hose Assembly	10
76127	6V/800mA Power Adapter	28
76129	9/16" Left Hand Thread x Restricted Flow Soft Nose P.O.L. w/Handwheel	13
76130	9/16" Left Hand Male Thread x 1"-20 Throwaway Cylinder Thread w/Shutoff	11
76133	Propane Bulk Cylinder Adapter with Appliance End Fitting/Acme Nut	20
76136	Propane Low Pressure Regulator	16
76139	1/4" Male Pipe Thread x Restricted Flow Soft Nose P.O.L. w/Handwheel	11
76140	Propane Male Throwaway Cylinder Adapter	11
76148	5' Propane Hose Assembly	10
76152	1/4" Male Pipe Thread x 9/16" Left Hand Male Thread	14
76153	3/8" Male Pipe Thread x 9/16" Left Hand Male Thread	14
76154	9/16" Left Hand Male Pipe Thread x 9/16" Left Hand Male Thread	14
76171	Propane "Steak Saver" Adapter	21
76172	Propane Tank Refill Adapter	21
76181	Propane/Natural Gas Connector Kit w/Shutoff Valve & Full Flow Male Plug	22
76186	Propane/Natural Gas 1/4" Quick Connector & Excess Flow Male Plug	22
76187	Propane/Natural Gas 3/8" Quick Connector & Full Flow Male Plug	22
76190	Propane/Natural Gas Connector & Full Flow Male Plug	22
76262	3/8" Male Pipe Thread x 3/8" Male Flare	14
76281	Propane/Natural Gas Full Flow Male Plug	23
76328	Propane/Natural Gas Excess Flow Male Plug	23
76329	Propane Cylinder Fill Plug	23
76330	Propane Gas Coupling Adapter Kit	23
76334	Propane Gas Grill "Quick Connect" Adapter	23
F176342	Propane Gauge	27
76400	Propane Brass Cap	21
76495	Propane Grill Acme Nut (Black)	20
76497	Propane Acme Nut (Green)	20



# Journey<sup>®</sup> SERIES

## CERTIFIED INDOOR SAFE



Feet included

### CATALYTIC HEATER FEATURES

- Indoor safe
- Not for use in Massachusetts or Canada
- Not for use in dwelling home
- Low oxygen shut-off system (ODS)
- Accidental tip-over safety shut-off
- No electricity required
- Not for permanent installation
- Not for use in wet conditions
- Not for use in windy conditions
- For use in dry environments only
- Runs on 20 lb. propane tank  
(Never bring 20 lb. propane tank indoors)
- Certified



**NEW**



Dust shield included

Model #	ECAT3LP	ECAT6LP	ECAT8LP
Stock #	F109150	F109250	F109350
BTU Rating	3,000	6,000	8,000
Heats Up To: (Approx. Sq. Ft.)	100	200	300



22" propane hose assembly included



### PROPANE HOSE ASSEMBLIES

Stock # - 71161-60 = 60"

Stock # - 71161-144 = 144"

(Regulator with Appliance End Fitting/Acme Nut x 3/8" Female Flare) - For Type 1 (QCC-1©) propane systems.



### PROPANE 90° SWIVEL ELBOW

Stock # -76253

3/8" Swivel Female Flare x 3/8" Male Flare

Portable catalytic heaters are not designed for permanent installation or for use above an altitude of 7,000 ft. Always check local codes for permitted uses.

**NOTICE:** Not for use in a "dwelling home" in California  
\* Not for use in Massachusetts or Canada.

NEVER use third party accessories or attachments with this heater (including attachments for warming or cooking); doing so will void the product warranty, is extremely dangerous, and may result in personal injury or death to you or others.

# EGi enerco group inc.



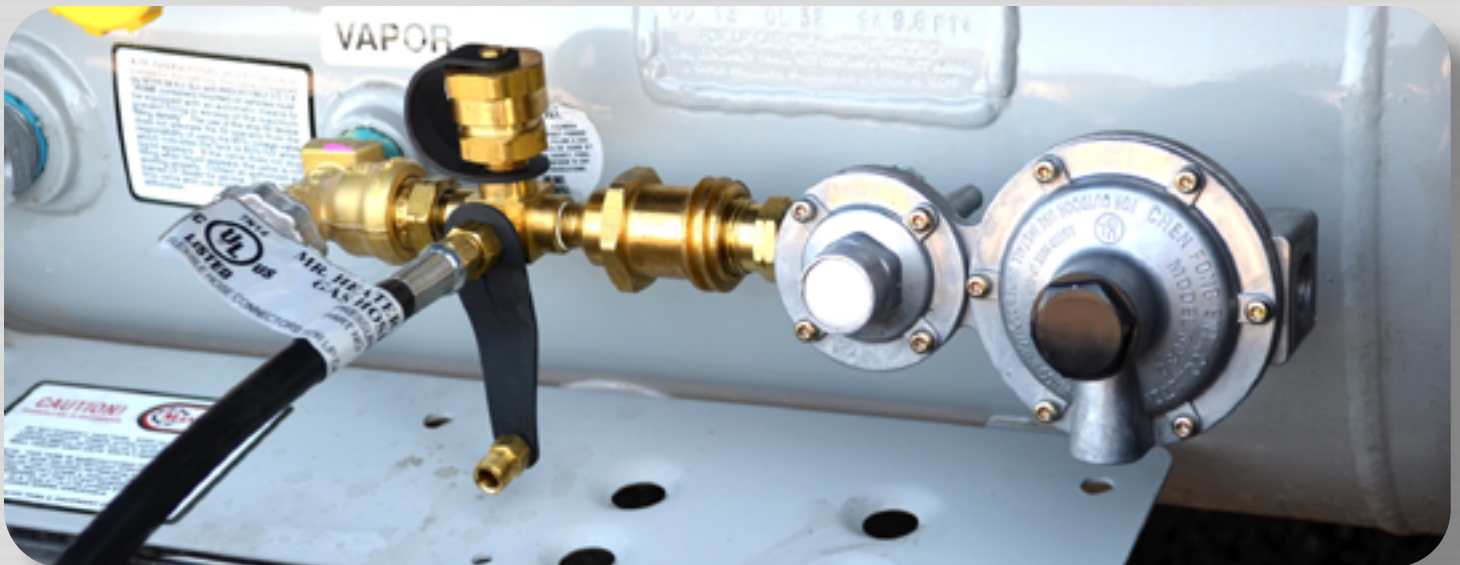
HEATSTAR



ENERCO

FLEX-TECH

**WE ARE AMERICA'S LEADING BRAND FOR  
PROPANE HOSES, FITTINGS,  
REGULATORS AND ACCESSORIES.**



*Enerco has assembled the industries most complete line of high quality propane hoses, fittings, regulators and accessories. These products allow connections to all types of high and low pressure appliances in the camping, grilling, R.V., and outdoor markets. Enerco's accessories are designed to work universally with all brands of propane appliances. Each individual package explains product uses and make it easy to find the right accessories.*

*All Enerco's accessories are assembled in the USA .*

4560 West 160th Street • Cleveland, OH 44135  
P.O. Box 6660 • Cleveland, Ohio 44101-1660  
216/916-3000 • Toll Free: 866.447.2194  
FAX: 216/916-3012 • Toll Free Fax: 800/321-0552  
[www.enerco.com](http://www.enerco.com)